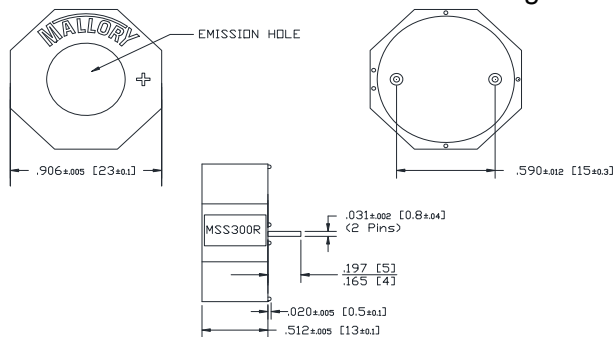


**Sales Outline Drawing**

Specifications:	cUL Recognized as Capable of meeting Medical Spec IEC60601-1-8
Coil Impedance:	8Ω @ 1-volt
Rated Wattage:	0.25 Watts (2Vp-p Sine Wave, 176mA)
Max Wattage:	0.5 Watts
Loudness @ 10cm:	85 to 95 dB(A) Typ.
Recommended Drive Frequency:	325 Hz
Harmonics Present:	4 peaks within ± 15dB from 1 - 4 kHz
Housing Material:	Valox (UL94V-0), Octagonal, Black
Storage Temperature:	-40° to +85° C
Operating Temperature:	-30° to +65° C
cUL Recognition:	Approved as of Code Date: 1548 3
Weight Typical:	5.0g
Options:	Please contact factory.

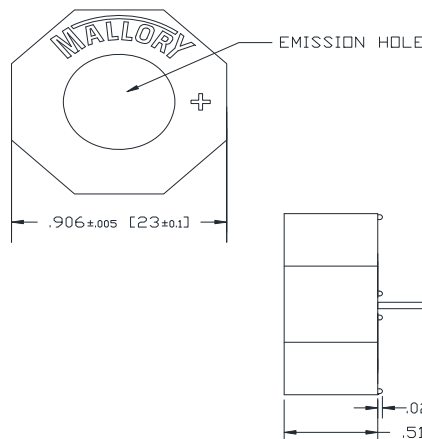
**Dimensions:** Inches (mm) **cUL Recognized** **ROHS Compliant**  
 PATENT NUMBER: 7880593

Before Code Date: 1546 Not cUL Recognized



NOTE A:  
 TERMINALS - .031" DIA. NICKEL/TIN COATED BRASS.  
 NOTE B:  
 MOUNTING- INSERT INTO PRINTED CIRCUIT BOARD AND HAND OR MACHINE SOLDER.  
 UNITS ARE SUITABLE FOR WAVE SOLDERING. BOARDS ARE NOT SUITABLE FOR WASH.  
 RECOMMENDED MAXIMUM TEMPERATURE AND TIME DURATION FOR WAVE SOLDERING IS  
 +270°C AND 3 SECONDS RESPECTIVELY.

After Code Date:



NOTE A:  
 TERMINALS - .031" DIA. NICKEL/TIN COATED BRASS.  
 NOTE B:  
 MOUNTING- INSERT INTO PRINTED CIRCUIT BOARD AND HAND OR MACHINE SOLDER.  
 UNITS ARE SUITABLE FOR WAVE SOLDERING. BOARDS ARE NOT SUITABLE FOR WASH.  
 RECOMMENDED MAXIMUM TEMPERATURE AND TIME DURATION FOR WAVE SOLDERING IS  
 +270°C AND 3 SECONDS RESPECTIVELY.

1547 cUL Recognized

