

Phoenix Contact Inc.
P.O. BOX 4100
Harrisburg, PA 17111-0100
Phone: 717-944-1300

Product Discontinuation

PDN-PCC-7510-2022

Business Unit	Product Line Code	Type of Change	Action	Date of Issue
PCC - PCB Connectors	AAN	Product Discontinuation	Notify Distributors and Field	4/27/2022

Phoenix Contact's factory has announced the following product(s) is going to be discontinued. Existing specifications will be met or exceeded. Technical support of the discontinued product will continue, as required. Please review and acknowledge this document and take the appropriate action with respect to your existing inventory and ordering replacement parts.

Description for Product Discontinuation

Phoenix Contact aims to provide customers with state-of-the-art products for their application. This correspondence is therefore notice of the discontinuation of the PLH 5 and PLA 5 series terminal blocks. Alternative items are available in the LPT 6 and LPTA 6 series. The technical performance data of these items is the same or better. The sizes and the pin layout in the start position are different. For a comparison of the series, refer to the comparison drawings in this document. As standard, the PLH 5 and PLA 5 series have zigzag pinning that starts at the front left (position 1). The pinning for the LPT 6 and LPTA 6 series starts at the rear left. If you require identical pinning, we will be happy to implement this for you as a customer-specific version. Other versions, e.g., printed items and colors, can also be requested. The final order date of the PLH 5 and PLA 5 series are January 31, 2023, with a final delivery date of July 31, 2023. Thank you for your understanding, and we look forward to continuing our successful cooperation.

Stock Status

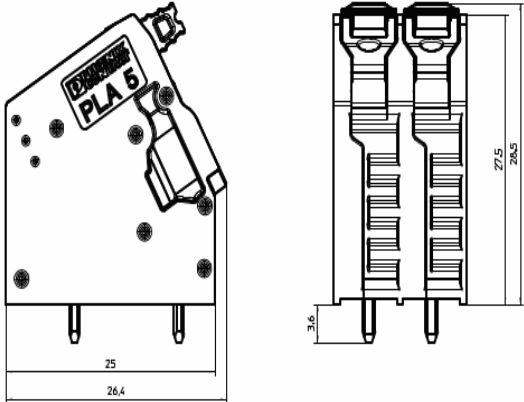
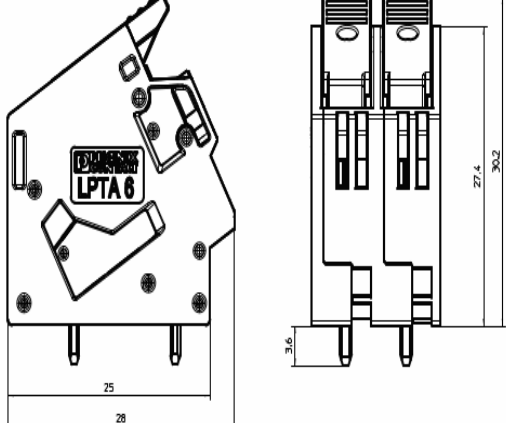
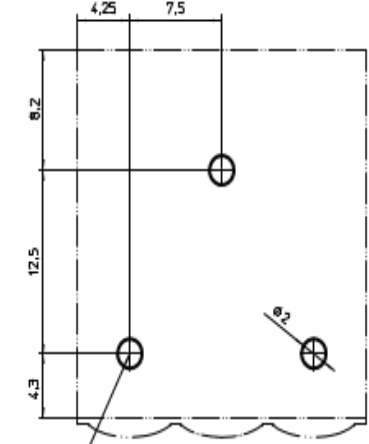
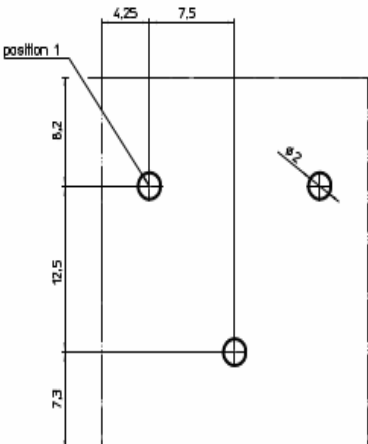
Can existing stock still be used?	Yes
Is mixture of stock acceptable?	No

Transaction Dates

Last Buy from Phoenix Contact:	1/31/2023
Last Scheduled Ship from Phoenix Contact:	7/31/2023



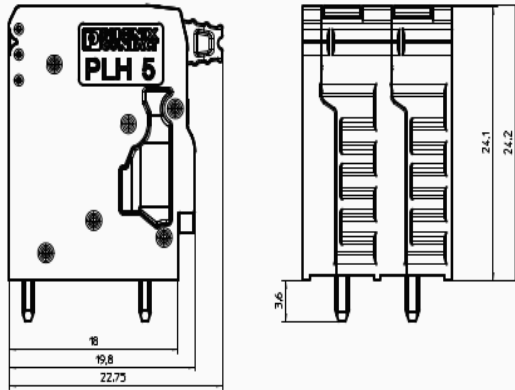
Product Discontinuation

Previous Product	New Product
<p data-bbox="235 451 552 493">PLA 5/..-7,5-ZF</p> 	<p data-bbox="998 451 1323 493">LPTA 6/..-7,5-ZB</p> 
 <p data-bbox="178 1648 251 1669">position 1</p> <p data-bbox="446 1669 576 1711">Footprint for information only</p>	 <p data-bbox="966 1228 1039 1249">position 1</p> <p data-bbox="1063 1690 1193 1732">Footprint for information only</p>

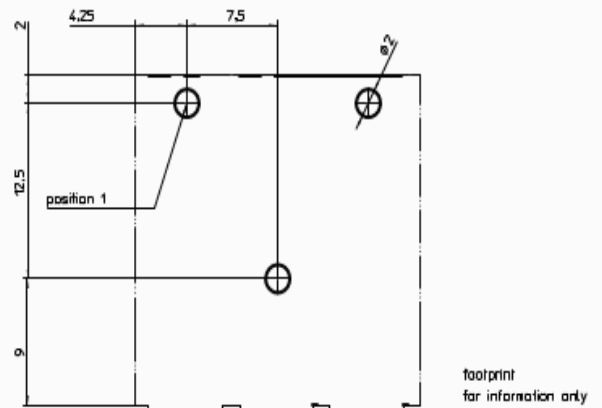
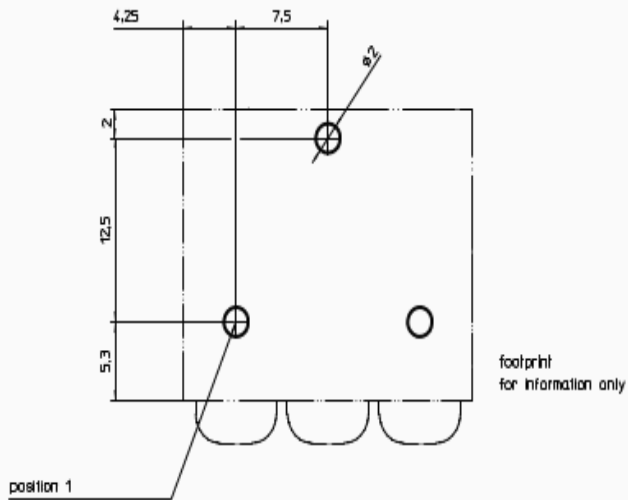
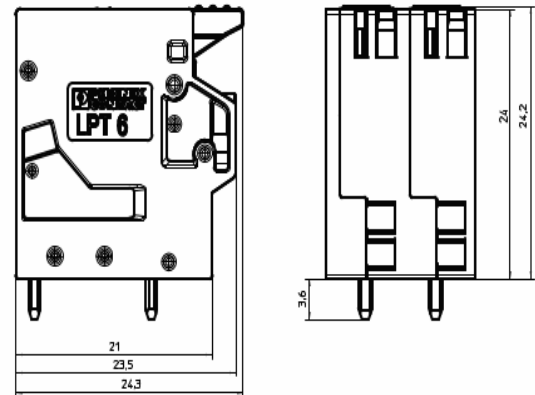
Phoenix Contact Inc.
P.O. BOX 4100
Harrisburg, PA 17111-0100
Phone: 717-944-1300

Product Discontinuation

PLH 5/..-7,5 ZF



LPT 6/..-7,5 ZB





Phoenix Contact Inc.
P.O. BOX 4100
Harrisburg, PA 17111-0100
Phone: 717-944-1300

Product Discontinuation

Should you have any issues with the timeline or content of this product discontinuation, please contact Phoenix Contact using the information below. Customers should acknowledge receipt of the PDN within 30 days of delivery of the PDN; provided, however, that the failure to acknowledge receipt does not affect the product discontinuation or the effective date thereof.

Contact Info:

Collin Long
clong@phoenixcontact.com

Thank you,

James Dunbar

Senior Product Marketing Manager

Product Discontinuation

Discontinued Part #	Type Description	Replacement Part #	Type Description
1792096	PLH 5/ 1-7,5	1098166	LPT 6/ 1-7,5
1065057	PLH 5/ 1-7,5 RD		
1065058	PLH 5/ 1-7,5 BK		
1706926	PLH 5/ 2-7,5 MC RD,BU LCGY		
1708037	PLH 5/ 4-7,5-ZF MIXRD/BK/RD		
1792106	PLH 5/ 2-7,5-ZF	1098167	LPT 6/ 2-7,5-ZB
1792119	PLH 5/ 3-7,5-ZF	1098168	LPT 6/ 3-7,5-ZB
1792122	PLH 5/ 4-7,5-ZF	1098169	LPT 6/ 4-7,5-ZB
1792135	PLH 5/ 5-7,5-ZF	1098170	LPT 6/ 5-7,5-ZB
1792148	PLH 5/ 6-7,5-ZF	1098171	LPT 6/ 6-7,5-ZB
1792151	PLH 5/ 7-7,5-ZF	1098172	LPT 6/ 7-7,5-ZB
1792164	PLH 5/ 8-7,5-ZF	1098173	LPT 6/ 8-7,5-ZB
1792177	PLH 5/ 9-7,5-ZF		
1792180	PLH 5/10-7,5-ZF		
1792193	PLH 5/11-7,5-ZF		
1792203	PLH 5/12-7,5-ZF		
1100418	PLA 5/ 4-7,5-ZF MC BK/RD		
1712218	PLA 5/ 2-7,5-ZF MC BK/RD		
1792216	PLA 5/ 1-7,5	1098174	LPTA 6/ 1-7,5
1792229	PLA 5/ 2-7,5-ZF	1098175	LPTA 6/ 2-7,5-ZB
1792232	PLA 5/ 3-7,5-ZF	1098176	LPTA 6/ 3-7,5-ZB
1792245	PLA 5/ 4-7,5-ZF	1098177	LPTA 6/ 4-7,5-ZB
1792258	PLA 5/ 5-7,5-ZF	1098178	LPTA 6/ 5-7,5-ZB
1792261	PLA 5/ 6-7,5-ZF	1098179	LPTA 6/ 6-7,5-ZB
1792274	PLA 5/ 7-7,5-ZF	1098180	LPTA 6/ 7-7,5-ZB
1792287	PLA 5/ 8-7,5-ZF	1098181	LPTA 6/ 8-7,5-ZB
1792290	PLA 5/ 9-7,5-ZF		
1792300	PLA 5/10-7,5-ZF		
1792313	PLA 5/11-7,5-ZF		
1792326	PLA 5/12-7,5-ZF		
1847601	PLA 5/ 2-7,5-ZF MC RD/BK		