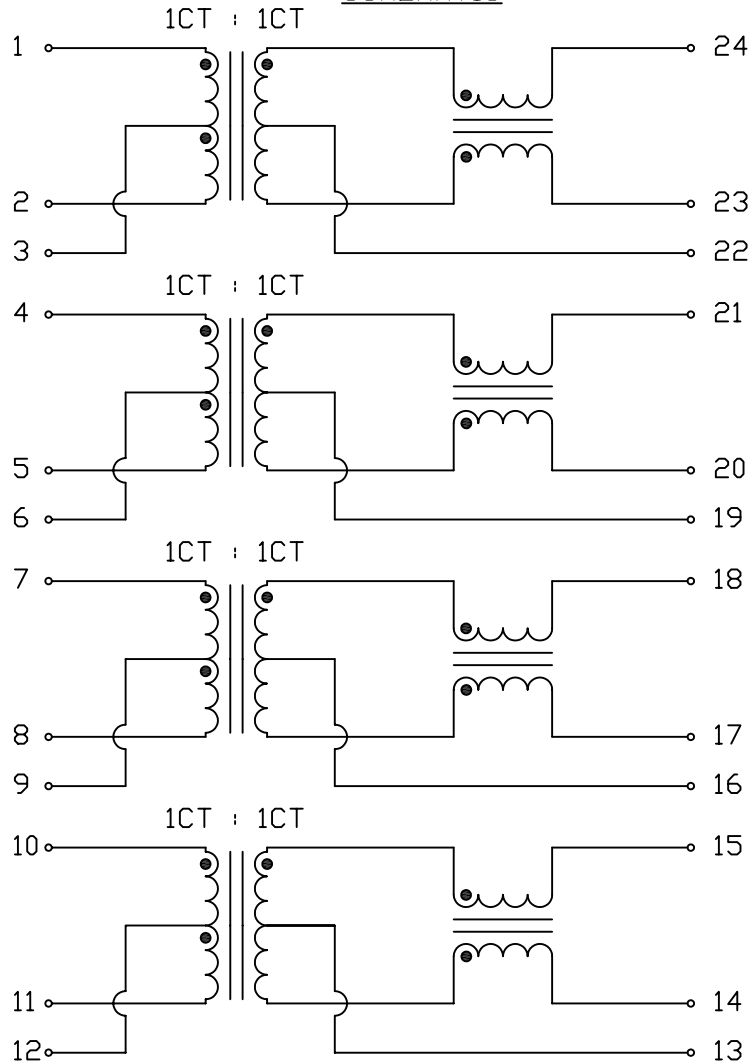


THE INFORMATION CONTAINED HEREIN IS CONSIDERED "PROPRIETARY" TO BEL FUSE INC. AND SHALL NOT BE COPIED, REPRODUCED OR DISCLOSED WITHOUT THE WRITTEN APPROVAL OF BEL FUSE INC.



SCHEMATIC

ELECTRICAL CHARACTERISTICS @25°C



URNS RATIO	1CT : 1CT
PHASE	1 TO 24, 4 TO 21, 7 TO 18, 10 TO 15 IN PHASE
□CL :	350uH MIN. AT 100kHz, 100mV (1-2), (4-5), (7-8), (10-11) WITH 8mA DC BIAS, FROM 0 -70°C
INSERTION LOSS	1.0dB MAX. @ 1MHZ TO 100MHZ 1.5dB MAX. @ 125MHZ
RETURN LOSS	18dB MIN. @ 1-30MHZ MEASURED UNDER A 100 Ω I/□ 15dB MIN. @ 60MHZ 12dB MIN. @ 80MHZ 10dB MIN. @ 100MHZ
CROSSTALK	10-100 MHz 35 dB MIN.
COMMON TO COMMON REJECTION	30 dB MIN. AT 100kHz TO 155MHZ
HIPOT	PER HAND-WORK-03

ORIGINATED BY	DATE
Alice Pang	2015-01-28
DRAWN BY	DATE
ZC Guo	2015-01-28

TITLE
ELECTRICAL SPECIFICATION
S558-5999-AM-F

PART NO. / DRAWING NO.
X5585999AM-F
FILE NAME
X5585999AMFB.DWG

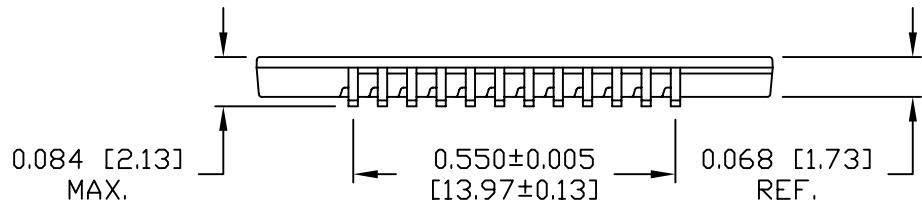
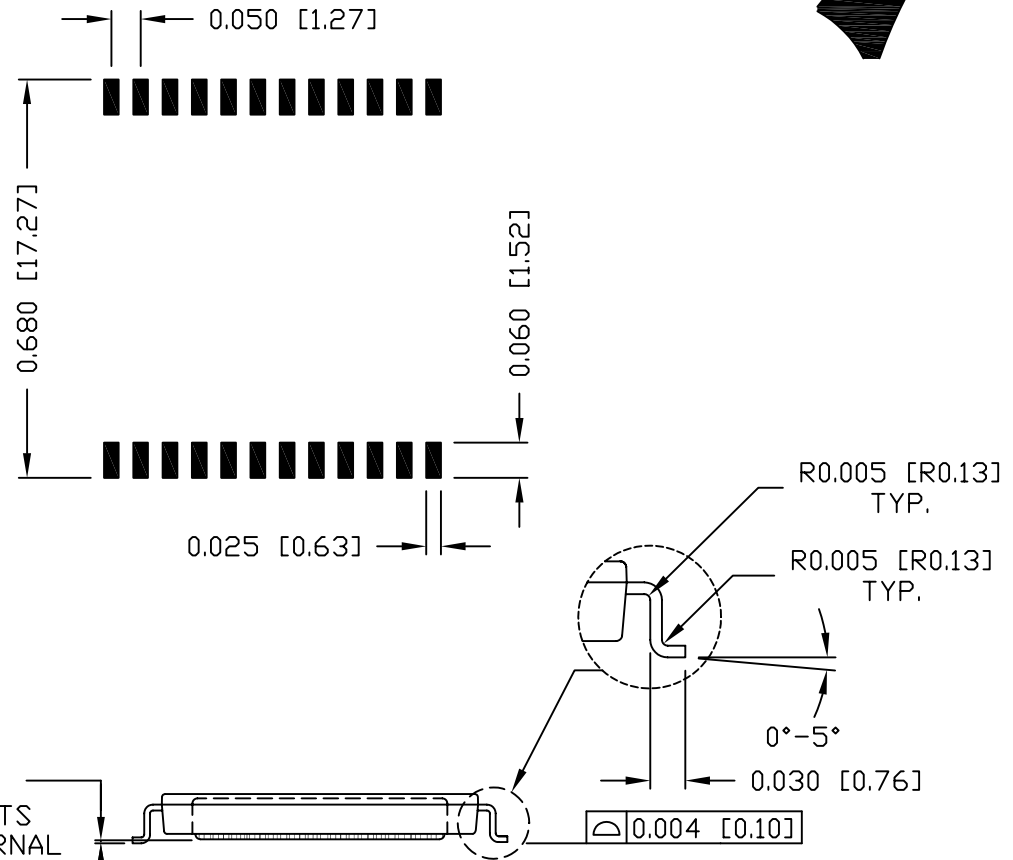
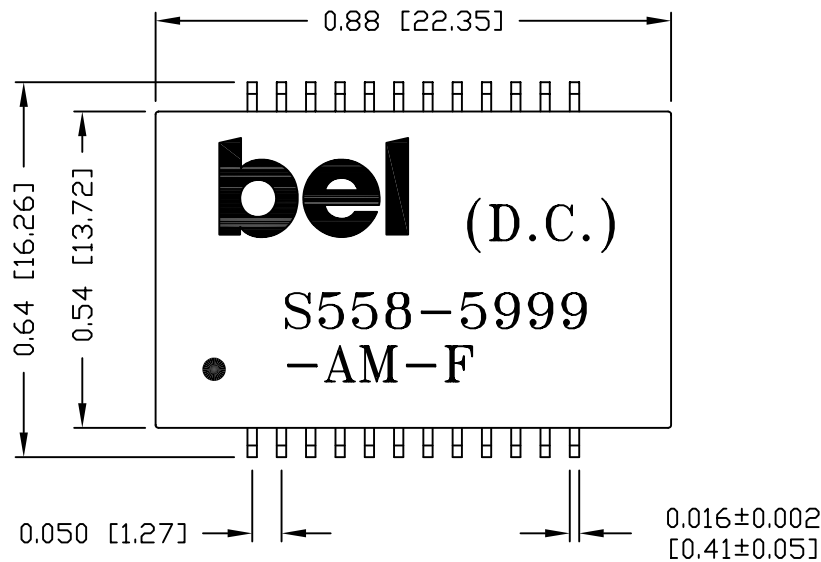
STANDARD DIM.	[ ] METRIC DIM. AS REF.
TOL. IN INCH	UNIT : INCH [mm]
.X	SCALE : N/A
.XX	SIZE : A4
.XXX	

REV. : B	PAGE : 2

THE INFORMATION CONTAINED HEREIN IS CONSIDERED "PROPRIETARY" TO BEL FUSE INC. AND SHALL NOT BE COPIED, REPRODUCED OR DISCLOSED WITHOUT THE WRITTEN APPROVAL OF BEL FUSE INC.



SUGGESTED PCB PAD LAYOUT



BETWEEN COMPONENTS AND INTERNAL LEADS TO SEATING PLANE WITH 0.002" MIN CLEARANCE

NOTES:

- STANDARD MARKING REFER TO DOC. HAND-WORK-04.
- PACKAGE CODE: "RJS001".

REV. : B PAGE : 3

ORIGINATED BY	DATE	TITLE
Lawrence Tsang	2015-01-28	MECHANICAL DRAWING S558-5999-AM-F
DRAWN BY	DATE	
ZC Guo	2015-01-28	

PART NO. / DRAWING NO.	STANDARD DIM.	[ ] METRIC DIM. AS REF.
X5585999AM-F	TOL. IN INCH	UNIT : INCH [mm]
FILE NAME	.X	SCALE : N/A
X5585999AMFB.DWG	.XX ±0.01	SIZE : A4
	.XXX ±0.005	

