

Link Replicator for Fibre Channel, Gigabit Ethernet, and HDTV Data Rates

Check for Samples: [SN65LVCP15](#)

FEATURES

- Replicates Serial Links Such as Fibre Channel, Gigabit Ethernet, and HDTV Links
- T11 Fibre Channel Compliant at 1.0634 Gb/s
- IEEE802.3-2005 Gigabit Ethernet Compliant at 1.25 Gb/s (1000Base-X)
- Support for SMPTE-292M Data Rate at 1.485 Gb/s
- Compatible With VSC7132-01
- No External Components Required
- 0.455 W Maximum Power Dissipation
- 3.3 V Power Supply
- 28-Pin, 4,4 mm × 9,7 mm TSSOP Package
- Footprint Compatible with VSC7132

APPLICATIONS

- Test Equipment
- Gigabit Ethernet and Fibre Channel Switches/Repeaters

DESCRIPTION

The SN65LVCP15 is a high performance serial link mux for use in Fibre Channel (1.0625 Gb/s), Gigabit Ethernet (1.25 Gb/s), and other high speed interface applications. A common application involves a serializer/deserializer (SerDes), such as the TLK2201B, which would normally be connected to the IN \pm and OUT \pm ports in order to provide duplicate set of links on the IN0/OUT0 and IN1/OUT1 ports. This type of application is often used to implement high speed test ports that can be monitored without affecting the serial data stream of the application. A popular application is in Line Cards, that use serial links from a SerDes like TLK2201B ([SLLS585](#)), where the SN65LVCP15 provides redundant, hot-swappable links to redundant Switch Fabric Cards.

During normal operation, IN is sent to both OUT0 and OUT1 whose buffers are enabled when OE0 and OE1 are HIGH. OUT0 can select between IN and IN1. OUT1 can select between IN and IN0. OUT can select between IN0 and IN1.

In Link Replicator applications, such as the Line Card to Switch Card links, IN is transmitted to both OUT0 and OUT1 which either IN0 or IN1 is selected at OUT. In host Adapter applications, IN goes to OUT0 (an internal connector) which returns data and IN0 is looped to OUT1 (an external connector) which returns data on IN1 and then back to the SerDes on OUT.



Please be aware that an important notice concerning availability, standard warranty, and use in critical applications of Texas Instruments semiconductor products and disclaimers thereto appears at the end of this data sheet.



These devices have limited built-in ESD protection. The leads should be shorted together or the device placed in conductive foam during storage or handling to prevent electrostatic damage to the MOS gates.

ORDERING INFORMATION

ORDERABLE PART NUMBER	DESCRIPTION
SN65LVCP15PW ⁽¹⁾	28-Pin TSSOP, 4,4 mm x 9,7 mm Body

(1) For the most current package and ordering information, see the Package Option Addendum at the end of this document, or see the TI website at www.ti.com.

ABSOLUTE MAXIMUM RATINGS⁽¹⁾

	VALUE	UNIT
V _{DD} Power supply voltage, TTL	0.5 to 4.0	V
V _{IN(P)} DC input voltage, PECL	-0.5 to V _{DD} +0.5	V
V _{IN(T)} DC input voltage, TTL	-0.5 to +5.5	V
V _{IN(TTL)} DC voltage applied to outputs for high output state	-0.5 to V _{DD} +0.5	V
ESD Electrostatic discharge voltage (human body model)	2	kV
T _{JA} Junction to Ambient Thermal Resistance (Assumes High K Board)	61.7	°C/W

(1) Stresses listed under absolute maximum ratings may be applied to devices one at a time without causing permanent damage. Functionality at or above the values listed is not implied. Exposure to these values for extended periods may affect device reliability.

RECOMMENDED OPERATING CONDITIONS

	MIN	MAX	UNIT
V _{DD} Power supply voltage	3.14	3.47	V
Operating temperature range	-40	85	°C

AC ELECTRICAL CHARACTERISTICS

over recommended operating conditions (unless otherwise noted)

PARAMETER	TEST CONDITIONS	MIN	TYP	MAX	UNIT
f Operating frequency range		1		1.5	Gb/s
t ₁ Flow-through propagation delay	Delay from any input to any output			1	ns
t _r , t _f Serial data rise and fall time	20% to 80%			300	ps
t _{DJ} Deterministic jitter added to serial input	1 Gb/s to 1.25 Gb/s. Measured on K28.5+, K28.5- pattern			35	ps pp
	1.25 Gb/s to 1.5 Gb/s. Measured on K28.5+, K28.5- pattern			45	

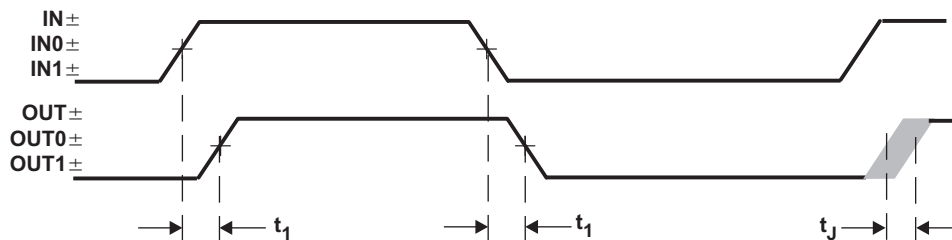


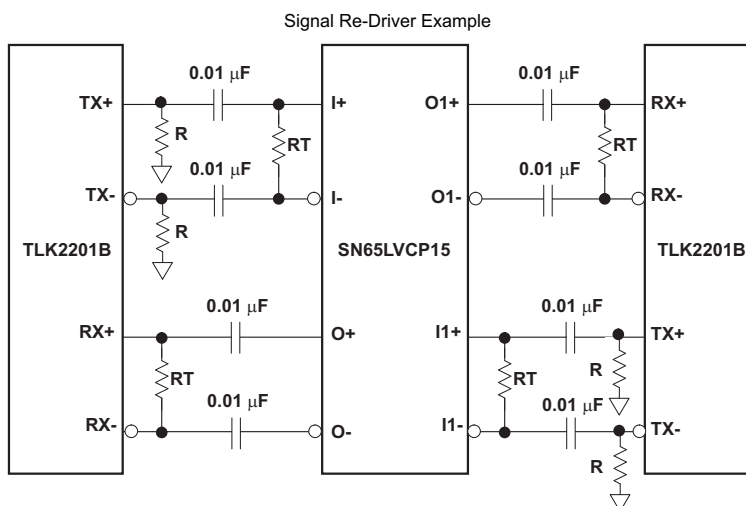
Figure 1. Timing Waveforms

DC ELECTRICAL CHARACTERISTICS

over recommended operating conditions (unless otherwise noted)

PARAMETER		TEST CONDITIONS	MIN	TYP	MAX	UNIT
$V_{IH(TTL)}$	Input HIGH voltage		2	5.5		V
$V_{IL(TTL)}$	Input LOWS voltage		0	0.8		V
$I_{IH(TTL)}$	Input HIGH current	$V_{IN} = 2.4\text{ V}$	-100		100	μA
$I_{IL(TTL)}$	Input HIGH current	$V_{IN} = 0.5\text{ V}$	-100		100	μA
V_{DD}	Supply voltage	$V_{DD} = 3.30\text{ V} \pm 5\%$	3.14		3.47	V
I_{DD}	Supply current	Outputs open, $V_{DD} = V_{DD\text{ max}}$			131	mA
P_D	Power dissipation	Outputs open, $V_{DD} = V_{DD\text{ max}}$			455	mW
ΔV_{IN}	Receiver differential peak-to-peak input sensitivity (IN, IN0, IN1)	AC coupled, Internally biased at $V_{DD}/2$	300		2600	mV _{PP}
ΔV_{OUT50}	Output differential peak-to-peak voltage swing (OUT, OUT0, OUT1)	50 Ω to $V_{DD} - 2\text{ V}$	1000		2200	mV _{PP}
ΔV_{OUT75}		75 Ω to $V_{DD} - 2\text{ V}$	1200		2200	mV _{PP}

APPLICATION EXAMPLE



R is 150 Ω for both 100 Ω differential or 150 Ω differential traces.

RT matches the differential impedance of the link.

For optimal signal integrity performance, A/C coupling is recommended.

Figure 2. TLK2201B and SN65LVCP15 Interconnect

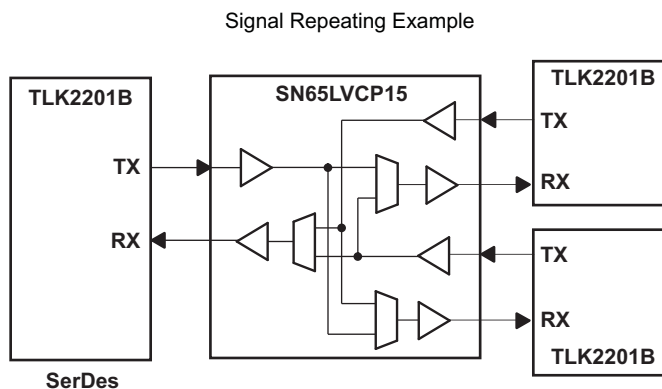
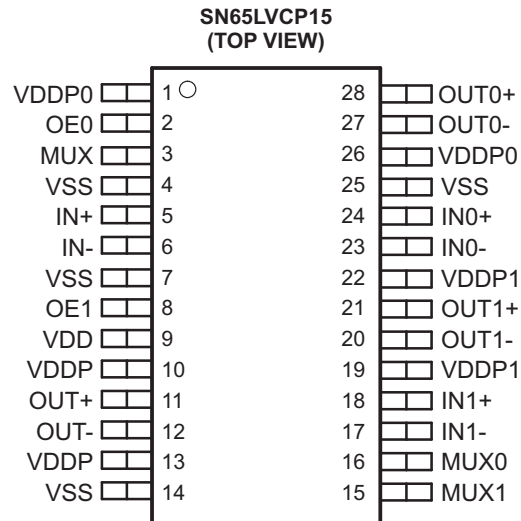


Figure 3.

PACKAGE INFORMATION – PIN DIAGRAM



PIN FUNCTIONS

PIN		TYPE	LEVEL	DESCRIPTION
NO.	NAME			
5, 6 24, 23 18, 17	IN+, IN- IN0+, IN0- IN1+, IN1-	I	PECL	Differential (biased to $V_{DD}/2$) High-speed serial inputs
11, 12 28, 27 21, 20	OUT+, OUT- OUT0+, OUT0- OUT1+, OUT1-	O	PECL	Differential high-speed serial outputs
2 8	OE0 OE1	I	TTL	OE0/OE1 enables OUT0/OUT1 when HIGH. When LOW, OUTx is powered down and both OUTx+ and OUTx- float HIGH.
3	MUX	I	TTL	Determines source of OUT. Selects either IN0 (LOW) or IN1 (HIGH).
15	MUX1	I	TTL	Determines source of OUT1. Selects either IN (HIGH) or IN0 (LOW).
16	MUX0	I	TTL	Determines source of OUT0. Selects either IN (LOW) or IN1 (HIGH).
9	VDD	Pwr		3.3 V power supply for digital logic
10, 13 1, 26 19, 22	VDDP VDDP0 VDDP1	Pwr		High-speed output power supply: 3.3 V supply for PECL drivers. VDDP0 is for OUT0, VDDP1 is for OUT1, and VDDP1 is for OUT1.
4, 7 14, 25	VSS	Pwr		Ground

MOISTURE SENSITIVITY LEVEL

This device is rated moisture sensitivity level 3 or better as specified in the joint IPC and JEDEC standard IPC/JEDEC J-STD-020. For more information, see the IPC and JEDEC standards.

REVISION HISTORY

Changes from Original (October 2008) to Revision A **Page**

- Deleted I_O - DC output HIGH current, PECL from the ABSOLUTE MAXIMUM RATINGS table [2](#)
-

Changes from Revision A (November 2008) to Revision B **Page**

- Changed Case operating temperature To: Operating temperature range and the range From: 0 to 85°C To: –40 to 85°C [2](#)
-

PACKAGING INFORMATION

Orderable Device	Status (1)	Package Type	Package Drawing	Pins	Package Qty	Eco Plan (2)	Lead finish/ Ball material (6)	MSL Peak Temp (3)	Op Temp (°C)	Device Marking (4/5)	Samples
SN65LVCP15PW	ACTIVE	TSSOP	PW	28	50	RoHS & Green	NIPDAU	Level-1-260C-UNLIM	-40 to 85	LVCP15	Samples
SN65LVCP15PWR	ACTIVE	TSSOP	PW	28	2000	RoHS & Green	NIPDAU	Level-1-260C-UNLIM	-40 to 85	LVCP15	Samples

(1) The marketing status values are defined as follows:

ACTIVE: Product device recommended for new designs.

LIFEBUY: TI has announced that the device will be discontinued, and a lifetime-buy period is in effect.

NRND: Not recommended for new designs. Device is in production to support existing customers, but TI does not recommend using this part in a new design.

PREVIEW: Device has been announced but is not in production. Samples may or may not be available.

OBSOLETE: TI has discontinued the production of the device.

(2) **RoHS:** TI defines "RoHS" to mean semiconductor products that are compliant with the current EU RoHS requirements for all 10 RoHS substances, including the requirement that RoHS substance do not exceed 0.1% by weight in homogeneous materials. Where designed to be soldered at high temperatures, "RoHS" products are suitable for use in specified lead-free processes. TI may reference these types of products as "Pb-Free".

RoHS Exempt: TI defines "RoHS Exempt" to mean products that contain lead but are compliant with EU RoHS pursuant to a specific EU RoHS exemption.

Green: TI defines "Green" to mean the content of Chlorine (Cl) and Bromine (Br) based flame retardants meet JS709B low halogen requirements of <=1000ppm threshold. Antimony trioxide based flame retardants must also meet the <=1000ppm threshold requirement.

(3) MSL, Peak Temp. - The Moisture Sensitivity Level rating according to the JEDEC industry standard classifications, and peak solder temperature.

(4) There may be additional marking, which relates to the logo, the lot trace code information, or the environmental category on the device.

(5) Multiple Device Markings will be inside parentheses. Only one Device Marking contained in parentheses and separated by a "~" will appear on a device. If a line is indented then it is a continuation of the previous line and the two combined represent the entire Device Marking for that device.

(6) Lead finish/Ball material - Orderable Devices may have multiple material finish options. Finish options are separated by a vertical ruled line. Lead finish/Ball material values may wrap to two lines if the finish value exceeds the maximum column width.

Important Information and Disclaimer:The information provided on this page represents TI's knowledge and belief as of the date that it is provided. TI bases its knowledge and belief on information provided by third parties, and makes no representation or warranty as to the accuracy of such information. Efforts are underway to better integrate information from third parties. TI has taken and continues to take reasonable steps to provide representative and accurate information but may not have conducted destructive testing or chemical analysis on incoming materials and chemicals. TI and TI suppliers consider certain information to be proprietary, and thus CAS numbers and other limited information may not be available for release.

In no event shall TI's liability arising out of such information exceed the total purchase price of the TI part(s) at issue in this document sold by TI to Customer on an annual basis.

TAPE AND REEL INFORMATION

QUADRANT ASSIGNMENTS FOR PIN 1 ORIENTATION IN TAPE


*All dimensions are nominal

Device	Package Type	Package Drawing	Pins	SPQ	Reel Diameter (mm)	Reel Width W1 (mm)	A0 (mm)	B0 (mm)	K0 (mm)	P1 (mm)	W (mm)	Pin1 Quadrant
SN65LVCP15PWR	TSSOP	PW	28	2000	330.0	16.4	6.9	10.2	1.8	12.0	16.0	Q1

TAPE AND REEL BOX DIMENSIONS


*All dimensions are nominal

Device	Package Type	Package Drawing	Pins	SPQ	Length (mm)	Width (mm)	Height (mm)
SN65LVCP15PWR	TSSOP	PW	28	2000	853.0	449.0	35.0

TUBE


*All dimensions are nominal

Device	Package Name	Package Type	Pins	SPQ	L (mm)	W (mm)	T (μm)	B (mm)
SN65LVCP15PW	PW	TSSOP	28	50	530	10.2	3600	3.5

PW (R-PDSO-G28)

PLASTIC SMALL OUTLINE



4040064-7/G 02/11

- NOTES:
- A. All linear dimensions are in millimeters. Dimensioning and tolerancing per ASME Y14.5M-1994.
 - B. This drawing is subject to change without notice.
 - C. Body length does not include mold flash, protrusions, or gate burrs. Mold flash, protrusions, or gate burrs shall not exceed 0,15 each side.
 - D. Body width does not include interlead flash. Interlead flash shall not exceed 0,25 each side.
 - E. Falls within JEDEC MO-153

PW (R-PDSO-G28)

PLASTIC SMALL OUTLINE



- NOTES:
- A. All linear dimensions are in millimeters.
 - B. This drawing is subject to change without notice.
 - C. Publication IPC-7351 is recommended for alternate design.
 - D. Laser cutting apertures with trapezoidal walls and also rounding corners will offer better paste release. Customers should contact their board assembly site for stencil design recommendations. Refer to IPC-7525 for other stencil recommendations.
 - E. Customers should contact their board fabrication site for solder mask tolerances between and around signal pads.

IMPORTANT NOTICE AND DISCLAIMER

TI PROVIDES TECHNICAL AND RELIABILITY DATA (INCLUDING DATA SHEETS), DESIGN RESOURCES (INCLUDING REFERENCE DESIGNS), APPLICATION OR OTHER DESIGN ADVICE, WEB TOOLS, SAFETY INFORMATION, AND OTHER RESOURCES "AS IS" AND WITH ALL FAULTS, AND DISCLAIMS ALL WARRANTIES, EXPRESS AND IMPLIED, INCLUDING WITHOUT LIMITATION ANY IMPLIED WARRANTIES OF MERCHANTABILITY, FITNESS FOR A PARTICULAR PURPOSE OR NON-INFRINGEMENT OF THIRD PARTY INTELLECTUAL PROPERTY RIGHTS.

These resources are intended for skilled developers designing with TI products. You are solely responsible for (1) selecting the appropriate TI products for your application, (2) designing, validating and testing your application, and (3) ensuring your application meets applicable standards, and any other safety, security, regulatory or other requirements.

These resources are subject to change without notice. TI grants you permission to use these resources only for development of an application that uses the TI products described in the resource. Other reproduction and display of these resources is prohibited. No license is granted to any other TI intellectual property right or to any third party intellectual property right. TI disclaims responsibility for, and you will fully indemnify TI and its representatives against, any claims, damages, costs, losses, and liabilities arising out of your use of these resources.

TI's products are provided subject to [TI's Terms of Sale](#) or other applicable terms available either on ti.com or provided in conjunction with such TI products. TI's provision of these resources does not expand or otherwise alter TI's applicable warranties or warranty disclaimers for TI products.

TI objects to and rejects any additional or different terms you may have proposed.

Mailing Address: Texas Instruments, Post Office Box 655303, Dallas, Texas 75265
Copyright © 2022, Texas Instruments Incorporated