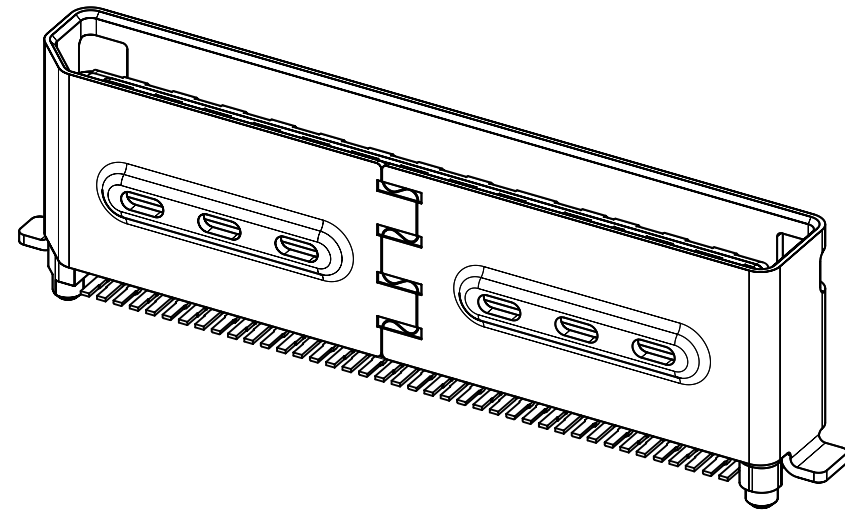
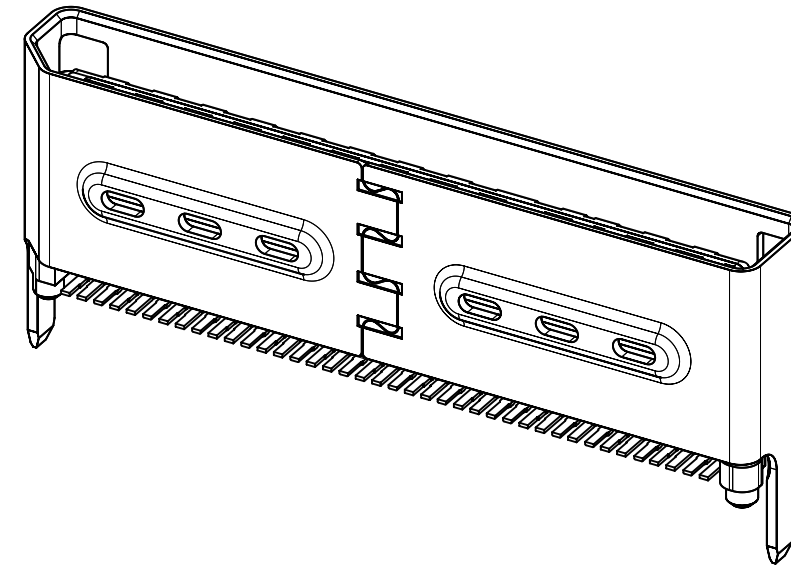


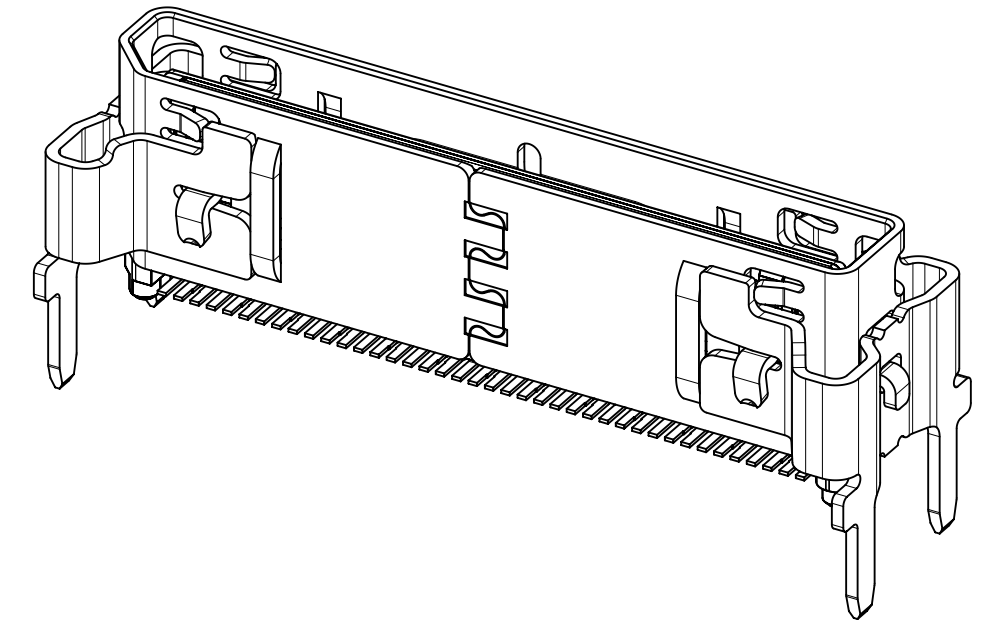
STATUS	MATERIAL NUMBER	GND TERMINAL OPTION	PICK AND PLACE CAP COLOR	DIM 'T'
TOOLED	173162-0331	SMT	N/A	N/A
TOOLED	173162-0332	TAIL	N/A	3.00
TOOLED	173162-0333	SMT	BLACK	N/A
TOOLED	173162-0334	TAIL	BLACK	3.00
NOT TOOLED	173162-0335	TAIL	BLACK	2.36
NOT TOOLED	173162-0336	TAIL	BLACK	1.57
TOOLED	173162-0337	XD	N/A	3.00
	173162-0338		BLACK	
TOOLED	173162-0339	XD	BLACK	2.36
TOOLED	173162-0340	XD	BLACK	1.57



80 CIRCUIT SMT



80 CIRCUIT TAIL



80 CIRCUIT XD

NOTES:

1. MATERIALS:

HOUSING - GLASS FILLED THERMOPLASTIC, 94V-0  
 CONTACTS - HIGH PERFORMANCE COPPER ALLOY  
 SHIELD - STAINLESS STEEL

2. FINISH:

CONTACTS - 0.76µm MIN. GOLD MATING SIDE

**E1** 0.05µm GOLD FLASH ON SOLDER TAILS  
 1.27µm MIN. NICKEL UNDERPLATE OVERALL

SMT/TH SHIELD - MATTE TIN OVER 1.27µm MIN. NICKEL  
 XD SHIELD - MATT TIN ON SOLDER LEGS ONLY

3. PRODUCT SPECIFICATION: PS-173162-0001

4. PACKAGING SPECIFICATION: PK-173307-0001

5. MATES WITH: MOLEX CABLE SERIES 200226 OR 200227  
 PER INDUSTRY STANDARD PCIe OCuLink 1.0, SFF-8611

6. APPLICATION SPECIFICATION: AS-173162-0001

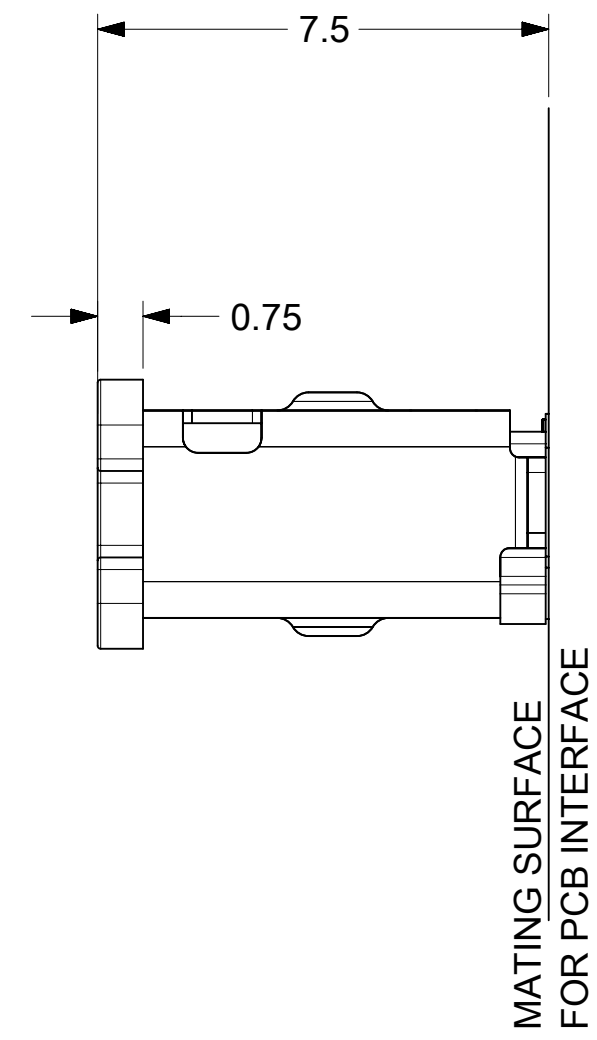
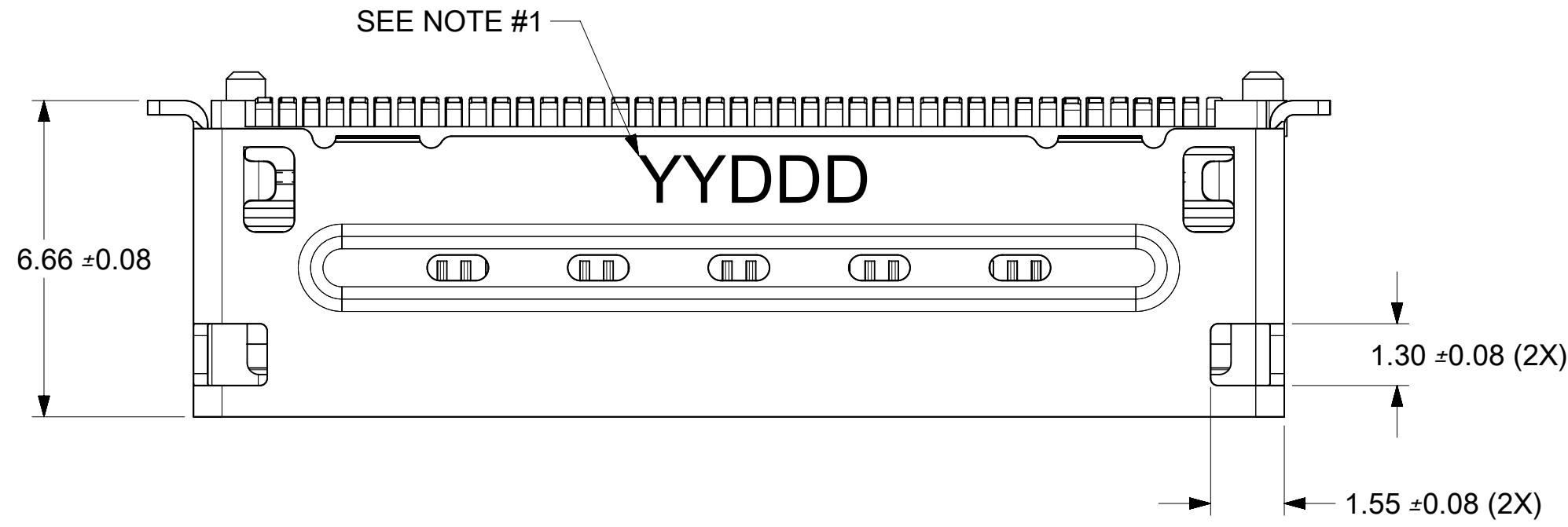
7. COSMETIC SPECIFICATION: PS-45499-002, CLASS B

8. DATE CODE TO BE LOCATED APPROXIMATELY AS SHOWN, DATE CODE  
 TO SHOW THE DATE AND YEAR OF ASSEMBLY (DDYY OR YYDD)

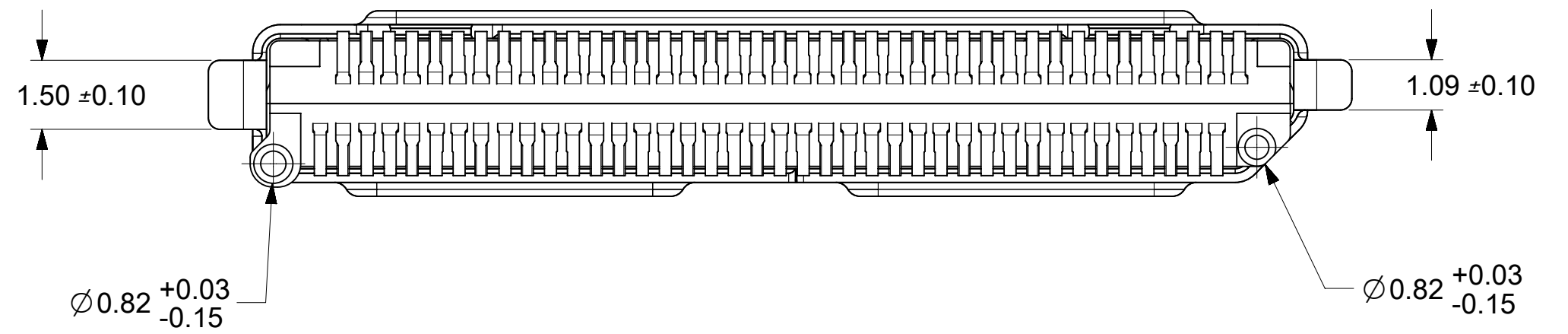
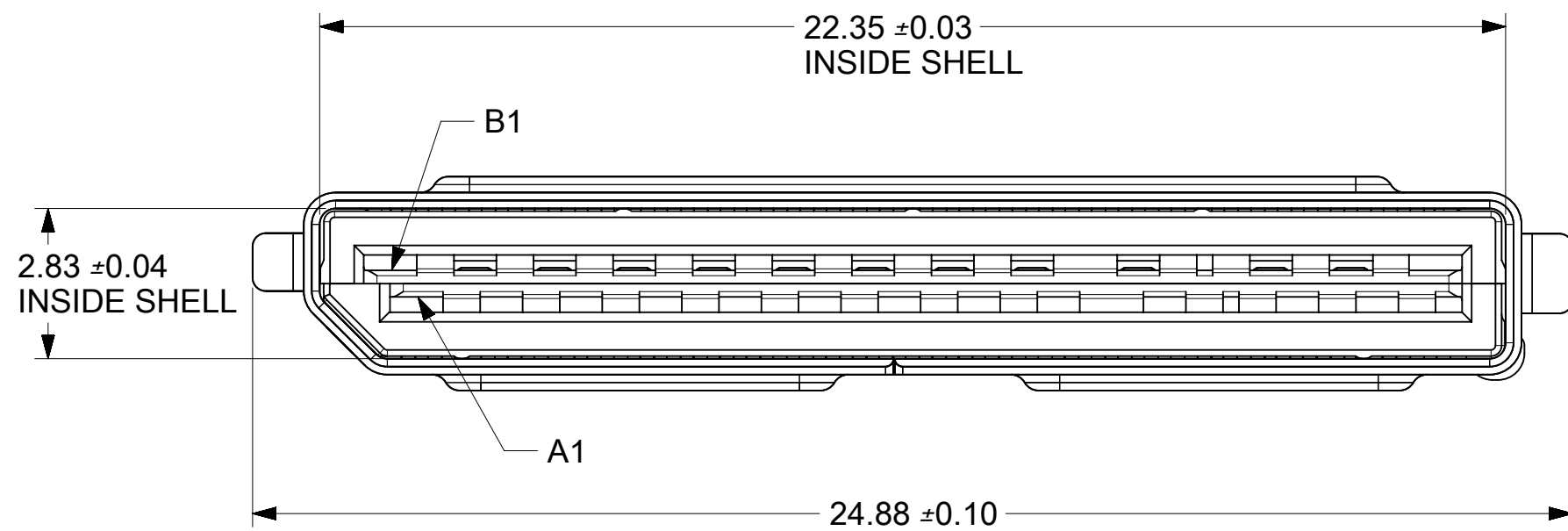
THIS DRAWING CONTAINS INFORMATION THAT IS PROPRIETARY TO MOLEX ELECTRONIC TECHNOLOGIES, LLC AND SHOULD NOT BE USED WITHOUT WRITTEN PERMISSION

REMASTERED IN ECTR EC NO: 619011 DRWN: CCHEN103 CHKD: JKACHLIC REV / APPR: JKACHLIC	2019/06/13 2019/06/17 2019/06/17		GENERAL TOLERANCES (UNLESS SPECIFIED)		DIMENSION UNITS		SCALE	<b>molex</b>			
		MM	INCH	MM ONLY	5:1						
	4 PLACES	±	±	DRWN BY	DATE	BJANOWIAK		2015/05/11		NANO PITCH I/O FIXED 25G VERTICAL 8X	
	3 PLACES	±	±	CHK'D BY	DATE	MJANTELEZIO		2015/05/11			
	2 PLACES	±	0.13	±	APPR BY	DATE	MBANAKIS		2015/09/18		
	1 PLACES	±	0.25	±	DRAWING SIZE		THIRD ANGLE PROJECTION		PRODUCT CUSTOMER DRAWING		
0 PLACES	±	±	ANGULAR TOL = 0.5		DRAFT WHERE APPLICABLE MUST REMAIN WITHIN DIMENSIONS	C		SERIES MATERIAL NUMBER CUSTOMER			
E1			173162					SEE CHART		GENERAL MARKET	
RELEASE STATUS P1			RELEASE DATE 2019/06/17 04:51:43		DOCUMENT NUMBER		DOC TYPE	DOC PART	SHEET NUMBER		
			SD-173162-0002		PSD	001	1 OF 7				

# 8X SMT ASSEMBLY



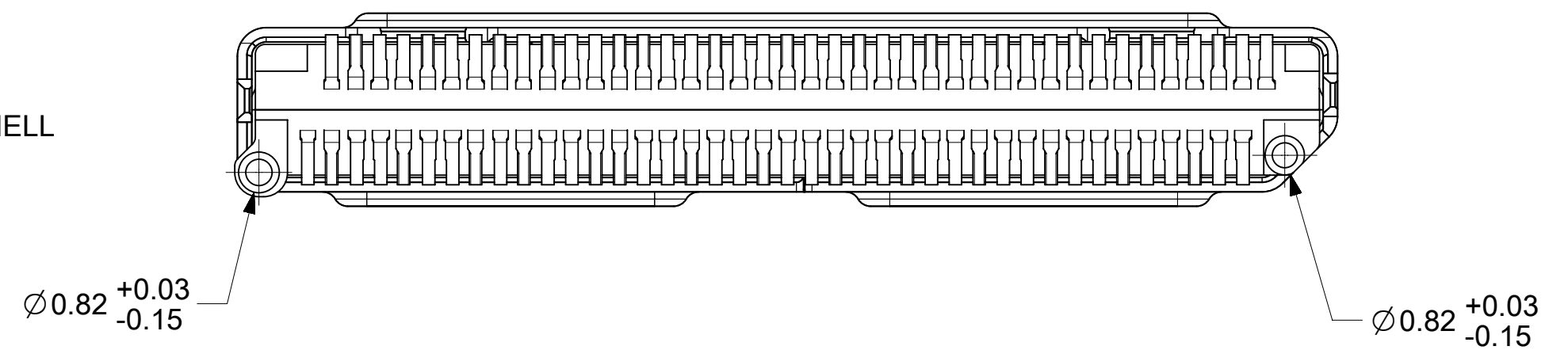
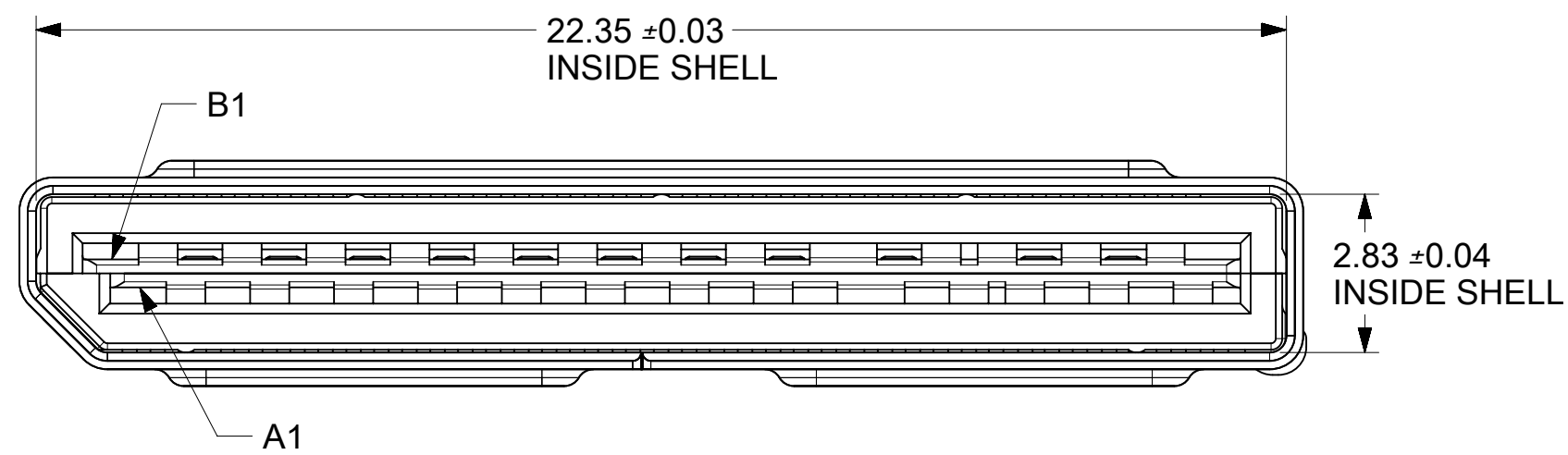
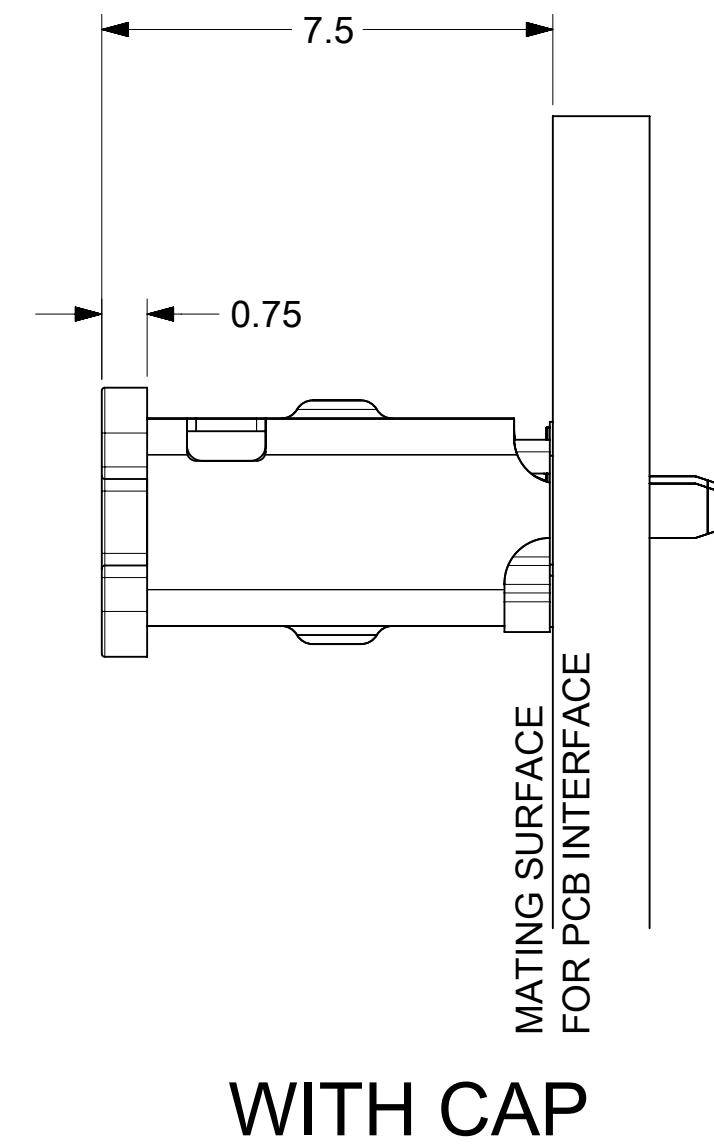
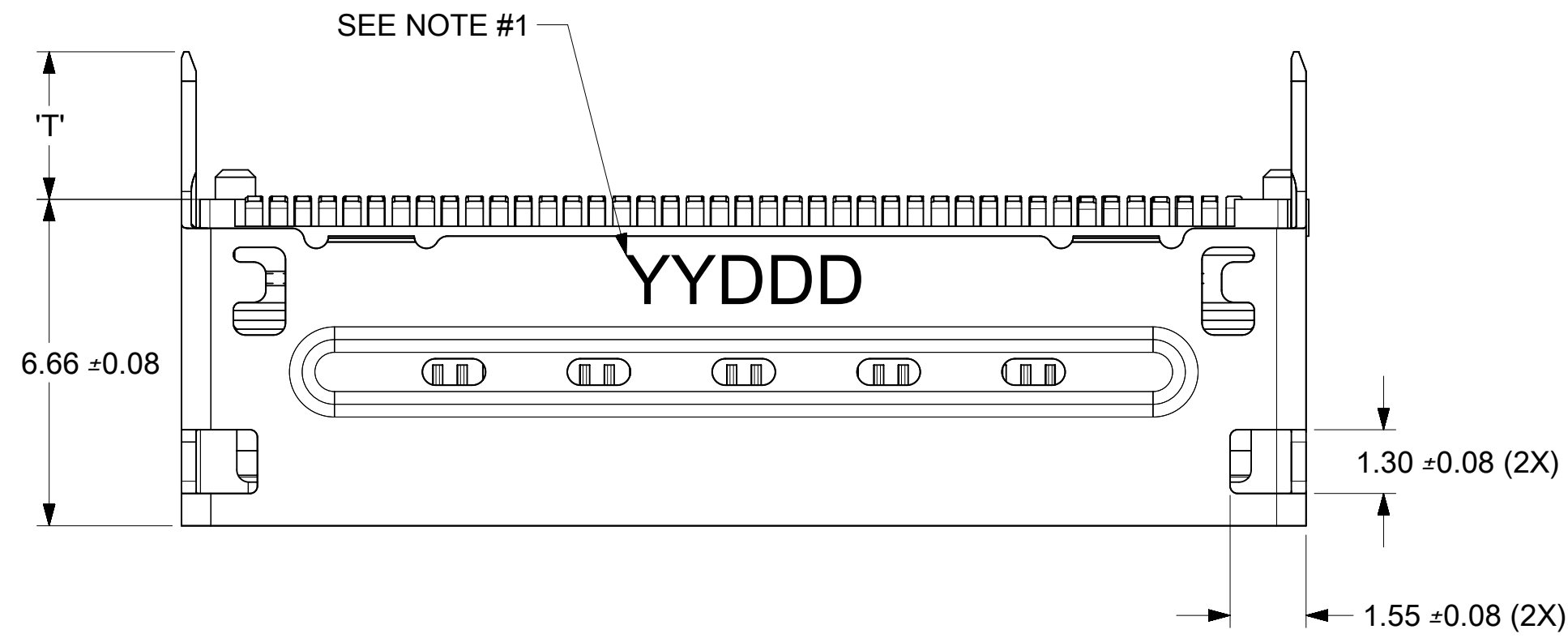
WITH CAP



- NOTES:
1. MANUFACTURED DATE CODE (JULIAN CALENDAR)
  2. SOLDER TAIL COPLANARITY, 0.10 MAX

THIS DRAWING CONTAINS INFORMATION THAT IS PROPRIETARY TO MOLEX ELECTRONIC TECHNOLOGIES, LLC AND SHOULD NOT BE USED WITHOUT WRITTEN PERMISSION									
REMASTERED IN ECTR EC NO: 619011 DRWN: CCHEN103 CHKD: JKACHLIC REV / APPR: JKACHLIC	GENERAL TOLERANCES (UNLESS SPECIFIED)				DIMENSION UNITS		SCALE		
					MM ONLY		8:1		
					DRWN BY		DATE		
	4 PLACES ±				BJANOWIAK		2015/05/11		
	3 PLACES ±				CHK'D BY		DATE		
	2 PLACES ± 0.13				MJANTELEZIO		2015/05/11		
1 PLACES ± 0.25				APPR BY		DATE			
0 PLACES ±				MBANAKIS		2015/09/18			
ANGULAR TOL = 0.5				DRAWING SIZE		THIRD ANGLE PROJECTION			
DRAFT WHERE APPLICABLE MUST REMAIN WITHIN DIMENSIONS				C					
SERIES		MATERIAL NUMBER		CUSTOMER					
173162		SEE SHEET 1		GENERAL MARKET					
DOCUMENT NUMBER				DOC TYPE		DOC PART		SHEET NUMBER	
SD-173162-0002				PSD		001		2 OF 7	

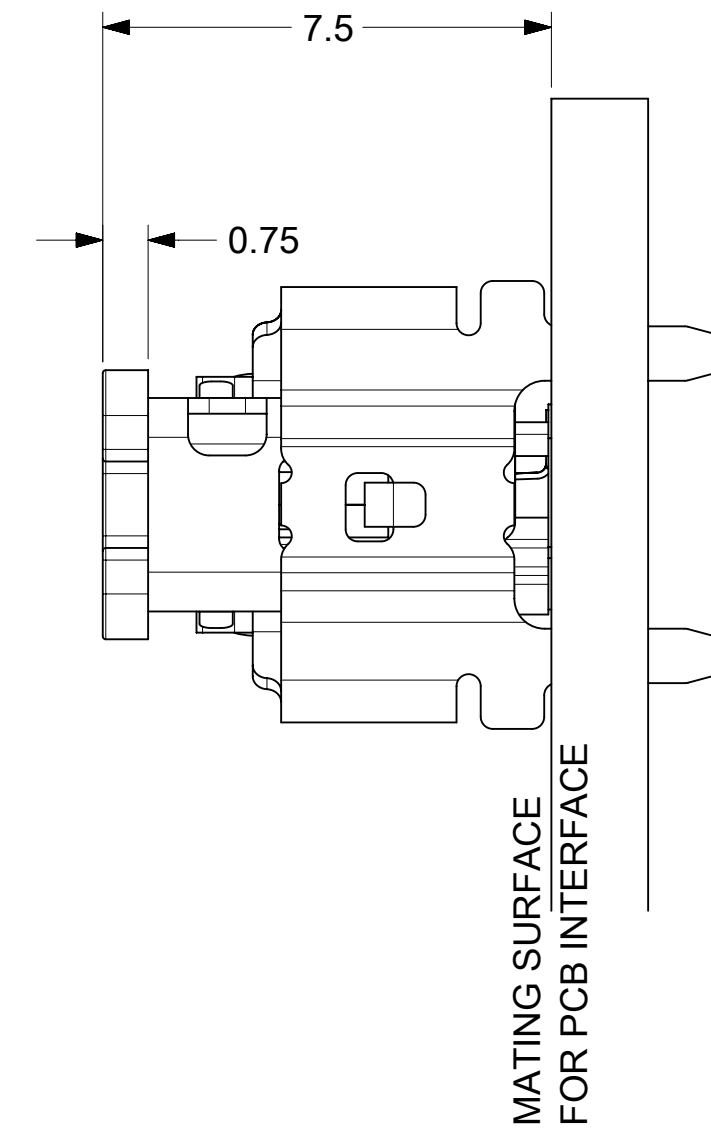
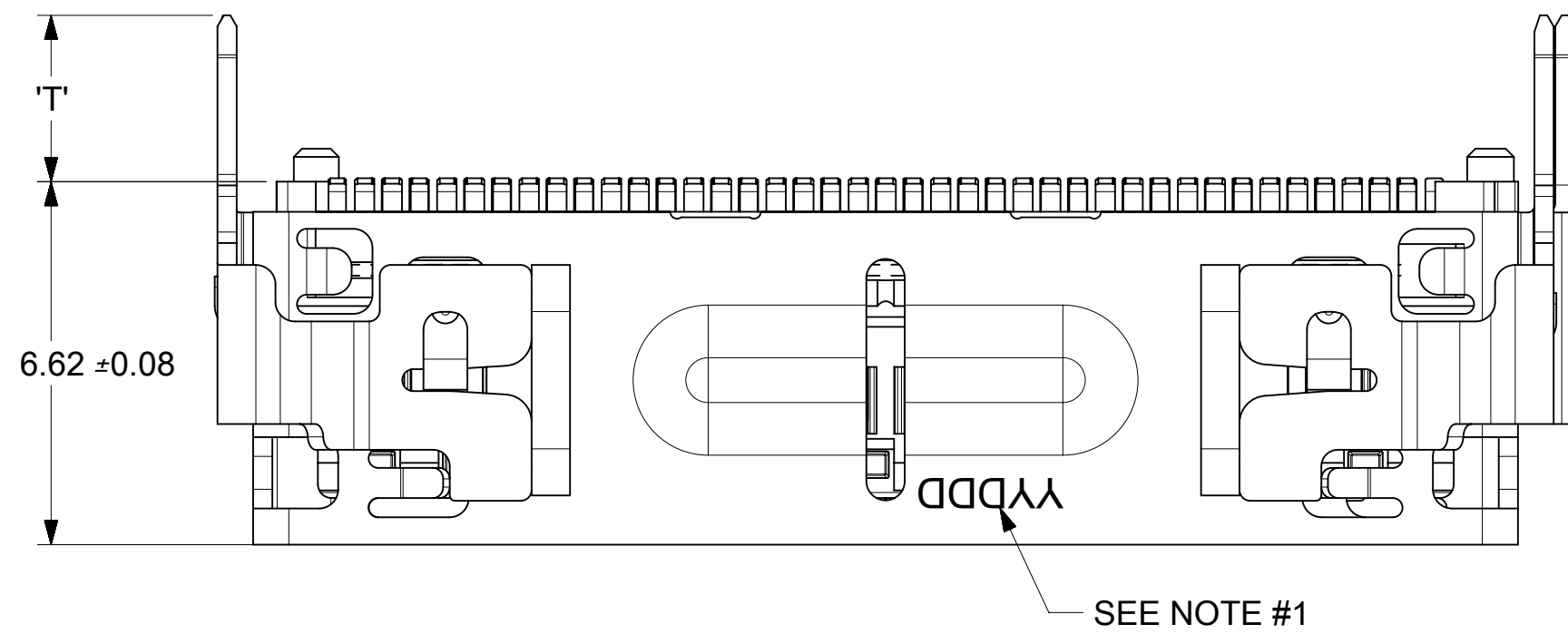
# 8X SOLDER TAIL ASSEMBLY



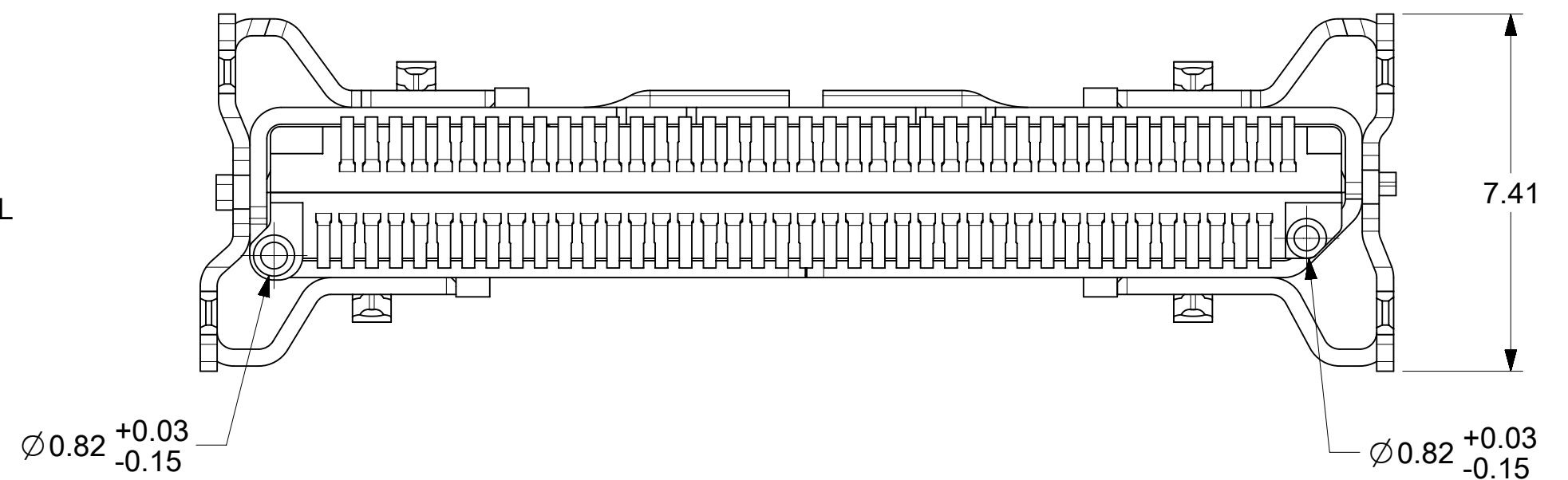
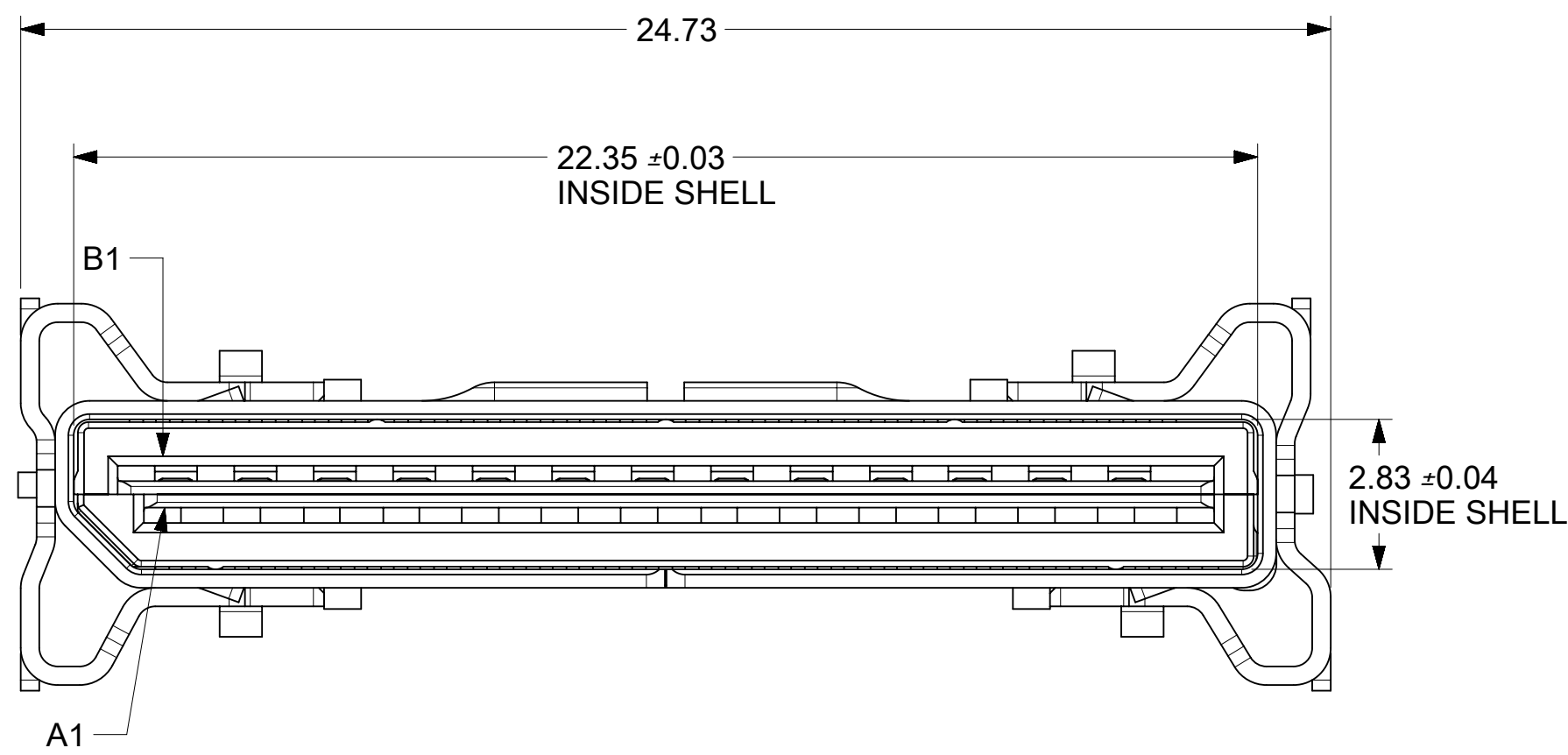
- NOTES:
1. MANUFACTURED DATE CODE (JULIAN CALENDAR)
  2. SOLDER TAIL COPLANARITY, 0.10 MAX

THIS DRAWING CONTAINS INFORMATION THAT IS PROPRIETARY TO MOLEX ELECTRONIC TECHNOLOGIES, LLC AND SHOULD NOT BE USED WITHOUT WRITTEN PERMISSION									
REMASTERED IN ECTR EC NO: 619011 DRWN: CCHEN103 CHKD: JKACHLIC REV / APPR: JKACHLIC	GENERAL TOLERANCES (UNLESS SPECIFIED)		DIMENSION UNITS		SCALE		<b>molex</b>		
			MM ONLY		8:1				
	4 PLACES	±	MM	INCH	DRWN BY	DATE	NANO PITCH I/O FIXED 25G VERTICAL 8X		
	3 PLACES	±			BJANOWIAK	2015/05/11			
	2 PLACES	± 0.13			CHK'D BY	DATE	PRODUCT CUSTOMER DRAWING		
1 PLACES	± 0.25			MJANTELEZIO	2015/05/11				
0 PLACES	±			APPR BY	DATE	SERIES MATERIAL NUMBER CUSTOMER 173162 SEE SHEET 1 GENERAL MARKET			
				MBANAKIS	2015/09/18				
	ANGULAR TOL = 0.5		DRAWING SIZE		THIRD ANGLE PROJECTION		DOCUMENT NUMBER DOC TYPE DOC PART SHEET NUMBER SD-173162-0002 PSD 001 3 OF 7		
	DRAFT WHERE APPLICABLE MUST REMAIN WITHIN DIMENSIONS		C						

# 8X XD ASSEMBLY



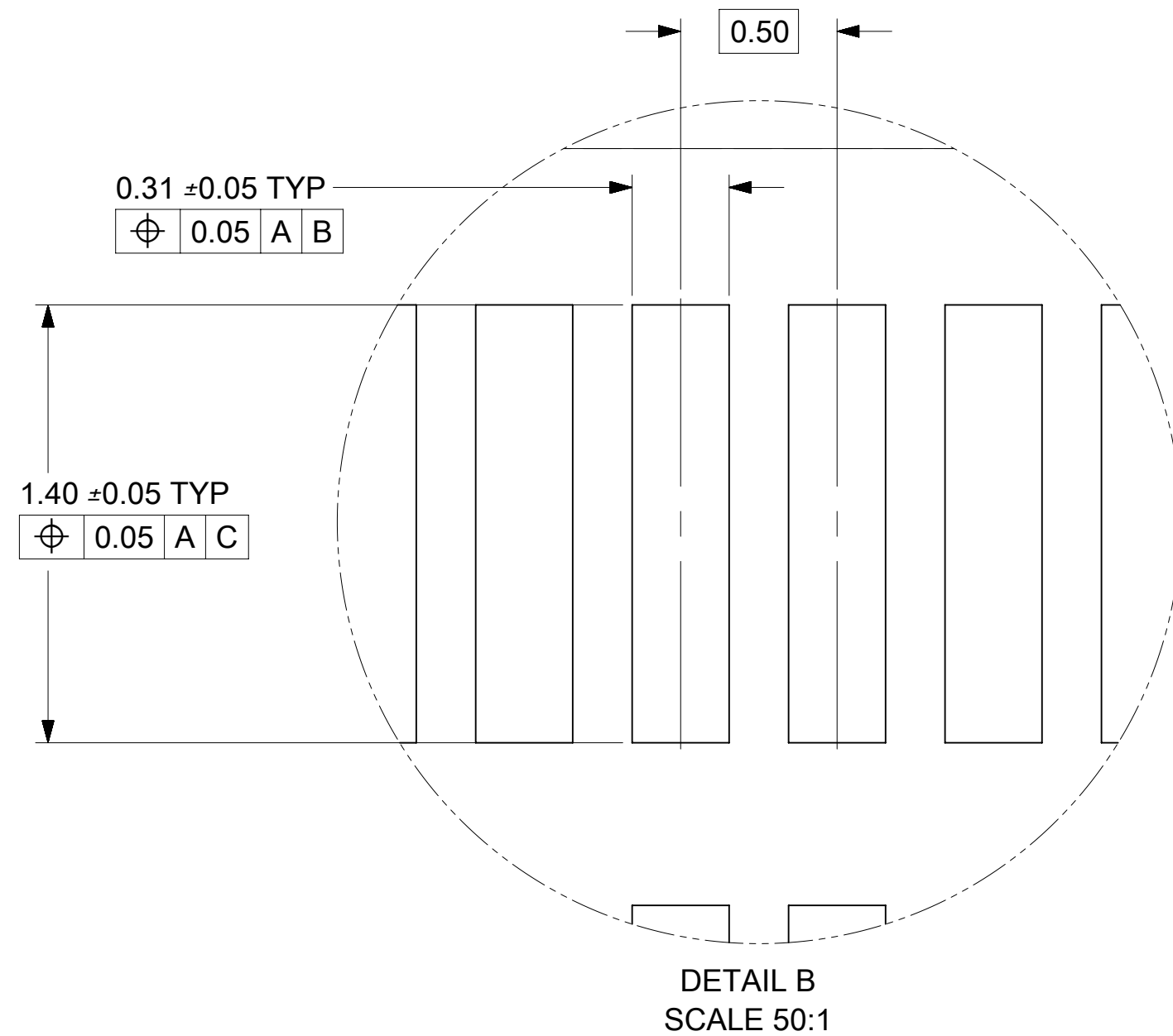
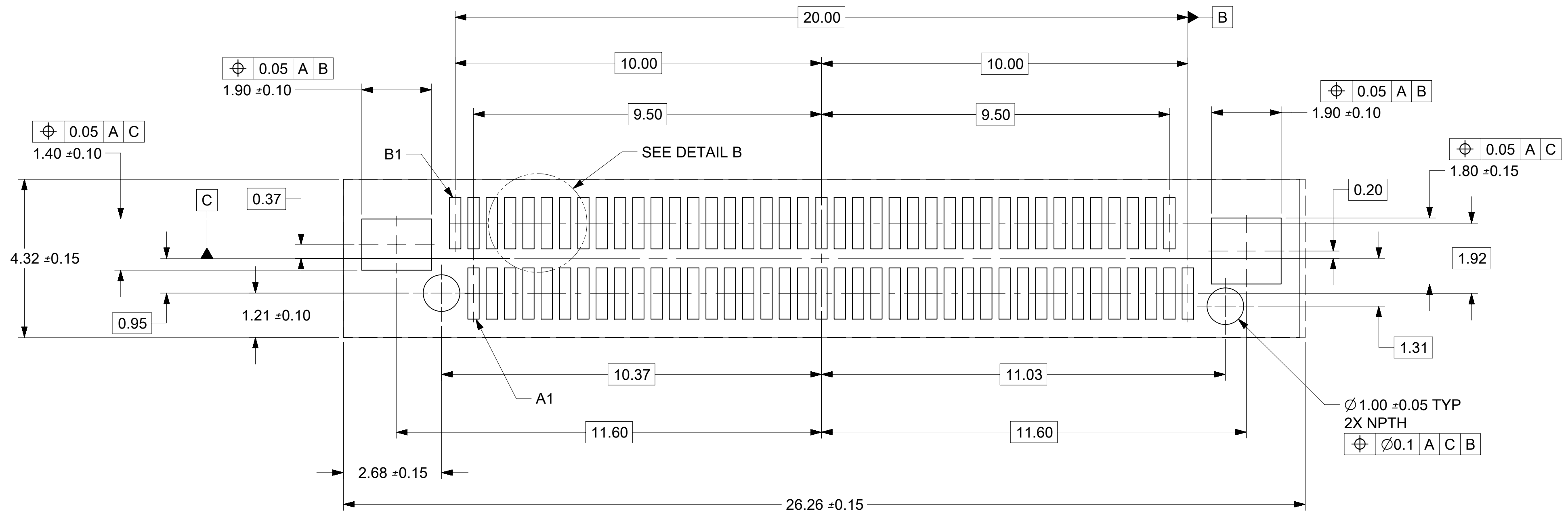
WITH CAP



- NOTES:
1. MANUFACTURED DATE CODE (JULIAN CALENDAR)
  2. SOLDER TAIL COPLANARITY, 0.10 MAX

THIS DRAWING CONTAINS INFORMATION THAT IS PROPRIETARY TO MOLEX ELECTRONIC TECHNOLOGIES, LLC AND SHOULD NOT BE USED WITHOUT WRITTEN PERMISSION									
REMASTERED IN ECTR EC NO: 619011 DRWN: CHEN103 CHKD: JKACHLIC REV / APPR: JKACHLIC	2019/06/13 2019/06/17		GENERAL TOLERANCES (UNLESS SPECIFIED)		DIMENSION UNITS		SCALE		
			MM INCH		MM ONLY		8:1		
	4 PLACES ±		±		DRWN BY		DATE		
	3 PLACES ±		±		BJANOWIAK		2015/05/11		
	2 PLACES ±		0.13 ±		CHK'D BY		DATE		
1 PLACES ±		0.25 ±		MJANTELEZIO		2015/05/11			
0 PLACES ±		±		APPR BY		DATE			
				MBANAKIS		2015/09/18			
		ANGULAR TOL = 0.5		DRAWING SIZE		THIRD ANGLE PROJECTION			
		DRAFT WHERE APPLICABLE MUST REMAIN WITHIN DIMENSIONS		C					
E1		REV / APPR: JKACHLIC		C					SERIES
						173162		MATERIAL NUMBER	CUSTOMER
						SEE SHEET 1		GENERAL MARKET	
						SD-173162-0002		DOC TYPE	DOC PART
						PSD		001	SHEET NUMBER
						4 OF 7			

# 8X SMT RECOMMENDED FOOTPRINT

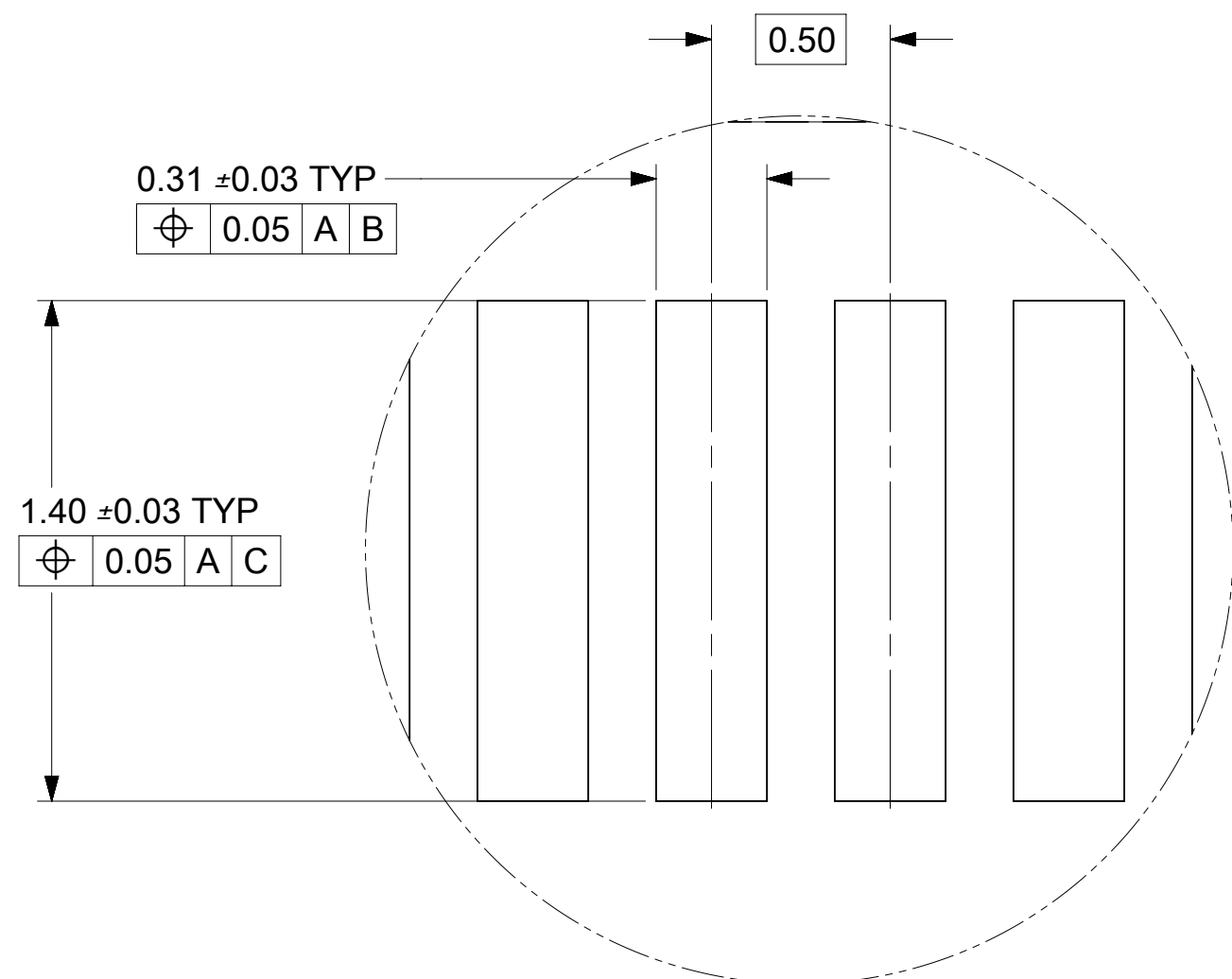
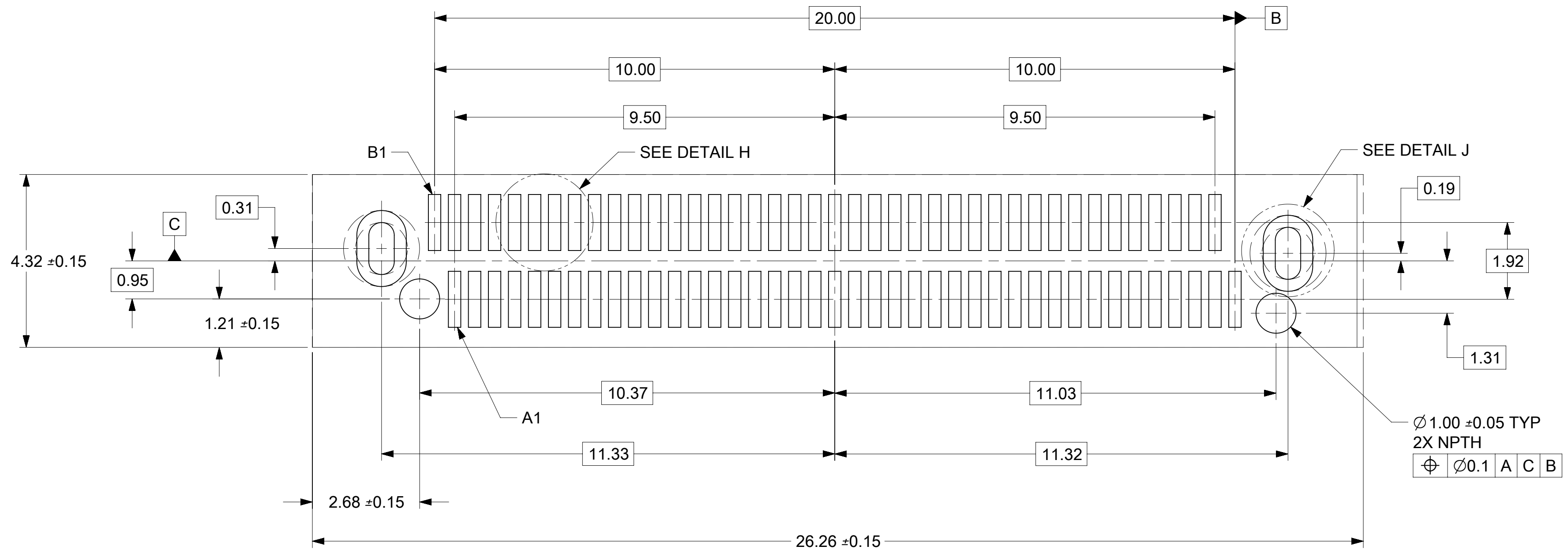


DETAIL B  
SCALE 50:1

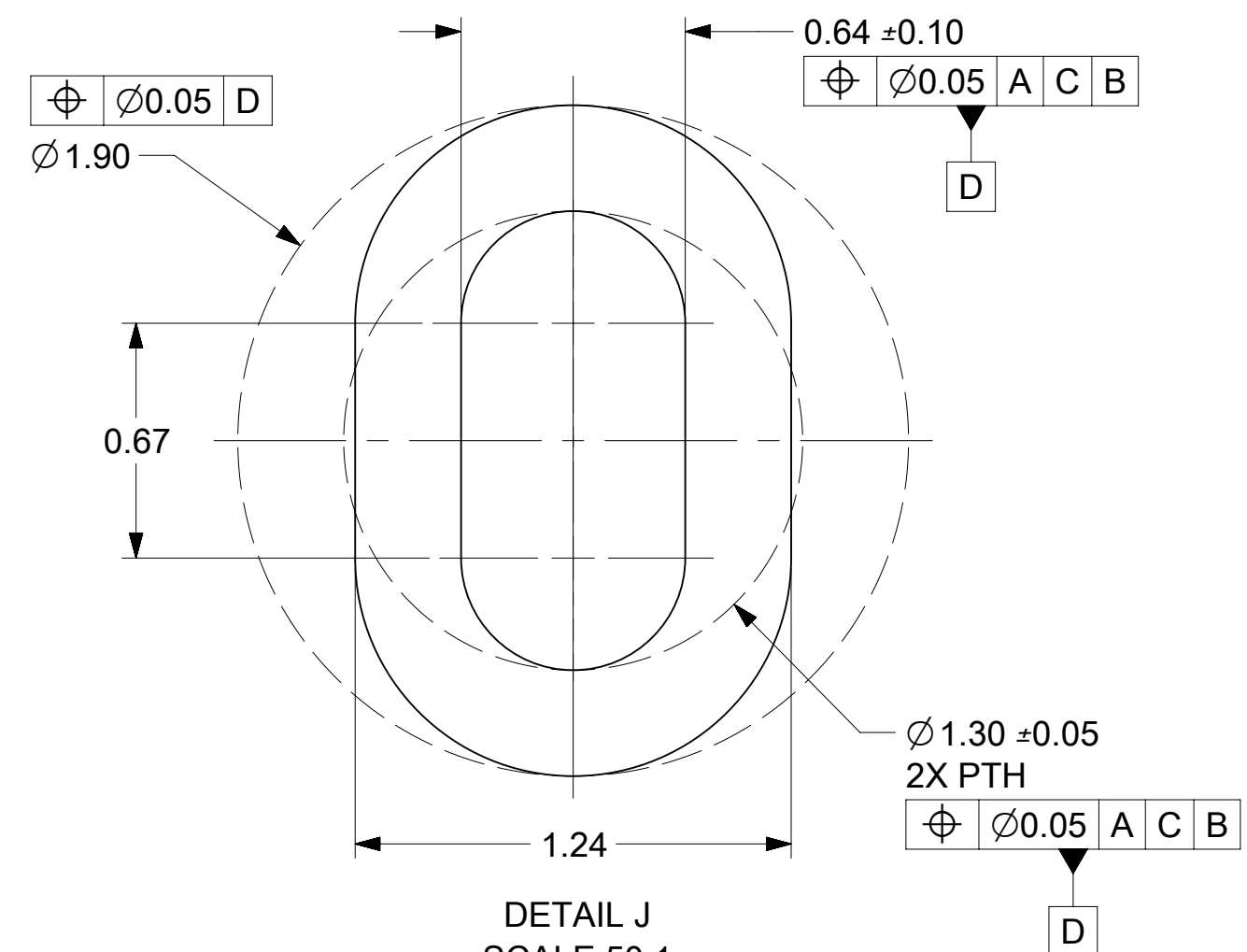
- NOTES:
1. MINIMUM RECOMMENDED SPACING BETWEEN ADJACENT CONNECTOR IS 28.50mm
  2. MINIMUM RECOMMENDED PCB THICKNESS: 1.57mm
  3. CONNECTOR KEEP OUT AREA
  4. DATUM -A- ESTABLISHED FROM TOP SURFACE OF PCB

THIS DRAWING CONTAINS INFORMATION THAT IS PROPRIETARY TO MOLEX ELECTRONIC TECHNOLOGIES, LLC AND SHOULD NOT BE USED WITHOUT WRITTEN PERMISSION										
REMASTERED IN ECTR EC NO: 619011 DRWN: CHEN103 CHKD: JKACHLIC REV / APPR: JKACHLIC	2019/06/13	2019/06/17	2019/06/17	GENERAL TOLERANCES (UNLESS SPECIFIED)		DIMENSION UNITS		SCALE		
				MM	INCH	MM ONLY		12:1		
	4 PLACES	±	±			DRWN BY	DATE		 NANO PITCH I/O FIXED 25G VERTICAL 8X	
	3 PLACES	±	±			BJANOWIAK	2015/05/11			
	2 PLACES	±	0.13	±			CHK'D BY	DATE		
1 PLACES	±	0.25	±			MJANTELEZIO	2015/05/11			
0 PLACES	±		±			APPR BY	DATE			
				ANGULAR TOL = 0.5		DRAWING SIZE		THIRD ANGLE PROJECTION		
				DRAFT WHERE APPLICABLE MUST REMAIN WITHIN DIMENSIONS		C				
PRODUCT CUSTOMER DRAWING			SERIES	MATERIAL NUMBER		CUSTOMER				
			173162	SEE SHEET 1		GENERAL MARKET				
RELEASE STATUS			P1		RELEASE DATE	2019/06/17		04:51:43		
DOCUMENT NUMBER			SD-173162-0002		DOC TYPE	PSD		DOC PART	001	
SHEET NUMBER			5 OF 7							

# 8X SOLDER TAIL RECOMMENDED FOOTPRINT



DETAIL H  
SCALE 50:1

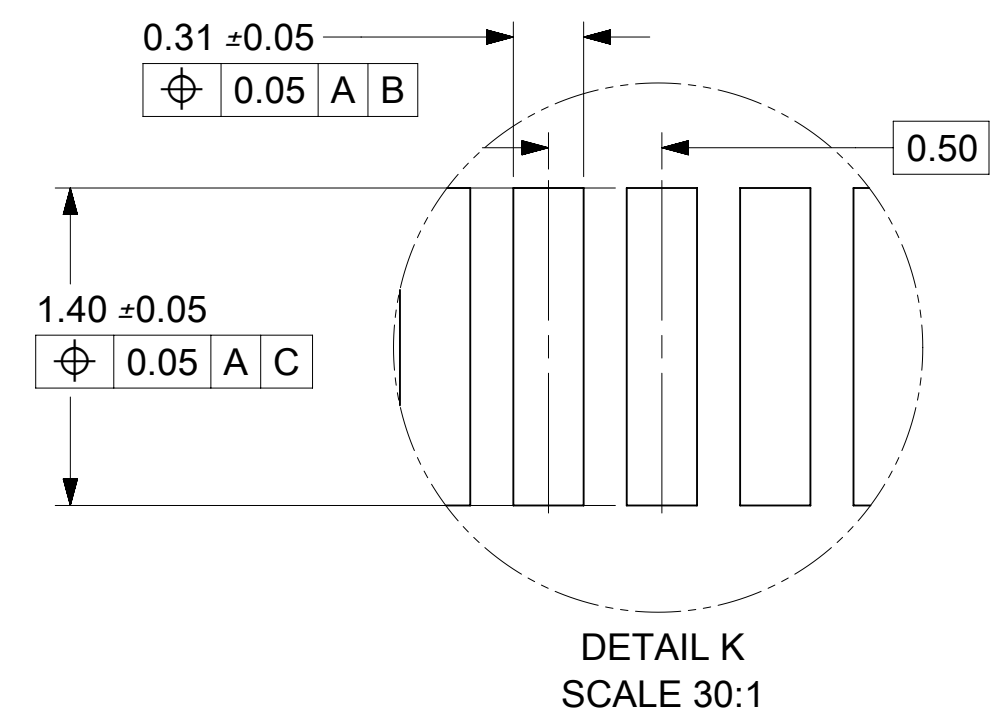
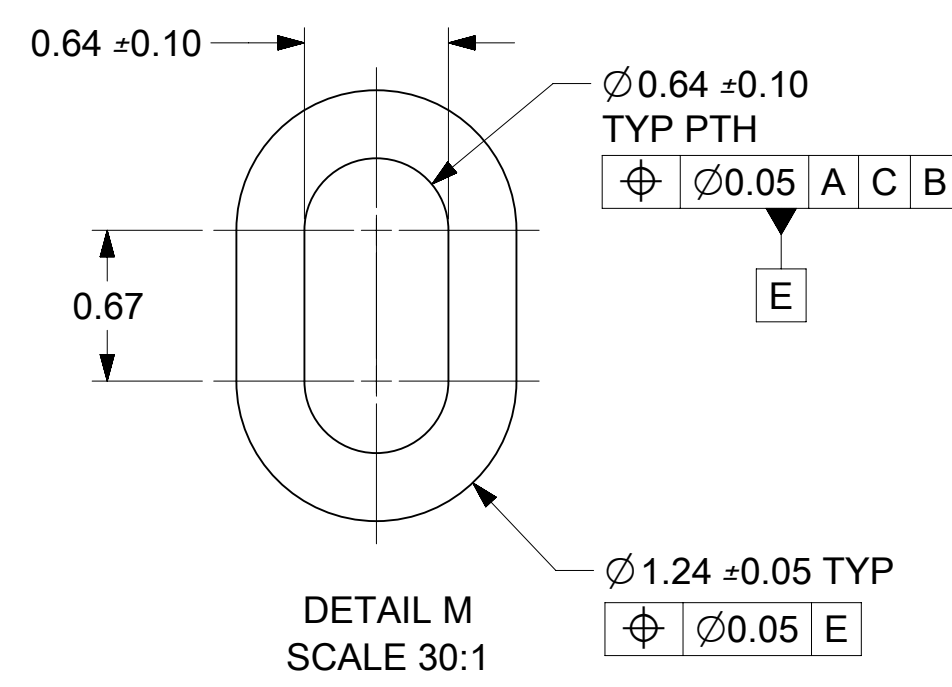
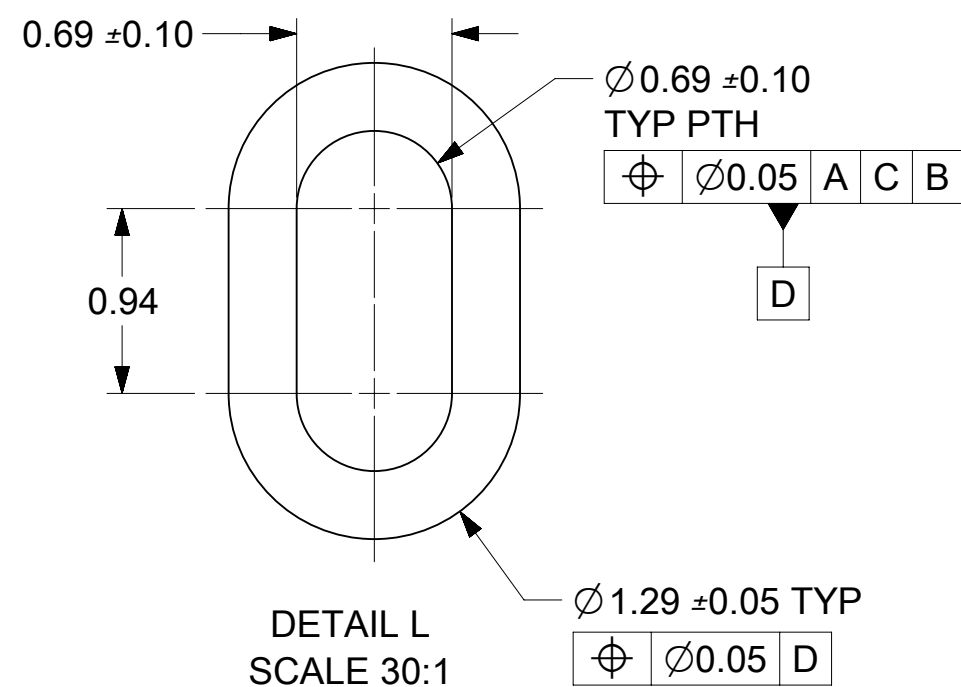
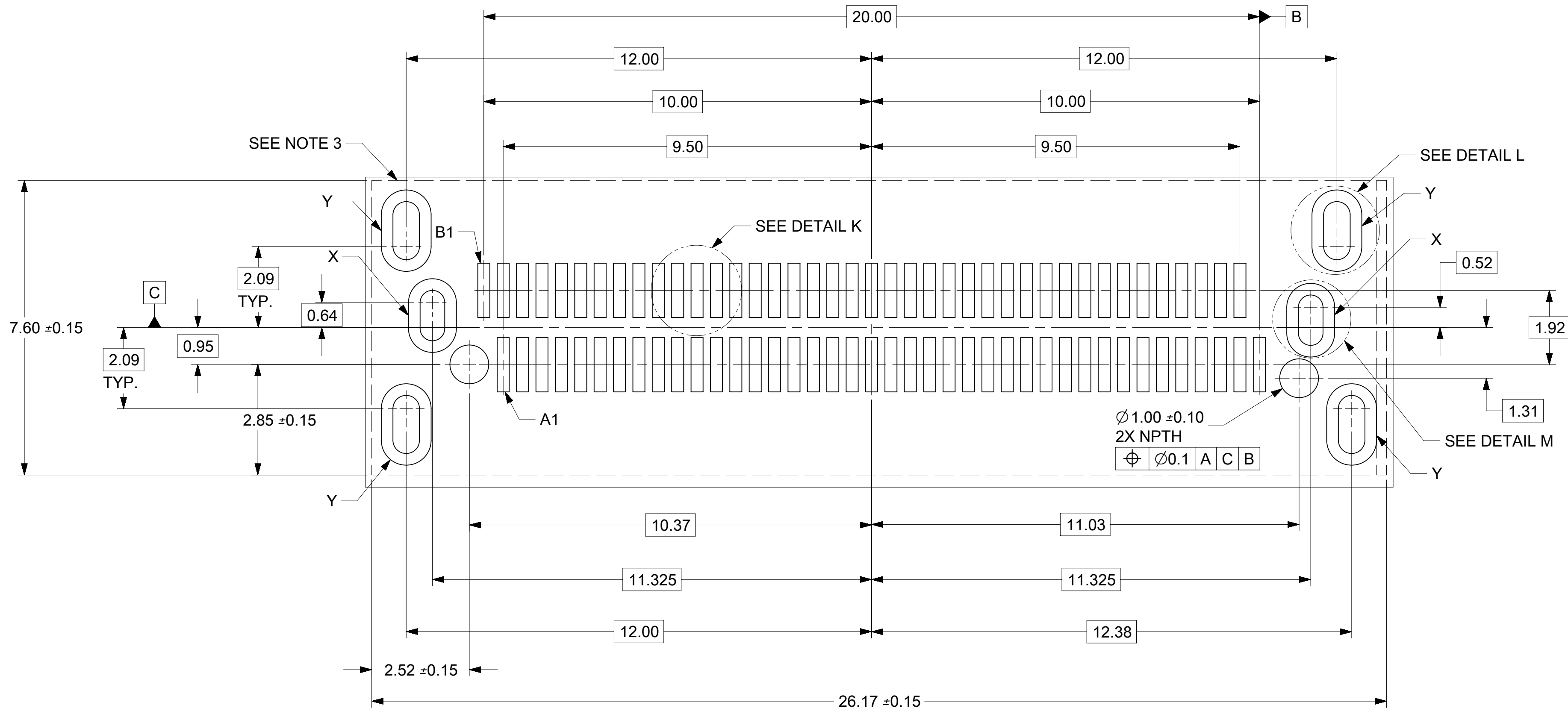


DETAIL J  
SCALE 50:1

- NOTES:
1. MINIMUM RECOMMENDED SPACING BETWEEN ADJACENT CONNECTOR IS 28.50mm
  2. MINIMUM RECOMMENDED PCB THICKNESS: 1.57mm
  3. CONNECTOR KEEP OUT AREA
  4. DATUM -A- ESTABLISHED FROM TOP SURFACE OF PCB

THIS DRAWING CONTAINS INFORMATION THAT IS PROPRIETARY TO MOLEX ELECTRONIC TECHNOLOGIES, LLC AND SHOULD NOT BE USED WITHOUT WRITTEN PERMISSION										
REMASTERED IN ECTR EC NO: 619011 DRWN: CCHEN103 CHKD: JKACHLIC REV / APPR: JKACHLIC	2019/06/13 2019/06/17		GENERAL TOLERANCES (UNLESS SPECIFIED)		DIMENSION UNITS SCALE					
			MM ONLY		12:1					
			4 PLACES ±		DRWN BY		DATE		NANO PITCH I/O FIXED 25G VERTICAL 8X	
			3 PLACES ±		BJANOWIAK		2015/05/11			
			2 PLACES ± 0.13		CHK'D BY		DATE			
		1 PLACES ± 0.25		MJANTELEZIO		2015/05/11				
		0 PLACES ±		APPR BY		DATE		PRODUCT CUSTOMER DRAWING		
		ANGULAR TOL = 0.5		MBANAKIS		2015/09/18		SERIES		
		DRAFT WHERE APPLICABLE MUST REMAIN WITHIN DIMENSIONS		DRAWING SIZE		THIRD ANGLE PROJECTION		173162		
E1				C				MATERIAL NUMBER		
								SEE SHEET 1		
								CUSTOMER		
								GENERAL MARKET		
								DOCUMENT NUMBER		
								SD-173162-0002		
								DOC TYPE		
								PSD		
								DOC PART		
								001		
								SHEET NUMBER		
								6 OF 7		

# 8X COMMON TAIL/XD RECOMMENDED FOOTPRINT



- NOTES:
1. MINIMUM RECOMMENDED SPACING BETWEEN ADJACENT CONNECTOR IS 28.50mm
  2. MINIMUM RECOMMENDED PCB THICKNESS: 1.57mm
  3. CONNECTOR KEEP OUT AREA
  4. DATUM -A- ESTABLISHED FROM TOP SURFACE OF PCB
  5. COMMON FOOTPRINT SHOWN FOR XD ONLY PATTERN USE ONLY PTH DENOTED "Y" FOR TAIL ONLY PATTERN USE ONLY PTH DENOTED "X"

THIS DRAWING CONTAINS INFORMATION THAT IS PROPRIETARY TO MOLEX ELECTRONIC TECHNOLOGIES, LLC AND SHOULD NOT BE USED WITHOUT WRITTEN PERMISSION					
REMASTERED IN ECTR EC NO: 619011 DRWN: CCHEN103 CHKD: JKACHLIC REV / APPR: JKACHLIC	GENERAL TOLERANCES (UNLESS SPECIFIED)		DIMENSION UNITS	SCALE	 NANO PITCH I/O FIXED 25G VERTICAL 8X PRODUCT CUSTOMER DRAWING SERIES: 173162 MATERIAL NUMBER: SEE SHEET 1 CUSTOMER: GENERAL MARKET DOCUMENT NUMBER: SD-173162-0002 DOC TYPE: PSD DOC PART: 001 SHEET NUMBER: 7 OF 7
			MM ONLY	12:1	
			DRWN BY	DATE	
			BJANOWIAK	2015/05/11	
			CHK'D BY	DATE	
		MJANTELEZIO	2015/05/11		
		APPR BY	DATE		
		MBANAKIS	2015/09/18		
		ANGULAR TOL = 0.5	DRAWING SIZE	THIRD ANGLE PROJECTION	
		DRAFT WHERE APPLICABLE MUST REMAIN WITHIN DIMENSIONS	C		