

Würth Elektronik eiSos GmbH & Co. KG

EMC & Inductive Solutions

Max-Eyth-Straße 1 · 74638 Waldenburg · Germany

Tel. +49 (0) 79 42 945-0 · Fax +49 (0) 79 42 945-400

eiSos@we-online.de · www.we-online.de



Product / Process Change Notification (PCN)

- Major change
 Minor change

PCN #: PCN_IndFI_20201218

Affected Series: WE-FI; 74470xx

PCN Date: September 11, 2020

Effective Date: December 11, 2020

Change Category:

- Equipment / Location
 General Data
 Material
 Process
 Product Design
 Shipping / Packaging
 Supplier
 Software

Contact: Product Management

Phone: +49 (0) 7942 - 945 5001

Fax: +49 (0) 7942 - 945 5179

E-Mail: pcn.eisos@we-online.com

Data Sheet Change:

- Yes No

Attachment:

- Yes No

DESCRIPTION AND PURPOSE OF CHANGE:

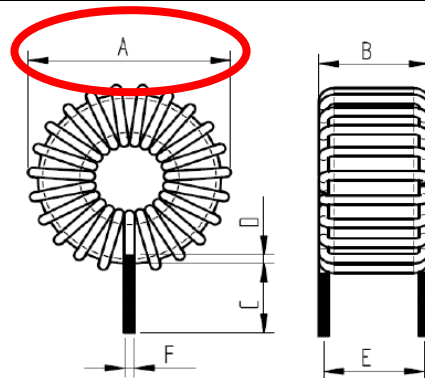
As a datasheet amendment, Würth Elektronik will change the layout of the datasheet to a newer version.

Because of a database mismatch, Würth Elektronik will correct the mechanical dimensions of the parts specified in "Detail of change".

This is a datasheet correction only. There will be no change in form, fit, function, quality or reliability of the product.

DETAIL OF CHANGE:

| Part Number | Length before Change [A] max. | Length after Change [A] max. |
|-------------|-------------------------------|------------------------------|
| 7447011 | 17.5 mm | 18.5 mm |
| 7447021 | 15.5 mm | 16.5 mm |
| 7447022 | 15 mm | 15.5 mm |
| 7447024 | 15 mm | 15.6 mm |
| 7447030 | 13 mm | 13.5 mm |
| 7447032 | 13 mm | 13.5 mm |
| 7447034 | 13 mm | 13.5 mm |
| 7447035 | 13 mm | 13.5 mm |



Würth Elektronik eiSos GmbH & Co. KG

EMC & Inductive Solutions

Max-Eyth-Straße 1 · 74638 Waldenburg · Germany

Tel. +49 (0) 79 42 945-0 · Fax +49 (0) 79 42 945-400

eiSos@we-online.de · www.we-online.de



| Part Number | Width before Change [B] max. | Width after Change [B] max. | |
|-------------|------------------------------|-----------------------------|--|
| 7447010 | 9.5 mm | 11.6 mm | |
| 7447011 | 9 mm | 10.7 mm | |
| 7447012 | 9 mm | 10.7 mm | |
| 7447013 | 9.5 mm | 10.5 mm | |
| 7447014 | 9.5 mm | 9.2 mm | |
| 7447015 | 8.5 mm | 11 mm | |
| 7447016 | 10.5 mm | 11.1 mm | |
| 7447019 | 17 mm | 17.2 mm | |
| 7447020 | 7.5 mm | 9.6 mm | |
| 7447021 | 8 mm | 9.7 mm | |
| 7447022 | 7.5 mm | 7.6 mm | |
| 7447023 | 9 mm | 9.9 mm | |
| 7447024 | 7 mm | 8.7 mm | |
| 7447025 | 8.5 mm | 9.5 mm | |
| 7447026 | 8.5 mm | 9.1 mm | |
| 7447028 | 7.5 mm | 9.1 mm | |
| 74470291 | 8.5 mm | 9.5 mm | |
| 7447030 | 6 mm | 7.4 mm | |
| 7447031 | 7 mm | 8.6 mm | |
| 7447032 | 5.5 mm | 7.4 mm | |
| 7447033 | 7 mm | 8.7 mm | |
| 7447034 | 6.5 mm | 7.5 mm | |
| 7447035 | 6 mm | 6.7 mm | |
| 7447036 | 7.5 mm | 8.5 mm | |
| 7447037 | 6 mm | 7.3 mm | |
| 7447040 | 5 mm | 6.9 mm | |
| 7447041 | 5.5 mm | 7 mm | |
| 7447044 | 6 mm | 7.7 mm | |
| 7447051 | 4.5 mm | 6.4 mm | |
| 7447052 | 5.5 mm | 6.6 mm | |
| 7447054 | 5.5 mm | 7.8 mm | |
| 7447060 | 11 mm | 11.2 mm | |
| 7447065 | 12 mm | 12.9 mm | |
| 7447070 | 11 mm | 11.5 mm | |
| 7447071 | 12 mm | 13.4 mm | |
| 7447075 | 15 mm | 16.4 mm | |
| 7447076 | 13 mm | 13.6 mm | |

Würth Elektronik eiSos GmbH & Co. KG

EMC & Inductive Solutions

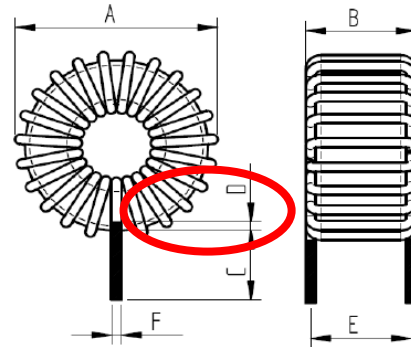
Max-Eyth-Straße 1 · 74638 Waldenburg · Germany

Tel. +49 (0) 79 42 945-0 · Fax +49 (0) 79 42 945-400

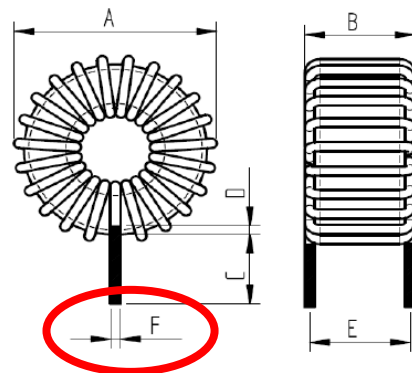
eiSos@we-online.de · www.we-online.de



| Part Number | Tin Length before Change [D] | Tin Length after Change [D] min. |
|-------------|------------------------------|----------------------------------|
| 7447015 | 1.5 mm | 1 mm |
| 7447017 | 1.5 mm | 1 mm |
| 7447019 | 2 mm | 1 mm |
| 7447021 | 1.5 mm | 1 mm |
| 7447022 | 1.5 mm | 1 mm |
| 7447025 | 1.5 mm | 1 mm |
| 7447026 | 0 mm | 1 mm |
| 7447031 | 1.5 mm | 1 mm |
| 7447032 | 1.5 mm | 1 mm |
| 7447035 | 1.5 mm | 1 mm |
| 7447037 | 1.5 mm | 1 mm |
| 7447040 | 1.5 mm | 1 mm |
| 7447041 | 1.5 mm | 1 mm |
| 7447042 | 1.5 mm | 1 mm |
| 7447043 | 1.5 mm | 1 mm |
| 7447051 | 1.5 mm | 1 mm |
| 7447052 | 1.5 mm | 1 mm |



| Part Number | Pin Diameter before Change [F] | Pin Diameter after Change [F] |
|-------------|--------------------------------|-------------------------------|
| 7447013 | 0.798 mm | 0.8 mm |
| 7447014 | 0.798 mm | 0.6 mm |
| 7447015 | 0.802 mm | 0.8 mm |
| 7447020 | 0.498 mm | 0.5 mm |
| 7447021 | 0.598 mm | 0.6 mm |
| 7447023 | 0.802 mm | 0.8 mm |
| 7447024 | 0.598 mm | 0.6 mm |
| 7447025 | 0.802 mm | 0.8 mm |
| 7447026 | 0.998 mm | 1 mm |
| 7447027 | 0.998 mm | 1 mm |
| 7447031 | 0.498 mm | 0.5 mm |
| 7447033 | 0.598 mm | 0.6 mm |
| 7447035 | 0.598 mm | 0.6 mm |
| 7447040 | 0.302 mm | 0.3 mm |
| 7447041 | 0.398 mm | 0.4 mm |
| 7447042 | 0.302 mm | 0.3 mm |
| 7447043 | 0.498 mm | 0.5 mm |
| 7447044 | 0.598 mm | 0.6 mm |
| 7447051 | 0.29 mm | 0.3 mm |
| 7447052 | 0.498 mm | 0.5 mm |
| 7447053 | 0.498 mm | 0.5 mm |
| 7447054 | 0.602 mm | 0.6 mm |
| 7447065 | 1 mm | 0.8 mm |



Würth Elektronik eiSos GmbH & Co. KG

EMC & Inductive Solutions

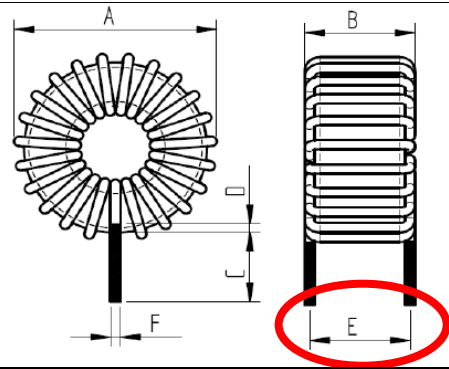
Max-Eyth-Straße 1 · 74638 Waldenburg · Germany

Tel. +49 (0) 79 42 945-0 · Fax +49 (0) 79 42 945-400

eiSos@we-online.de · www.we-online.de



| Part Number | Pin Distance before Change [E] | Pin Distance after Change [E] |
|-------------|--------------------------------|-------------------------------|
| 7447022 | 6.5 ± 2 mm | 6 ± 2 mm |



RELIABILITY / QUALIFICATION SUMMARY:

There will be no change of the product, therefore no additional reliability or qualification testing will be performed.