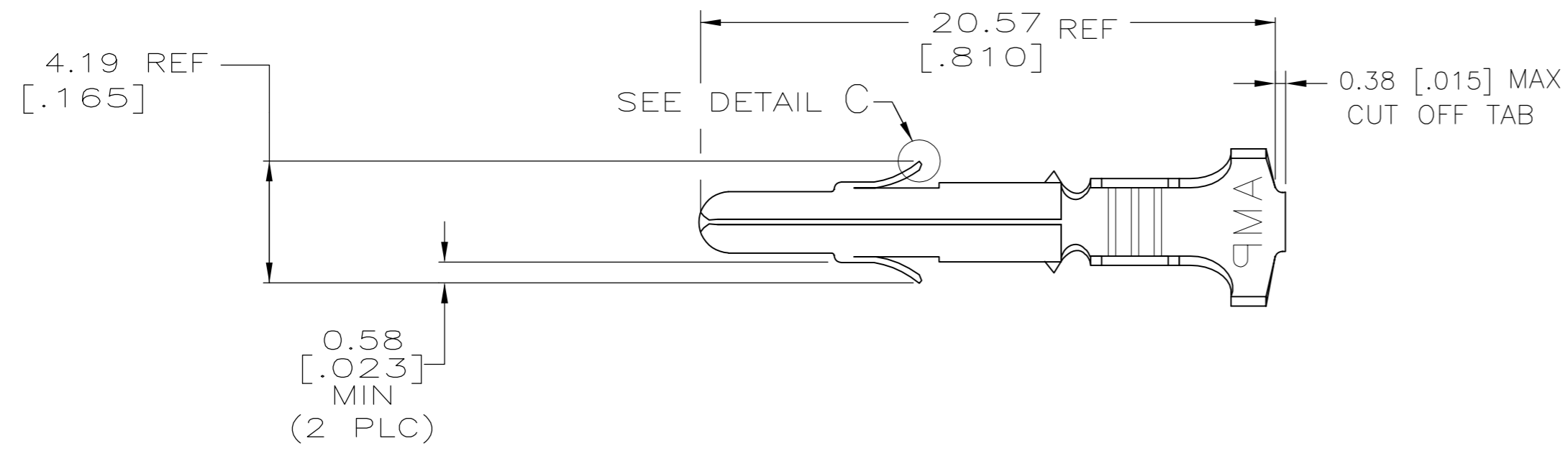
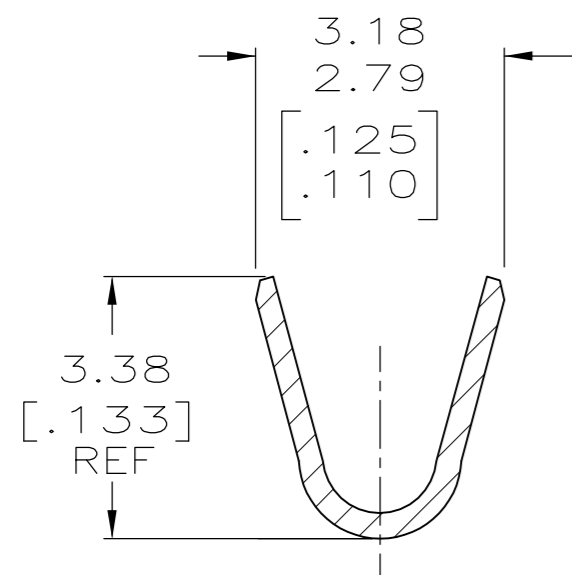
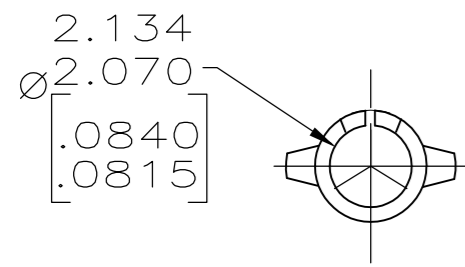
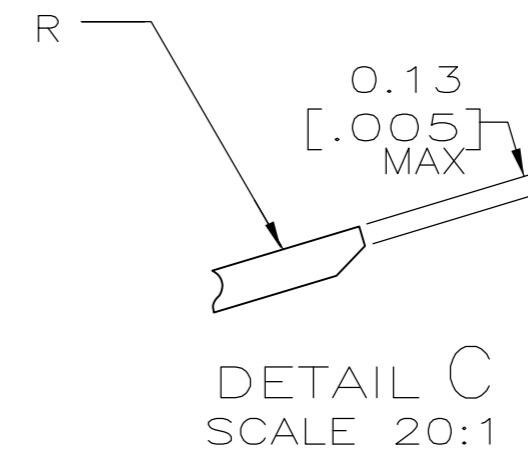
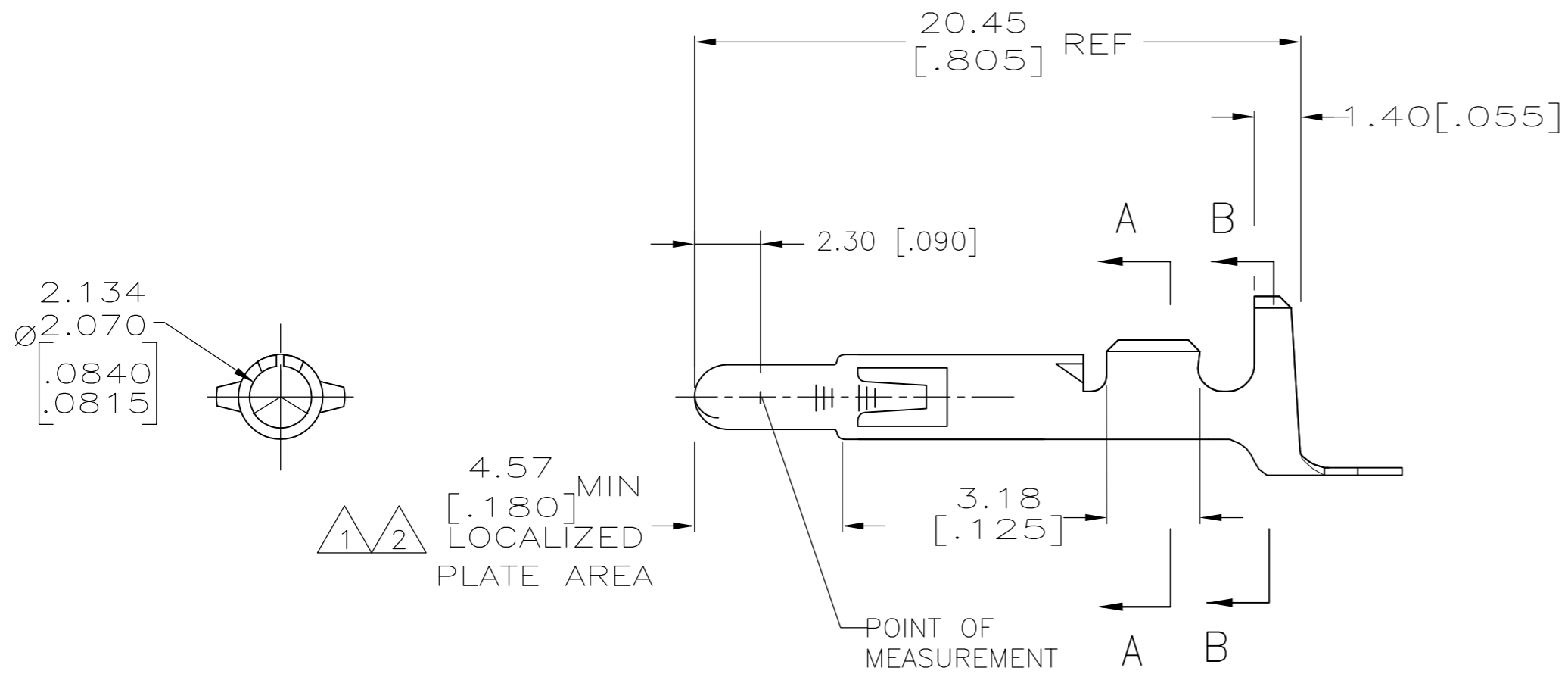


THIS DRAWING IS UNPUBLISHED. RELEASED FOR PUBLICATION
 © COPYRIGHT - By - ALL RIGHTS RESERVED.

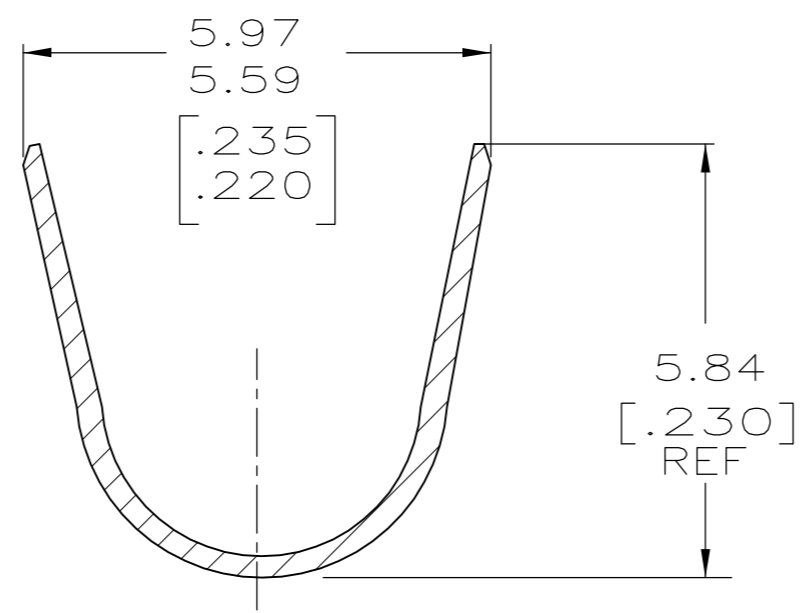
LOC		DIST		REVISIONS			
P	LTR	DESCRIPTION	DATE	DWN	APVD		
CM	00						
	T	REVISED PER ECR-12-013323	09AUG12	KH	TM		
	T1	REVISED PER ECR-14-001607	11FEB14	AV	GK		



- 1 PLATED WITH 0.00076[.000030] GOLD OVER 0.00127[.000050] MIN THK NICKEL UNDERPLATE.
- 2 GOLD OVER NICKEL ON ENTIRE STAMPING; 0.00076[.000030] GOLD MINIMUM AT OINT OF MEASUREMENT IN CONTACT AREA, GOLD FLASH MINIMUM IN WIRE BARREL.
- 3 DIMENSIONS IN BRACKETS ARE IN INCHES.
- 4 WIRE RANGE: 20-14 AWG
INSULATION RANGE : 3.30-5.08 [.130-.200] DIA.



SECTION A-A
SCALE 10:1



SECTION B-B
SCALE 10:1

FINISH	MATERIAL	PART NO
GOLD 2	0.30 [.012] BRASS	350552-7
GOLD 2	0.30 [.012] PH BZ	350552-6
TIN	0.30 [.012] PH BZ	350552-3
GOLD 1	0.30 [.012] BRASS	350552-2
TIN	0.30 [.012] BRASS	350552-1

THIS DRAWING IS A CONTROLLED DOCUMENT.		DWN K. WHITAKER 12NOV2004	TE Connectivity	
DIMENSIONS: mm [INCHES]		CHK S. RIDGILL 12NOV2004		
TOLERANCES UNLESS OTHERWISE SPECIFIED:		APVD S. RIDGILL 12NOV2004	NAME PIN, (LOOSE PIECE), UNIVERSAL MATE-N-LOK™	
0 PLC ± -		PRODUCT SPEC	SIZE A2	
1 PLC ± -		APPLICATION SPEC	CAGE CODE 00779	
2 PLC ± 0.13 [.005]		WEIGHT	DRAWING NO C=350552	
3 PLC ± -		RESTRICTED TO	SCALE 5:1	
4 PLC ± -			SHEET 1 OF 1	
ANGLES ± 0°30'			REV T1	
FINISH		CUSTOMER DRAWING		