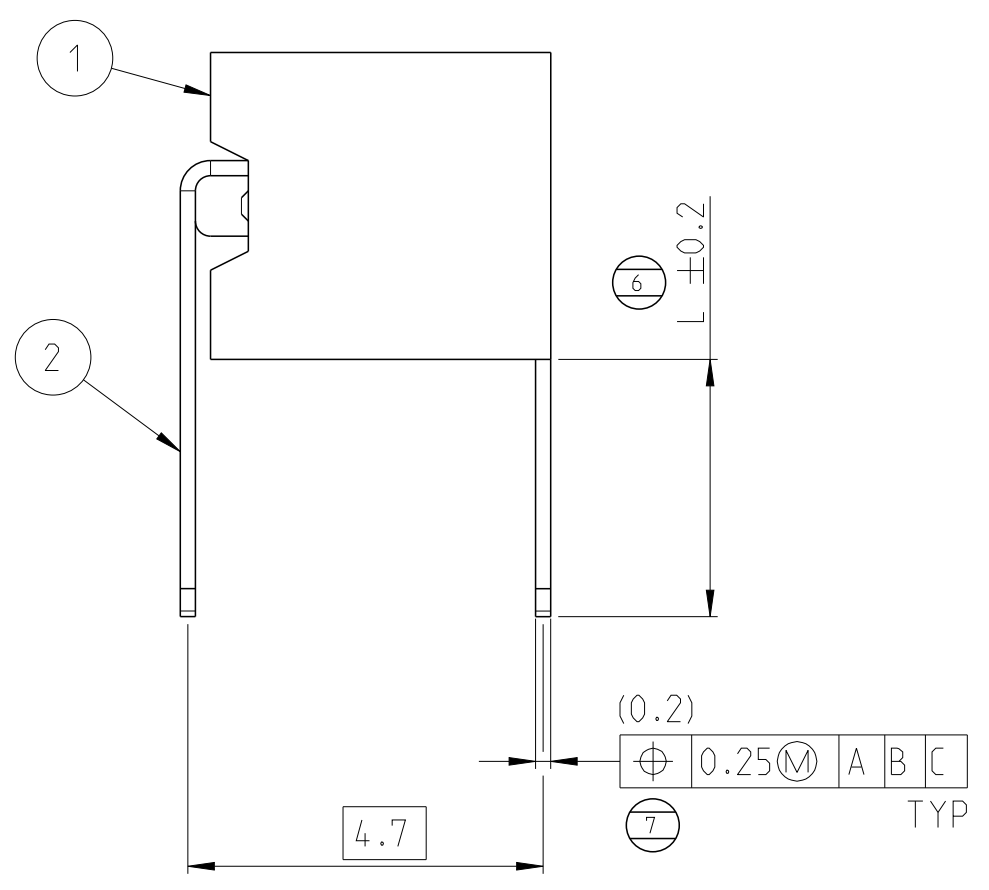
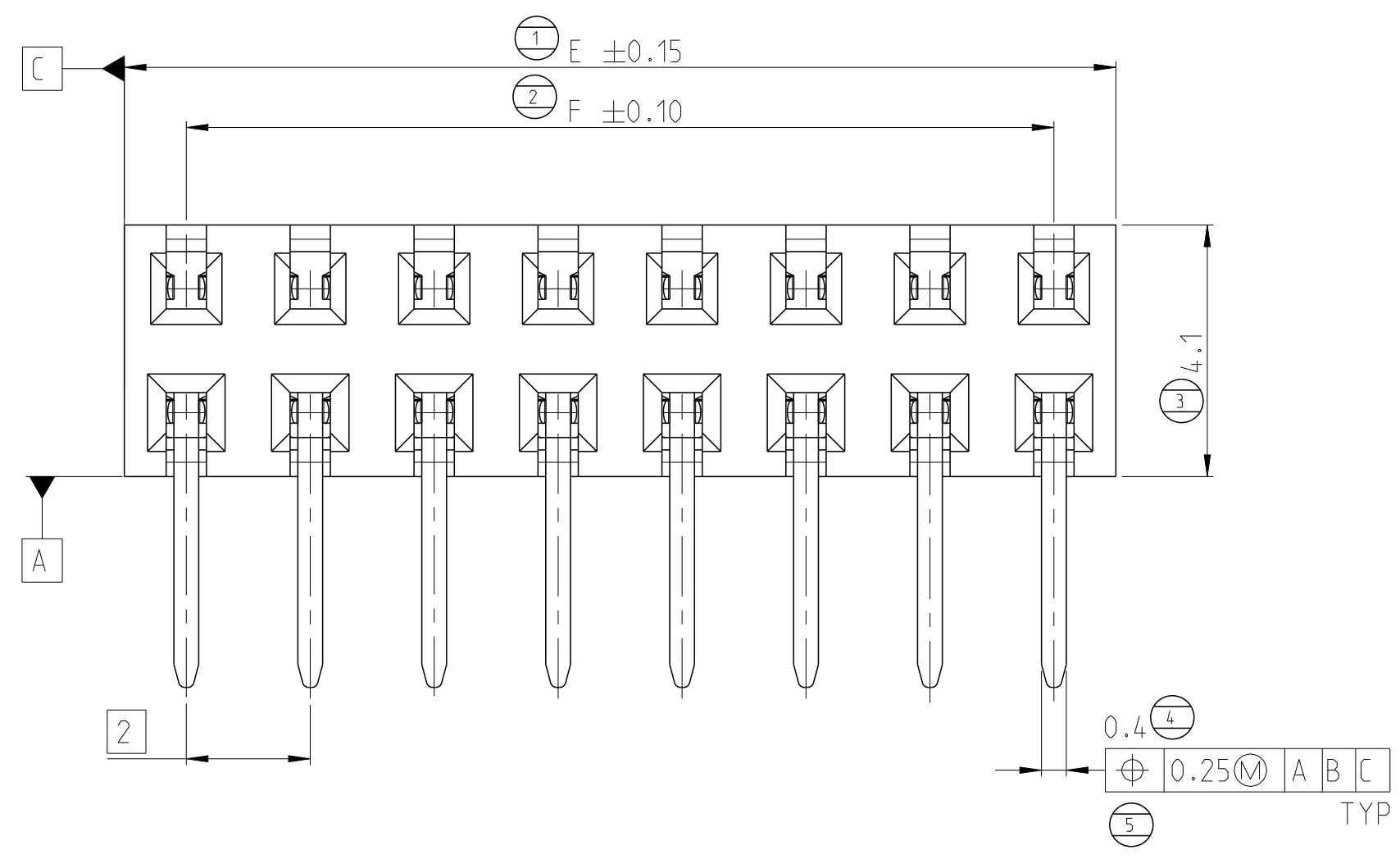
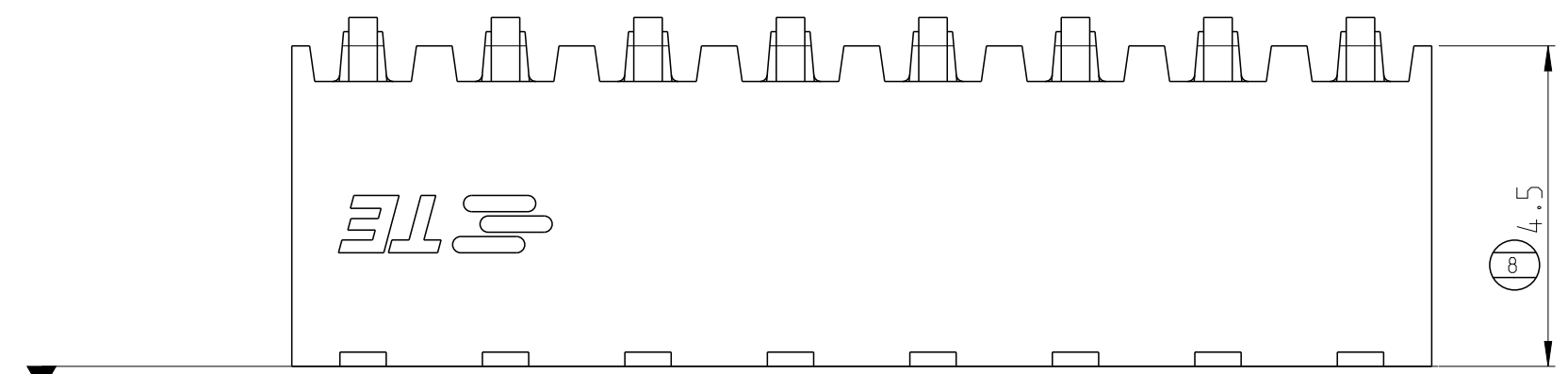


© 2021 TE Connectivity. All Rights Reserved.

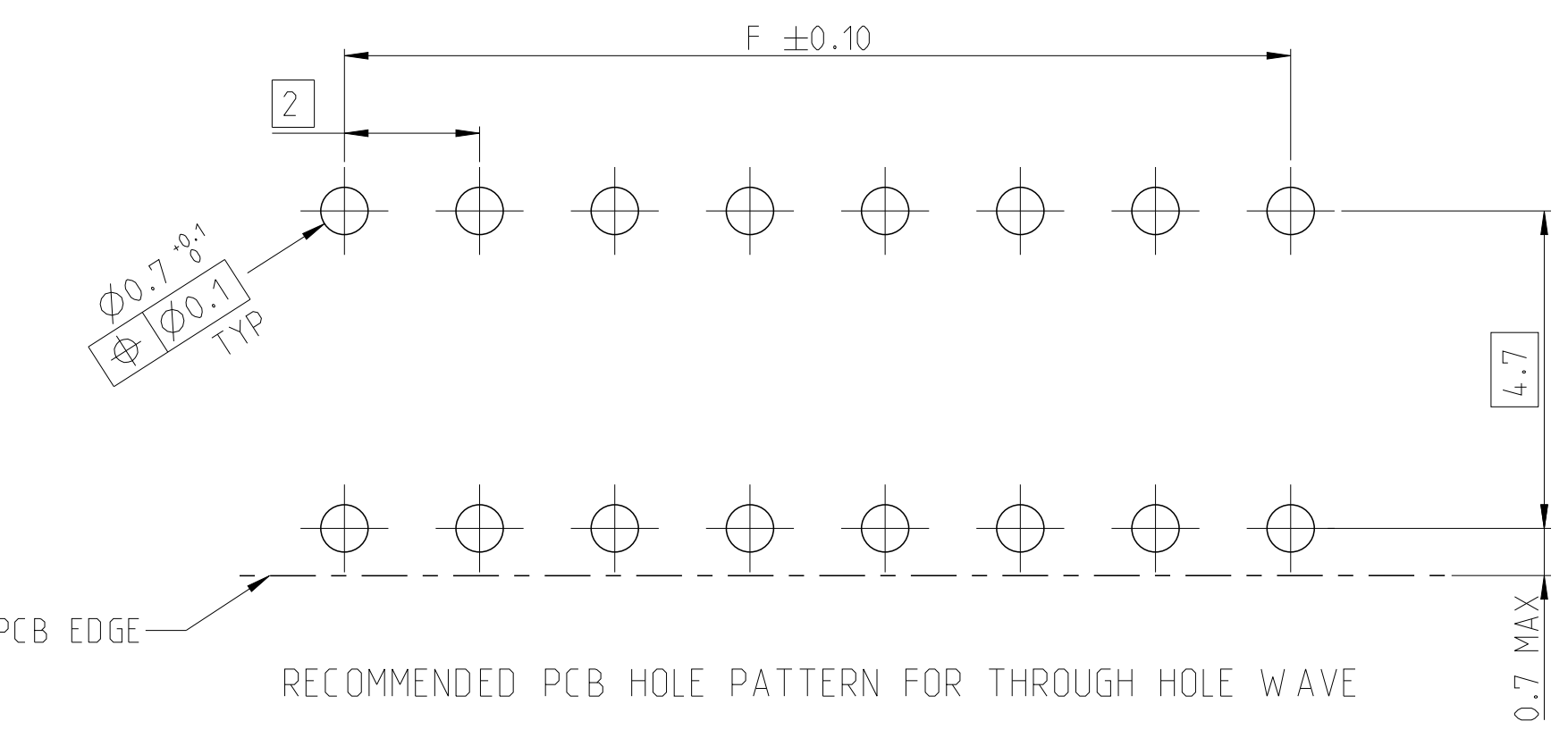
REVISIONS				
P	LTR	DESCRIPTION	DATE	APVD
A2		ECR-21-115824	05OCT2021	SCB AY
A3		SMART PN DETAILS ADDED	19APR2022	SCB PS



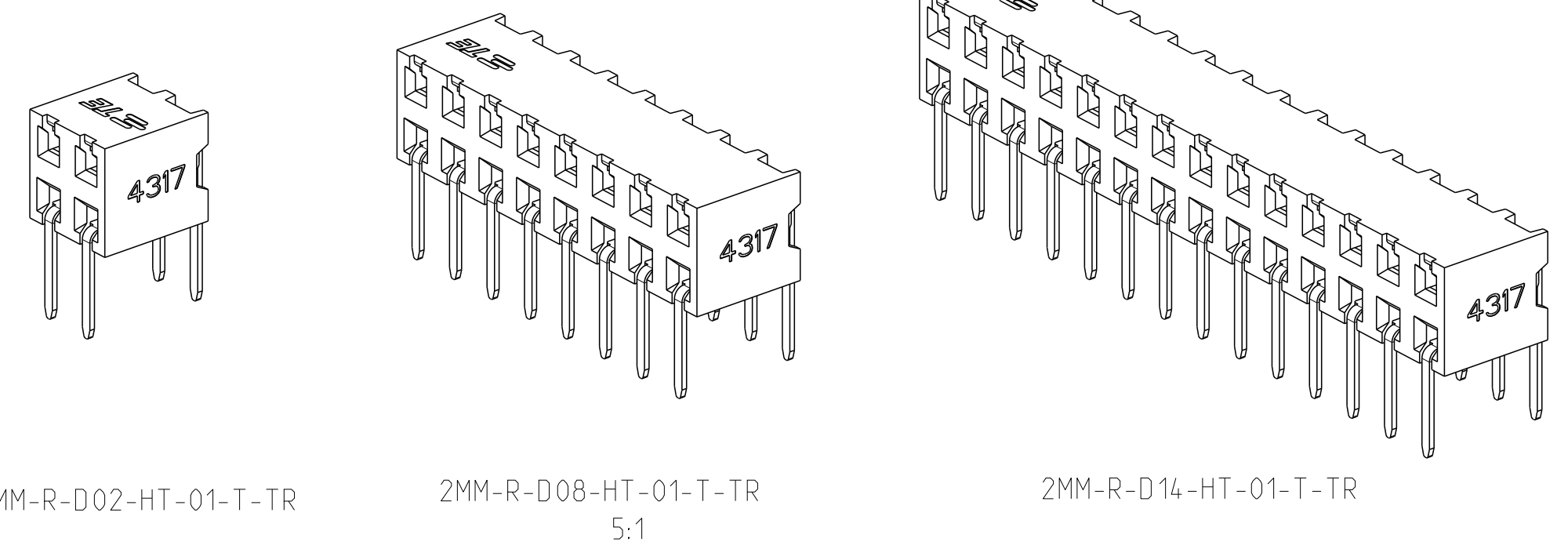
- NOTES:
- 1 MATERIAL:
HOUSING: LCP, UL94 V0, BLACK
CONTACT: PHOSPHOR BRONZE, 0.20mm THICK.
 - 2 ALL OVER 3-5 μm TIN OVER MIN 1.27 μm NICKEL UNDERPLATE
 - 3 CONTACT AREA: MIN 0.1 μm GOLD
SOLDER TAIL: 3-5 μm TIN
UNDERPLATING: MIN 1.27 μm NICKEL ALL OVER
 - 4 CONTACT AREA: MIN 0.38 μm GOLD
SOLDER TAIL: 3-5 μm TIN
UNDERPLATING: MIN 1.27 μm NICKEL ALL OVER
 - 5 CONTACT AREA: MIN 0.76 μm GOLD
SOLDER TAIL: 3-5 μm TIN
UNDERPLATING: MIN 1.27 μm NICKEL ALL OVER
 - 6 N = NO. OF POSITIONS PER CONNECTOR.



CONTACT	2
HOUSING	1
DESCRIPTION	ITEM



RECOMMENDED PCB HOLE PATTERN FOR THROUGH HOLE WAVE



2MM-R-D02-HT-01-T-TR 2MM-R-D08-HT-01-T-TR 5:1 2MM-R-D14-HT-01-T-TR

THIS DRAWING IS A CONTROLLED DOCUMENT.		DWN 28NOV2017 SOURAV DAS	TE Connectivity	
DIMENSIONS: mm		CHK 22NOV2018 SHARATH S		
TOLERANCES UNLESS OTHERWISE SPECIFIED:		APVD 22NOV2018 PRASHANTH S	NAME AMPMODU 2mm, BtB RECEPTACLE, DUAL ROW HORIZONTAL, TH/THR	
0 PLC ±		PRODUCT SPEC 108-64040	SIZE A2	
1 PLC ±0.2		APPLICATION SPEC 114-32186	CAGE CODE 00779	DRAWING NO C-2307712
2 PLC ±0.1		WEIGHT -	SCALE 5:1	SHEET 1 OF 2
3 PLC ±		CUSTOMER DRAWING	RESTRICTED TO -	REV A3
4 PLC ±				
ANGLES ±2°				
FINISH SEE NOTES				

REVISIONS

P	LTR	DESCRIPTION	DATE	DWN	APVD
-		SEE SHEET 1	-	-	-

MATING SIDE PLATING (FINISH)	"L" SOLDER TAIL LENGTH	BTB RECEPTACLE BASE NUMBERS	
		TAPE & REEL PKG W/O CAP	TUBE PKG W/O CAP
TIN 2	2.1	2MM-R-D__-HT-01-T-TR	2MM-R-D__-HT-01-T-TB
	2.8	2MM-R-D__-HT-02-T-TR	2MM-R-D__-HT-02-T-TB
	3.4	A/R	2MM-R-D__-HT-03-T-TB
GOLD FLASH 0.1µm 3	2.1	2MM-R-D__-HT-01-F-TR	2MM-R-D__-HT-01-F-TB
	2.8	2MM-R-D__-HT-02-F-TR	2MM-R-D__-HT-02-F-TB
	3.4	A/R	2MM-R-D__-HT-03-F-TB
GOLD 0.38µm 4	2.1	2MM-R-D__-HT-01-M-TR	2MM-R-D__-HT-01-M-TB
	2.8	2MM-R-D__-HT-02-M-TR	2MM-R-D__-HT-02-M-TB
	3.4	A/R	2MM-R-D__-HT-03-M-TB
GOLD 0.76µm 5	2.1	2MM-R-D__-HT-01-H-TR	2MM-R-D__-HT-01-H-TB
	2.8	2MM-R-D__-HT-02-H-TR	2MM-R-D__-HT-02-H-TB
	3.4	A/R	2MM-R-D__-HT-03-H-TB

* A/R- AVAILABLE ON REQUEST

SMART PART NUMBER
2MM - R - D__ - HT - __ - __ - __

PRODUCT SERIES

2MM AMPMODU 2mm SERIES

PACKAGING

TR	TAPE AND REELING WITHOUT CAP
TB	TUBE WITHOUT CAP

GENDER / TYPE

R RECEPTACLE

PLATING

T	TIN
F	GOLD FLASH
M	15µm GOLD
H	30µm GOLD

NUMBER OF ROWS

D DOUBLE ROW

TAIL LENGTH

01	2.1 mm
02	2.8 mm
03	3.4 mm

NUMBER OF PINS PER ROW

XX 02 THROUGH 25 (ENTER TWO DIGITS)

ORIENTATION & TERMINATION

HT HORIZONTAL (RIGHT ANGLE) THROUGH HOLE

48	50	50	2MM-R-D25-HT-01-T-TR
46	48	48	2MM-R-D24-HT-01-T-TR
44	46	46	2MM-R-D23-HT-01-T-TR
42	44	44	2MM-R-D22-HT-01-T-TR
40	42	42	2MM-R-D21-HT-01-T-TR
38	40	40	2MM-R-D20-HT-01-T-TR
36	38	38	2MM-R-D19-HT-01-T-TR
34	36	36	2MM-R-D18-HT-01-T-TR
32	34	34	2MM-R-D17-HT-01-T-TR
30	32	32	2MM-R-D16-HT-01-T-TR
28	30	30	2MM-R-D15-HT-01-T-TR
26	28	28	2MM-R-D14-HT-01-T-TR
24	26	26	2MM-R-D13-HT-01-T-TR
22	24	24	2MM-R-D12-HT-01-T-TR
20	22	22	2MM-R-D11-HT-01-T-TR
18	20	20	2MM-R-D10-HT-01-T-TR
16	18	18	2MM-R-D09-HT-01-T-TR
14	16	16	2MM-R-D08-HT-01-T-TR
12	14	14	2MM-R-D07-HT-01-T-TR
10	12	12	2MM-R-D06-HT-01-T-TR
8	10	10	2MM-R-D05-HT-01-T-TR
6	8	8	2MM-R-D04-HT-01-T-TR
4	6	6	2MM-R-D03-HT-01-T-TR
2	4	4	2MM-R-D02-HT-01-T-TR

DIM "F" DIM "E" N/6 SMART PN

SMART PN EXAMPLES:

- 2MM-R-D02-HT-01-T-TR : AMPMODU 2mm, RECEPTACLE, DOUBLE ROW, 02 POSITION PER ROW, HORIZONTAL (RIGHT ANGLE) THROUGH HOLE, 2.1 mm TAIL LENGTH, TIN PLATED, TAPE AND REEL PACKAGING WITHOUT CAP
- 2MM-R-D25-HT-03-H-TB : AMPMODU 2mm, RECEPTACLE, DOUBLE ROW, 25 POSITION PER ROW, HORIZONTAL (RIGHT ANGLE) THROUGH HOLE, 3.4 mm TAIL LENGTH, 30µm GOLD PLATED, TUBE PACKAGING WITHOUT CAP

THIS DRAWING IS A CONTROLLED DOCUMENT.

DIMENSIONS: mm	TOLERANCES UNLESS OTHERWISE SPECIFIED: 0 PLC ± 1 PLC ±0.2 2 PLC ±0.1 3 PLC ± 4 PLC ± ANGLES ±2° FINISH
	SEE NOTES
MATERIAL	

DWN	28NOV2017
CHK	22NOV2018
APVD	22NOV2018
PRODUCT SPEC	108-64040
APPLICATION SPEC	114-32186
WEIGHT	-
CUSTOMER DRAWING	

		TE Connectivity	
NAME		AMPMODU 2mm, BiB RECEPTACLE, DUAL ROW HORIZONTAL, TH/THR	
SIZE	CAGE CODE	DRAWING NO	RESTRICTED TO
A2	00779	C-2307712	-
SCALE		SHEET	REV
5:1		2 OF 2	A3