



Product Change Notification



Product Group: DIODES / January 19th, 2018 / PCN-DD-001-2018 Rev 0

Additional assembly site for TO-263AB (D²PAK), TO-262AA and TO-220 packages

DESCRIPTION OF CHANGE:	<p>In order to meet increasing demand of Rectifiers, Vishay Diodes Division is introducing an additional assembly line at a new subcontractor in China for commercial TO-263AB (D²PAK), TO-262AA and TO-220 Part Numbers. The new subcontractor has received international quality system and environmental compliance certification ISO9001, ISO14001 and TS16949. Bill of Materials is shown in annex 2 while Package Outline Dimensions will be consolidated as illustrated in annex 3. D²PAK's Tape & Reel dimensions will remain conform to EIA-481C specification.</p> <p>Taking the chance of this capacity expansion, product nomenclature will be harmonized: Vishay Diodes Division will discontinue the Part Numbers with PBF suffix and keep active the Halogen free version only (-M3 suffix). Moreover Vishay Diodes Division will also release the AEC Q-101 qualified corresponding material on request, that will not be affected by this announcement.</p>
CLASSIFICATION OF CHANGE:	Assembly Site
REASON FOR CHANGE:	Capacity expansion for improving delivery support
EXPECTED INFLUENCE ON QUALITY/RELIABILITY/PERFORMANCE:	There will be no effect on quality, reliability or electrical performance.
PRODUCT CATEGORY:	Diodes & Rectifiers
PART NUMBERS/SERIES/FAMILIES AFFECTED:	Involved Part Numbers are listed as attachment.
VISHAY BRAND(s):	Vishay Semiconductors
TIME SCHEDULE:	Starting from March 19 th , 2018 Vishay may start to ship from new location
SAMPLE AVAILABILITY:	On customer request
PRODUCT IDENTIFICATION:	Products manufactured at new location will be identified by the new plant digit of the data code marked on the 2 nd line of the part.
QUALIFICATION DATA:	See annex 1

This PCN is considered approved, without further notification, unless we receive specific customer written concerns before March 19th, 2018 or as specified by contract

ISSUED BY:	FRED, HEXFRED, STANDARD DIODES AND THYRISTORS	Alessandro Bonaudo, Vishay Diodes Product Marketing e-mail: Alessandro.Bonaudo@vishay.com
	SCHOTTKY DIODES	RS Chin, Vishay Diodes Product Marketing e-mail: RS.Chin@vishay.com

For further information, please contact your regional Vishay office.

CONTACT INFORMATION:

The Americas

Vishay Semiconductors
150 Motor Parkway, Suite 101E
Hauppauge, NY11788 USA
Phone : 631 300 3816
Fax : 631 300 3843
Diodes-Americas@vishay.com

Europe

Vishay Semiconductors
Theresienstrasse 2
D-74072 Heilbronn, Germany
Phone: + 49 7131 67 3364 (3365)
Fax: + 49 7131 67 2938
Diodes-Europe@vishay.com

Asia

Vishay Semiconductors
15D, Sun Tong Infoport Plaza
55 Huai Hai West Road
Shanghai, Cina
Phone: + 86 138 1787 2112
Fax: + 86 21 5258 7979
Diodes-Asia@vishay.com

TO-263AB (D2PAK) & TO-262AA

Family	Halogen-free nomenclature		Old nomenclature (PBF)
	Part Number	Datasheet	Part Number
FRED	VS-15ETH03S-M3	96230	VS-15ETH03SPBF
FRED	VS-15ETH03STRL-M3	96230	VS-15ETH03STRLPBF
FRED	VS-15ETH03STRR-M3	96230	VS-15ETH03STRRPBF
FRED	VS-15ETH06S-M3	96301	VS-15ETH06SPBF
FRED	VS-15ETH06STRL-M3	96301	VS-15ETH06STRLPBF
FRED	VS-15ETH06STRR-M3	96301	VS-15ETH06STRRPBF
FRED	VS-15ETL06S-M3	96315	VS-15ETL06SPBF
FRED	VS-15ETL06STRL-M3	96315	VS-15ETL06STRLPBF
FRED	VS-15ETL06STRR-M3	96315	VS-15ETL06STRRPBF
FRED	VS-15ETX06S-M3	96302	VS-15ETX06SPBF
FRED	VS-15ETX06STRL-M3	96302	VS-15ETX06STRLPBF
FRED	VS-15ETX06STRR-M3	96302	VS-15ETX06STRRPBF
FRED	VS-16CTU04S-M3	96232	VS-16CTU04SPBF
FRED	VS-16CTU04STRL-M3	96232	VS-16CTU04STRLPBF
FRED	VS-16CTU04STRR-M3	96232	VS-16CTU04STRRPBF
FRED	VS-20CTH03S-M3	96386	VS-20CTH03SPBF
FRED	VS-20CTH03STRL-M3	96386	VS-20CTH03STRLPBF
FRED	VS-20CTH03STRR-M3	96386	VS-20CTH03STRRPBF
FRED	VS-30CTH02S-M3	96234	VS-30CTH02SPBF
FRED	VS-30CTH02STRL-M3	96234	VS-30CTH02STRLPBF
FRED	VS-30CTH02STRR-M3	96234	VS-30CTH02STRRPBF
FRED	VS-30ETH06S-M3	96236	VS-30ETH06SPBF
FRED	VS-30ETH06STRL-M3	96236	VS-30ETH06STRLPBF
FRED	VS-30ETH06STRR-M3	96236	VS-30ETH06STRRPBF
FRED	VS-8ETH03S-M3	96238	VS-8ETH03SPBF
FRED	VS-8ETH03STRL-M3	96238	VS-8ETH03STRLPBF
FRED	VS-8ETH03STRR-M3	96238	VS-8ETH03STRRPBF
FRED	VS-8ETH06S-M3	96387	VS-8ETH06SPBF
FRED	VS-8ETH06STRL-M3	96387	VS-8ETH06STRLPBF
FRED	VS-8ETH06STRR-M3	96387	VS-8ETH06STRRPBF
FRED	VS-8ETL06S-M3	96240	VS-8ETL06SPBF
FRED	VS-8ETL06STRL-M3	96240	VS-8ETL06STRLPBF
FRED	VS-8ETL06STRR-M3	96240	VS-8ETL06STRRPBF
FRED	VS-8ETU04S-M3	96388	VS-8ETU04SPBF
FRED	VS-8ETU04STRL-M3	96388	VS-8ETU04STRLPBF
FRED	VS-8ETU04STRR-M3	96388	VS-8ETU04STRRPBF
FRED	VS-8ETX06S-M3	96242	VS-8ETX06SPBF
FRED	VS-8ETX06STRL-M3	96242	VS-8ETX06STRLPBF
FRED	VS-8ETX06STRR-M3	96242	VS-8ETX06STRRPBF

TO-263AB (D2PAK) & TO-262AA

Family	Halogen-free nomenclature		Old nomenclature (PBF)
	Part Number	Datasheet	Part Number
FRED	VS-MURB1020CT-M3	96389	VS-MURB1020CTPBF
FRED	VS-MURB1020CTL-M3	96389	VS-MURB1020CTTRLP
FRED	VS-MURB1020CTR-M3	96389	VS-MURB1020CTTRRP
FRED	VS-MURB1520-M3	96316	VS-MURB1520PBF
FRED	VS-MURB1520TRL-M3	96316	VS-MURB1520TRLPBF
FRED	VS-MURB1520TRR-M3	96316	VS-MURB1520TRRPBF
FRED	VS-MURB1620CT-M3	96390	VS-MURB1620CTPBF
FRED	VS-MURB1620CTL-M3	96390	VS-MURB1620CTTRLP
FRED	VS-MURB1620CTR-M3	96390	VS-MURB1620CTTRRP
FRED	VS-MURB2020CT-M3	96391	VS-MURB2020CTPBF
FRED	VS-MURB2020CTL-M3	96391	VS-MURB2020CTTRLP
FRED	VS-MURB2020CTR-M3	96391	VS-MURB2020CTTRRP
FRED	VS-MURB820-M3	96392	VS-MURB820PBF
FRED	VS-MURB820TRL-M3	96392	VS-MURB820TRLPBF
FRED	VS-MURB820TRR-M3	96392	VS-MURB820TRRPBF
FRED	VS-ETH1506S-M3	96331	
FRED	VS-ETH1506STRL-M3	96331	
FRED	VS-ETH1506STRR-M3	96331	
FRED	VS-ETH3006S-M3	96332	
FRED	VS-ETH3006STRL-M3	96332	
FRED	VS-ETH3006STRR-M3	96332	
FRED	VS-ETL1506S-M3	96333	
FRED	VS-ETL1506STRL-M3	96333	
FRED	VS-ETL1506STRR-M3	96333	
FRED	VS-ETU1506S-M3	96334	
FRED	VS-ETU1506STRL-M3	96334	
FRED	VS-ETU1506STRR-M3	96334	
FRED	VS-ETU3006S-M3	96340	
FRED	VS-ETU3006STRL-M3	96340	
FRED	VS-ETU3006STRR-M3	96340	
FRED	VS-ETX1506S-M3	96341	
FRED	VS-ETX1506STRL-M3	96341	
FRED	VS-ETX1506STRR-M3	96341	
FRED	VS-ETH1506-1-M3	96331	
FRED	VS-ETH3006-1-M3	96332	
FRED	VS-ETL1506-1-M3	96333	
FRED	VS-ETU1506-1-M3	96334	
FRED	VS-ETU3006-1-M3	96340	
FRED	VS-ETX1506-1-M3	96341	

TO-263AB (D2PAK) & TO-262AA

Family	Halogen-free nomenclature		Old nomenclature (PBF)
	Part Number	Datasheet	Part Number
FRED	VS-15ETH03-1-M3	96230	VS-15ETH03-1PBF
FRED	VS-15ETH06-1-M3	96301	VS-15ETH06-1PBF
FRED	VS-15ETL06-1-M3	96315	VS-15ETL06-1PBF
FRED	VS-15ETX06-1-M3	96302	VS-15ETX06-1PBF
FRED	VS-16CTU04-1-M3	96232	VS-16CTU04-1PBF
FRED	VS-20CTH03-1-M3	96386	VS-20CTH03-1PBF
FRED	VS-30CTH02-1-M3	96234	VS-30CTH02-1PBF
FRED	VS-30ETH06-1-M3	96236	VS-30ETH06-1PBF
FRED	VS-8ETH03-1-M3	96238	VS-8ETH03-1PBF
FRED	VS-8ETH06-1-M3	96387	VS-8ETH06-1PBF
FRED	VS-8ETL06-1-M3	96240	VS-8ETL06-1PBF
FRED	VS-8ETU04-1-M3	96388	VS-8ETU04-1PBF
FRED	VS-8ETX06-1-M3	96242	VS-8ETX06-1PBF
FRED	VS-MURB1020CT-1-M3	96389	VS-MURB1020CT-1PBF
FRED	VS-MURB1520-1-M3	96316	VS-MURB1520-1PBF
FRED	VS-MURB1620CT-1-M3	96390	VS-MURB1620CT-1PBF
FRED	VS-MURB2020CT-1-M3	96391	VS-MURB2020CT-1PBF
FRED	VS-MURB820-1-M3	96392	VS-MURB820-1PBF
HEXFRED	VS-HFA04TB60S-M3	96215	VS-HFA04TB60SPBF
HEXFRED	VS-HFA04TB60SL-M3	96215	VS-HFA04TB60STRLP
HEXFRED	VS-HFA04TB60SR-M3	96215	VS-HFA04TB60STRRP
HEXFRED	VS-HFA06TB120S-M3	96216	VS-HFA06TB120SPBF
HEXFRED	VS-HFA06TB120SL-M3	96216	VS-HFA06TB120STRLP
HEXFRED	VS-HFA06TB120SR-M3	96216	VS-HFA06TB120STRRP
HEXFRED	VS-HFA08TA60CS-M3	96217	VS-HFA08TA60CSPBF
HEXFRED	VS-HFA08TA60CSL-M3	96217	VS-HFA08TA60CSTRLP
HEXFRED	VS-HFA08TA60CSR-M3	96217	VS-HFA08TA60CSTRRP
HEXFRED	VS-HFA08TB120S-M3	96218	VS-HFA08TB120SPBF
HEXFRED	VS-HFA08TB120SL-M3	96218	VS-HFA08TB120STRLP
HEXFRED	VS-HFA08TB120SR-M3	96218	VS-HFA08TB120STRRP
HEXFRED	VS-HFA08TB60S-M3	96219	VS-HFA08TB60SPBF
HEXFRED	VS-HFA08TB60SL-M3	96219	VS-HFA08TB60STRLP
HEXFRED	VS-HFA08TB60SR-M3	96219	VS-HFA08TB60STRRP
HEXFRED	VS-HFA15TB60S-M3	96313	VS-HFA15TB60SPBF
HEXFRED	VS-HFA15TB60SL-M3	96313	VS-HFA15TB60STRLP
HEXFRED	VS-HFA15TB60SR-M3	96313	VS-HFA15TB60STRRP
HEXFRED	VS-HFA16TA60CS-M3	96220	VS-HFA16TA60CSPBF
HEXFRED	VS-HFA16TA60CSL-M3	96220	VS-HFA16TA60CSTRLP
HEXFRED	VS-HFA16TA60CSR-M3	96220	VS-HFA16TA60CSTRRP

TO-263AB (D2PAK) & TO-262AA

Family	Halogen-free nomenclature		Old nomenclature (PBF)
	Part Number	Datasheet	Part Number
HEXFRED	VS-HFA16TB120S-M3	96312	VS-HFA16TB120SPBF
HEXFRED	VS-HFA16TB120SL-M3	96312	VS-HFA16TB120STRLP
HEXFRED	VS-HFA16TB120SR-M3	96312	VS-HFA16TB120STRRP
HEXFRED	VS-HFA25TB60S-M3	96311	VS-HFA25TB60SPBF
HEXFRED	VS-HFA25TB60SL-M3	96311	VS-HFA25TB60STRLP
HEXFRED	VS-HFA25TB60SR-M3	96311	VS-HFA25TB60STRRP
HEXFRED	VS-HFA30TA60CS-M3	96420	VS-HFA30TA60CSPBF
HEXFRED	VS-HFA30TA60CSL-M3	96420	VS-HFA30TA60CSTRLP
HEXFRED	VS-HFA30TA60CSR-M3	96420	VS-HFA30TA60CSTRRP
HEXFRED	VS-HFA15TB60-1-M3	96313	VS-HFA15TB60-1PBF
STANDARD DIODES	VS-10ETF02S-M3	94884	VS-10ETF02SPBF
STANDARD DIODES	VS-10ETF02STRL-M3	94884	VS-10ETF02STRLPBF
STANDARD DIODES	VS-10ETF02STRR-M3	94884	VS-10ETF02STRRPBF
STANDARD DIODES	VS-10ETF04S-M3	94884	VS-10ETF04SPBF
STANDARD DIODES	VS-10ETF04STRL-M3	94884	VS-10ETF04STRLPBF
STANDARD DIODES	VS-10ETF04STRR-M3	94884	VS-10ETF04STRRPBF
STANDARD DIODES	VS-10ETF06S-M3	94884	VS-10ETF06SPBF
STANDARD DIODES	VS-10ETF06STRL-M3	94884	VS-10ETF06STRLPBF
STANDARD DIODES	VS-10ETF06STRR-M3	94884	VS-10ETF06STRRPBF
STANDARD DIODES	VS-10ETF10S-M3	94885	VS-10ETF10SPBF
STANDARD DIODES	VS-10ETF10STRL-M3	94885	VS-10ETF10STRLPBF
STANDARD DIODES	VS-10ETF10STRR-M3	94885	VS-10ETF10STRRPBF
STANDARD DIODES	VS-10ETF12S-M3	94885	VS-10ETF12SPBF
STANDARD DIODES	VS-10ETF12STRL-M3	94885	VS-10ETF12STRLPBF
STANDARD DIODES	VS-10ETF12STRR-M3	94885	VS-10ETF12STRRPBF
STANDARD DIODES	VS-10ETS08S-M3	94888	VS-10ETS08SPBF
STANDARD DIODES	VS-10ETS08STRL-M3	94888	VS-10ETS08STRLPBF
STANDARD DIODES	VS-10ETS08STRR-M3	94888	VS-10ETS08STRRPBF
STANDARD DIODES	VS-10ETS10S-M3	94888	VS-10ETS10SPBF
STANDARD DIODES	VS-10ETS10STRL-M3	94888	VS-10ETS10STRLPBF
STANDARD DIODES	VS-10ETS10STRR-M3	94888	VS-10ETS10STRRPBF
STANDARD DIODES	VS-10ETS12S-M3	94888	VS-10ETS12SPBF
STANDARD DIODES	VS-10ETS12STRL-M3	94888	VS-10ETS12STRLPBF
STANDARD DIODES	VS-10ETS12STRR-M3	94888	VS-10ETS12STRRPBF
STANDARD DIODES	VS-20ETF02S-M3	94886	VS-20ETF02SPBF
STANDARD DIODES	VS-20ETF02STRL-M3	94886	VS-20ETF02STRLPBF
STANDARD DIODES	VS-20ETF02STRR-M3	94886	VS-20ETF02STRRPBF
STANDARD DIODES	VS-20ETF04S-M3	94886	VS-20ETF04SPBF
STANDARD DIODES	VS-20ETF04STRL-M3	94886	VS-20ETF04STRLPBF

TO-263AB (D2PAK) & TO-262AA

Family	Halogen-free nomenclature		Old nomenclature (PBF)
	Part Number	Datasheet	Part Number
STANDARD DIODES	VS-20ETF04STRR-M3	94886	VS-20ETF04STRRPBF
STANDARD DIODES	VS-20ETF06S-M3	94886	VS-20ETF06SPBF
STANDARD DIODES	VS-20ETF06STRL-M3	94886	VS-20ETF06STRLPBF
STANDARD DIODES	VS-20ETF06STRR-M3	94886	VS-20ETF06STRRPBF
STANDARD DIODES	VS-20ETF08S-M3	94887	VS-20ETF08SPBF
STANDARD DIODES	VS-20ETF08STRL-M3	94887	VS-20ETF08STRLPBF
STANDARD DIODES	VS-20ETF08STRR-M3	94887	VS-20ETF08STRRPBF
STANDARD DIODES	VS-20ETF10S-M3	94887	VS-20ETF10SPBF
STANDARD DIODES	VS-20ETF10STRL-M3	94887	VS-20ETF10STRLPBF
STANDARD DIODES	VS-20ETF10STRR-M3	94887	VS-20ETF10STRRPBF
STANDARD DIODES	VS-20ETF12S-M3	94887	VS-20ETF12SPBF
STANDARD DIODES	VS-20ETF12STRL-M3	94887	VS-20ETF12STRLPBF
STANDARD DIODES	VS-20ETF12STRR-M3	94887	VS-20ETF12STRRPBF
STANDARD DIODES	VS-20ETS08S-M3	94889	VS-20ETS08SPBF
STANDARD DIODES	VS-20ETS08STRL-M3	94889	VS-20ETS08STRLPBF
STANDARD DIODES	VS-20ETS08STRR-M3	94889	VS-20ETS08STRRPBF
STANDARD DIODES	VS-20ETS12S-M3	94889	VS-20ETS12SPBF
STANDARD DIODES	VS-20ETS12STRL-M3	94889	VS-20ETS12STRLPBF
STANDARD DIODES	VS-20ETS12STRR-M3	94889	VS-20ETS12STRRPBF
STANDARD DIODES	VS-25ETS08S-M3	94890	VS-25ETS08SPBF
STANDARD DIODES	VS-25ETS08STRL-M3	94890	VS-25ETS08STRLPBF
STANDARD DIODES	VS-25ETS08STRR-M3	94890	VS-25ETS08STRRPBF
STANDARD DIODES	VS-25ETS10S-M3	94890	VS-25ETS10SPBF
STANDARD DIODES	VS-25ETS10STRL-M3	94890	VS-25ETS10STRLPBF
STANDARD DIODES	VS-25ETS10STRR-M3	94890	VS-25ETS10STRRPBF
STANDARD DIODES	VS-25ETS12S-M3	94890	VS-25ETS12SPBF
STANDARD DIODES	VS-25ETS12STRL-M3	94890	VS-25ETS12STRLPBF
STANDARD DIODES	VS-25ETS12STRR-M3	94890	VS-25ETS12STRRPBF
THYRISTORS	VS-10TTS08S-M3	96410	VS-10TTS08SPBF
THYRISTORS	VS-10TTS08STRL-M3	96410	VS-10TTS08STRLPBF
THYRISTORS	VS-10TTS08STRR-M3	96410	VS-10TTS08STRRPBF
THYRISTORS	VS-12TTS08S-M3	96411	VS-12TTS08SPBF
THYRISTORS	VS-12TTS08STRL-M3	96411	VS-12TTS08STRLPBF
THYRISTORS	VS-12TTS08STRR-M3	96411	VS-12TTS08STRRPBF
THYRISTORS	VS-16TTS08S-M3	96412	VS-16TTS08SPBF
THYRISTORS	VS-16TTS08STRL-M3	96412	VS-16TTS08STRLPBF
THYRISTORS	VS-16TTS08STRR-M3	96412	VS-16TTS08STRRPBF
THYRISTORS	VS-16TTS12S-M3	96412	VS-16TTS12SPBF
THYRISTORS	VS-16TTS12STRL-M3	96412	VS-16TTS12STRLPBF

TO-263AB (D2PAK) & TO-262AA

Family	Halogen-free nomenclature		Old nomenclature (PBF)
	Part Number	Datasheet	Part Number
THYRISTORS	VS-16TTS12STRR-M3	96412	VS-16TTS12STRRPBF
THYRISTORS	VS-16TTS16S-M3	96413	VS-16TTS16SPBF
THYRISTORS	VS-16TTS16STRL-M3	96413	VS-16TTS16STRLPBF
THYRISTORS	VS-16TTS16STRR-M3	96413	VS-16TTS16STRRPBF
THYRISTORS	VS-25TTS08S-M3	96414	VS-25TTS08SPBF
THYRISTORS	VS-25TTS08STRL-M3	96414	VS-25TTS08STRLPBF
THYRISTORS	VS-25TTS08STRR-M3	96414	VS-25TTS08STRRPBF
THYRISTORS	VS-25TTS12S-M3	96414	VS-25TTS12SPBF
THYRISTORS	VS-25TTS12STRL-M3	96414	VS-25TTS12STRLPBF
THYRISTORS	VS-25TTS12STRR-M3	96414	VS-25TTS12STRRPBF
THYRISTORS	VS-25TTS16S-M3	96415	VS-25TTS16SPBF
THYRISTORS	VS-25TTS16STRL-M3	96415	VS-25TTS16STRLPBF
THYRISTORS	VS-25TTS16STRR-M3	96415	VS-25TTS16STRRPBF
THYRISTORS	VS-16TTS16STRL-M3	96413	VS-80-1326PBF
SCHOTTKY DIODES	VS-10CTQ150S-M3	95729	VS-10CTQ150SPBF
SCHOTTKY DIODES	VS-10CTQ150STRL-M3	95729	VS-10CTQ150STRLPBF
SCHOTTKY DIODES	VS-10CTQ150STRR-M3	95729	VS-10CTQ150STRRPBF
SCHOTTKY DIODES	VS-10TQ035S-M3	94923	VS-10TQ035SPBF
SCHOTTKY DIODES	VS-10TQ035STRL-M3	94923	VS-10TQ035STRLPBF
SCHOTTKY DIODES	VS-10TQ035STRR-M3	94923	VS-10TQ035STRRPBF
SCHOTTKY DIODES	VS-10TQ045S-M3	94923	VS-10TQ045SPBF
SCHOTTKY DIODES	VS-10TQ045STRL-M3	94923	VS-10TQ045STRLPBF
SCHOTTKY DIODES	VS-10TQ045STRR-M3	94923	VS-10TQ045STRRPBF
SCHOTTKY DIODES	VS-12CTQ035S-M3	94924	VS-12CTQ035SPBF
SCHOTTKY DIODES	VS-12CTQ035STRL-M3	94924	VS-12CTQ035STRLPBF
SCHOTTKY DIODES	VS-12CTQ035STRR-M3	94924	VS-12CTQ035STRRPBF
SCHOTTKY DIODES	VS-12CTQ045S-M3	94924	VS-12CTQ045SPBF
SCHOTTKY DIODES	VS-12CTQ045STRL-M3	94924	VS-12CTQ045STRLPBF
SCHOTTKY DIODES	VS-12CTQ045STRR-M3	94924	VS-12CTQ045STRRPBF
SCHOTTKY DIODES	VS-12TQ035S-M3	94925	VS-12TQ035SPBF
SCHOTTKY DIODES	VS-12TQ035STRL-M3	94925	VS-12TQ035STRLPBF
SCHOTTKY DIODES	VS-12TQ035STRR-M3	94925	VS-12TQ035STRRPBF
SCHOTTKY DIODES	VS-12TQ040S-M3	94925	VS-12TQ040SPBF
SCHOTTKY DIODES	VS-12TQ040STRL-M3	94925	VS-12TQ040STRLPBF
SCHOTTKY DIODES	VS-12TQ040STRR-M3	94925	VS-12TQ040STRRPBF
SCHOTTKY DIODES	VS-12TQ045S-M3	94925	VS-12TQ045SPBF
SCHOTTKY DIODES	VS-12TQ045STRL-M3	94925	VS-12TQ045STRLPBF
SCHOTTKY DIODES	VS-12TQ045STRR-M3	94925	VS-12TQ045STRRPBF
SCHOTTKY DIODES	VS-15CTQ035S-M3	94926	VS-15CTQ035SPBF

TO-263AB (D2PAK) & TO-262AA

Family	Halogen-free nomenclature		Old nomenclature (PBF)
	Part Number	Datasheet	Part Number
SCHOTTKY DIODES	VS-15CTQ035STRL-M3	94926	VS-15CTQ035STRLPBF
SCHOTTKY DIODES	VS-15CTQ035STRR-M3	94926	VS-15CTQ035STRRPBF
SCHOTTKY DIODES	VS-15CTQ045S-M3	94926	VS-15CTQ045SPBF
SCHOTTKY DIODES	VS-15CTQ045STRL-M3	94926	VS-15CTQ045STRLPBF
SCHOTTKY DIODES	VS-15CTQ045STRR-M3	94926	VS-15CTQ045STRRPBF
SCHOTTKY DIODES	VS-15TQ060S-M3	94927	VS-15TQ060SPBF
SCHOTTKY DIODES	VS-15TQ060STRL-M3	94927	VS-15TQ060STRLPBF
SCHOTTKY DIODES	VS-15TQ060STRR-M3	94927	VS-15TQ060STRRPBF
SCHOTTKY DIODES	VS-16CTQ060S-M3	94929	VS-16CTQ060SPBF
SCHOTTKY DIODES	VS-16CTQ060STRL-M3	94929	VS-16CTQ060STRLPBF
SCHOTTKY DIODES	VS-16CTQ060STRR-M3	94929	VS-16CTQ060STRRPBF
SCHOTTKY DIODES	VS-16CTQ080S-M3	94929	VS-16CTQ080SPBF
SCHOTTKY DIODES	VS-16CTQ080STRL-M3	94929	VS-16CTQ080STRLPBF
SCHOTTKY DIODES	VS-16CTQ080STRR-M3	94929	VS-16CTQ080STRRPBF
SCHOTTKY DIODES	VS-16CTQ100S-M3	94929	VS-16CTQ100SPBF
SCHOTTKY DIODES	VS-16CTQ100STRL-M3	94929	VS-16CTQ100STRLPBF
SCHOTTKY DIODES	VS-16CTQ100STRR-M3	94929	VS-16CTQ100STRRPBF
SCHOTTKY DIODES	VS-18TQ035S-M3	94928	VS-18TQ035SPBF
SCHOTTKY DIODES	VS-18TQ035STRL-M3	94928	VS-18TQ035STRLPBF
SCHOTTKY DIODES	VS-18TQ035STRR-M3	94928	VS-18TQ035STRRPBF
SCHOTTKY DIODES	VS-18TQ045S-M3	94928	VS-18TQ045SPBF
SCHOTTKY DIODES	VS-18TQ045STRL-M3	94928	VS-18TQ045STRLPBF
SCHOTTKY DIODES	VS-18TQ045STRR-M3	94928	VS-18TQ045STRRPBF
SCHOTTKY DIODES	VS-19TQ015S-M3	95730	VS-19TQ015SPBF
SCHOTTKY DIODES	VS-19TQ015STRL-M3	95730	VS-19TQ015STRLPBF
SCHOTTKY DIODES	VS-19TQ015STRR-M3	95730	VS-19TQ015STRRPBF
SCHOTTKY DIODES	VS-20CTQ035S-M3	94932	VS-20CTQ035SPBF
SCHOTTKY DIODES	VS-20CTQ035STRL-M3	94932	VS-20CTQ035STRLPBF
SCHOTTKY DIODES	VS-20CTQ035STRR-M3	94932	VS-20CTQ035STRRPBF
SCHOTTKY DIODES	VS-20CTQ040S-M3	94932	VS-20CTQ040SPBF
SCHOTTKY DIODES	VS-20CTQ040STRL-M3	94932	VS-20CTQ040STRLPBF
SCHOTTKY DIODES	VS-20CTQ040STRR-M3	94932	VS-20CTQ040STRRPBF
SCHOTTKY DIODES	VS-20CTQ045S-M3	94932	VS-20CTQ045SPBF
SCHOTTKY DIODES	VS-20CTQ045STRL-M3	94932	VS-20CTQ045STRLPBF
SCHOTTKY DIODES	VS-20CTQ045STRR-M3	94932	VS-20CTQ045STRRPBF
SCHOTTKY DIODES	VS-20CTQ150S-M3	94932	VS-20CTQ150SPBF
SCHOTTKY DIODES	VS-20CTQ150STRL-M3	94932	VS-20CTQ150STRLPBF
SCHOTTKY DIODES	VS-20CTQ150STRR-M3	94932	VS-20CTQ150STRRPBF
SCHOTTKY DIODES	VS-20L15TS-M3	95734	VS-20L15TSPBF

TO-263AB (D2PAK) & TO-262AA

Family	Halogen-free nomenclature		Old nomenclature (PBF)
	Part Number	Datasheet	Part Number
SCHOTTKY DIODES	VS-20L15TSTRL-M3	95734	VS-20L15TSTRLPBF
SCHOTTKY DIODES	VS-20L15TSTRR-M3	95734	VS-20L15TSTRRPBF
SCHOTTKY DIODES	VS-20TQ035S-M3	94931	VS-20TQ035SPBF
SCHOTTKY DIODES	VS-20TQ035STRL-M3	94931	VS-20TQ035STRLPBF
SCHOTTKY DIODES	VS-20TQ035STRR-M3	94931	VS-20TQ035STRRPBF
SCHOTTKY DIODES	VS-20TQ040S-M3	94931	VS-20TQ040SPBF
SCHOTTKY DIODES	VS-20TQ040STRL-M3	94931	VS-20TQ040STRLPBF
SCHOTTKY DIODES	VS-20TQ040STRR-M3	94931	VS-20TQ040STRRPBF
SCHOTTKY DIODES	VS-20TQ045S-M3	94931	VS-20TQ045SPBF
SCHOTTKY DIODES	VS-20TQ045STRL-M3	94931	VS-20TQ045STRLPBF
SCHOTTKY DIODES	VS-20TQ045STRR-M3	94931	VS-20TQ045STRRPBF
SCHOTTKY DIODES	VS-25CTQ035S-M3	94930	VS-25CTQ035SPBF
SCHOTTKY DIODES	VS-25CTQ035STRL-M3	94930	VS-25CTQ035STRLPBF
SCHOTTKY DIODES	VS-25CTQ035STRR-M3	94930	VS-25CTQ035STRRPBF
SCHOTTKY DIODES	VS-25CTQ040S-M3	94930	VS-25CTQ040SPBF
SCHOTTKY DIODES	VS-25CTQ040STRL-M3	94930	VS-25CTQ040STRLPBF
SCHOTTKY DIODES	VS-25CTQ040STRR-M3	94930	VS-25CTQ040STRRPBF
SCHOTTKY DIODES	VS-25CTQ045S-M3	94930	VS-25CTQ045SPBF
SCHOTTKY DIODES	VS-25CTQ045STRL-M3	94930	VS-25CTQ045STRLPBF
SCHOTTKY DIODES	VS-25CTQ045STRR-M3	94930	VS-25CTQ045STRRPBF
SCHOTTKY DIODES	VS-30CTQ035S-M3	94933	VS-30CTQ035SPBF
SCHOTTKY DIODES	VS-30CTQ035STRL-M3	94933	VS-30CTQ035STRLPBF
SCHOTTKY DIODES	VS-30CTQ035STRR-M3	94933	VS-30CTQ035STRRPBF
SCHOTTKY DIODES	VS-30CTQ045S-M3	94933	VS-30CTQ045SPBF
SCHOTTKY DIODES	VS-30CTQ045STRL-M3	94933	VS-30CTQ045STRLPBF
SCHOTTKY DIODES	VS-30CTQ045STRR-M3	94933	VS-30CTQ045STRRPBF
SCHOTTKY DIODES	VS-30CTQ060S-M3	94934	VS-30CTQ060SPBF
SCHOTTKY DIODES	VS-30CTQ060STRL-M3	94934	VS-30CTQ060STRLPBF
SCHOTTKY DIODES	VS-30CTQ060STRR-M3	94934	VS-30CTQ060STRRPBF
SCHOTTKY DIODES	VS-30CTQ080S-M3	94938	VS-30CTQ080SPBF
SCHOTTKY DIODES	VS-30CTQ080STRL-M3	94938	VS-30CTQ080STRLPBF
SCHOTTKY DIODES	VS-30CTQ080STRR-M3	94938	VS-30CTQ080STRRPBF
SCHOTTKY DIODES	VS-30CTQ100S-M3	94938	VS-30CTQ100SPBF
SCHOTTKY DIODES	VS-30CTQ100STRL-M3	94938	VS-30CTQ100STRLPBF
SCHOTTKY DIODES	VS-30CTQ100STRR-M3	94938	VS-30CTQ100STRRPBF
SCHOTTKY DIODES	VS-32CTQ025S-M3	94936	
SCHOTTKY DIODES	VS-32CTQ025STRL-M3	94936	
SCHOTTKY DIODES	VS-32CTQ025STRR-M3	94936	
SCHOTTKY DIODES	VS-32CTQ030S-M3	94936	VS-32CTQ030SPBF

TO-263AB (D2PAK) & TO-262AA

Family	Halogen-free nomenclature		Old nomenclature (PBF)
	Part Number	Datasheet	Part Number
SCHOTTKY DIODES	VS-32CTQ030STRL-M3	94936	VS-32CTQ030STRLPBF
SCHOTTKY DIODES	VS-32CTQ030STRR-M3	94936	VS-32CTQ030STRRPBF
SCHOTTKY DIODES	VS-40CTQ045S-M3	94935	VS-40CTQ045SPBF
SCHOTTKY DIODES	VS-40CTQ045STRL-M3	94935	VS-40CTQ045STRLPBF
SCHOTTKY DIODES	VS-40CTQ045STRR-M3	94935	VS-40CTQ045STRRPBF
SCHOTTKY DIODES	VS-40CTQ150S-M3	95732	VS-40CTQ150SPBF
SCHOTTKY DIODES	VS-40CTQ150STRL-M3	95732	VS-40CTQ150STRLPBF
SCHOTTKY DIODES	VS-40CTQ150STRR-M3	95732	VS-40CTQ150STRRPBF
SCHOTTKY DIODES	VS-40L15CTS-M3	95733	VS-40L15CTSPBF
SCHOTTKY DIODES	VS-40L15CTSTRL-M3	95733	VS-40L15CTSTRLPBF
SCHOTTKY DIODES	VS-40L15CTSTRR-M3	95733	VS-40L15CTSTRRPBF
SCHOTTKY DIODES	VS-42CTQ030S-M3	94940	VS-42CTQ030SPBF
SCHOTTKY DIODES	VS-42CTQ030STRL-M3	94940	VS-42CTQ030STRLPBF
SCHOTTKY DIODES	VS-42CTQ030STRR-M3	94940	VS-42CTQ030STRRPBF
SCHOTTKY DIODES	VS-43CTQ100S-M3	94942	VS-43CTQ100SPBF
SCHOTTKY DIODES	VS-43CTQ100STRL-M3	94942	VS-43CTQ100STRLPBF
SCHOTTKY DIODES	VS-43CTQ100STRR-M3	94942	VS-43CTQ100STRRPBF
SCHOTTKY DIODES	VS-47CTQ020S-M3	94943	VS-47CTQ020SPBF
SCHOTTKY DIODES	VS-47CTQ020STRL-M3	94943	VS-47CTQ020STRLPBF
SCHOTTKY DIODES	VS-47CTQ020STRR-M3	94943	VS-47CTQ020STRRPBF
SCHOTTKY DIODES	VS-48CTQ060S-M3	94944	VS-48CTQ060SPBF
SCHOTTKY DIODES	VS-48CTQ060STRL-M3	94944	VS-48CTQ060STRLPBF
SCHOTTKY DIODES	VS-48CTQ060STRR-M3	94944	VS-48CTQ060STRRPBF
SCHOTTKY DIODES	VS-6TQ035S-M3	94945	VS-6TQ035SPBF
SCHOTTKY DIODES	VS-6TQ035STRL-M3	94945	VS-6TQ035STRLPBF
SCHOTTKY DIODES	VS-6TQ035STRR-M3	94945	VS-6TQ035STRRPBF
SCHOTTKY DIODES	VS-6TQ040S-M3	94945	VS-6TQ040SPBF
SCHOTTKY DIODES	VS-6TQ040STRL-M3	94945	VS-6TQ040STRLPBF
SCHOTTKY DIODES	VS-6TQ040STRR-M3	94945	VS-6TQ040STRRPBF
SCHOTTKY DIODES	VS-6TQ045S-M3	94945	VS-6TQ045SPBF
SCHOTTKY DIODES	VS-6TQ045STRL-M3	94945	VS-6TQ045STRLPBF
SCHOTTKY DIODES	VS-6TQ045STRR-M3	94945	VS-6TQ045STRRPBF
SCHOTTKY DIODES	VS-8TQ080S-M3	94946	VS-8TQ080SPBF
SCHOTTKY DIODES	VS-8TQ080STRL-M3	94946	VS-8TQ080STRLPBF
SCHOTTKY DIODES	VS-8TQ080STRR-M3	94946	VS-8TQ080STRRPBF
SCHOTTKY DIODES	VS-8TQ100S-M3	94946	VS-8TQ100SPBF
SCHOTTKY DIODES	VS-8TQ100STRL-M3	94946	VS-8TQ100STRLPBF
SCHOTTKY DIODES	VS-8TQ100STRR-M3	94946	VS-8TQ100STRRPBF
SCHOTTKY DIODES	VS-16CTQ100STRL-M3	94929	VS-95-0294PBF

TO-263AB (D2PAK) & TO-262AA

Family	Halogen-free nomenclature		Old nomenclature (PBF)
	Part Number	Datasheet	Part Number
SCHOTTKY DIODES	VS-MBRB1035-M3	96393	VS-MBRB1035PBF
SCHOTTKY DIODES	VS-MBRB1035TRL-M3	96393	VS-MBRB1035TRLPBF
SCHOTTKY DIODES	VS-MBRB1035TRR-M3	96393	VS-MBRB1035TRRPBF
SCHOTTKY DIODES	VS-MBRB1045-M3	96393	VS-MBRB1045PBF
SCHOTTKY DIODES	VS-MBRB1045TRL-M3	96393	VS-MBRB1045TRLPBF
SCHOTTKY DIODES	VS-MBRB1045TRR-M3	96393	VS-MBRB1045TRRPBF
SCHOTTKY DIODES	VS-MBRB1535CT-M3	96403	VS-MBRB1535CTPBF
SCHOTTKY DIODES	VS-MBRB1535CTL-M3	96403	VS-MBRB1535CTTRLP
SCHOTTKY DIODES	VS-MBRB1535CTR-M3	96403	VS-MBRB1535CTTRRP
SCHOTTKY DIODES	VS-MBRB1545CT-M3	96403	VS-MBRB1545CTPBF
SCHOTTKY DIODES	VS-MBRB1545CTL-M3	96403	VS-MBRB1545CTTRLP
SCHOTTKY DIODES	VS-MBRB1545CTR-M3	96403	VS-MBRB1545CTTRRP
SCHOTTKY DIODES	VS-MBRB1635-M3	96394	VS-MBRB1635PBF
SCHOTTKY DIODES	VS-MBRB1635TRL-M3	96394	VS-MBRB1635TRLPBF
SCHOTTKY DIODES	VS-MBRB1635TRR-M3	96394	VS-MBRB1635TRRPBF
SCHOTTKY DIODES	VS-MBRB1645-M3	96394	VS-MBRB1645PBF
SCHOTTKY DIODES	VS-MBRB1645TRL-M3	96394	VS-MBRB1645TRLPBF
SCHOTTKY DIODES	VS-MBRB1645TRR-M3	96394	VS-MBRB1645TRRPBF
SCHOTTKY DIODES	VS-MBRB20100CT-M3	96404	VS-MBRB20100CTPBF
SCHOTTKY DIODES	VS-MBRB20100CTL-M3	96404	VS-MBRB20100CTTRLP
SCHOTTKY DIODES	VS-MBRB20100CTR-M3	96404	VS-MBRB20100CTTRRP
SCHOTTKY DIODES	VS-MBRB2035CT-M3	96405	VS-MBRB2035CTPBF
SCHOTTKY DIODES	VS-MBRB2045CT-M3	96405	VS-MBRB2045CTPBF
SCHOTTKY DIODES	VS-MBRB2045CTL-M3	96405	VS-MBRB2045CTTRLP
SCHOTTKY DIODES	VS-MBRB2045CTR-M3	96405	VS-MBRB2045CTTRRP
SCHOTTKY DIODES	VS-MBRB2080CT-M3	96404	VS-MBRB2080CTPBF
SCHOTTKY DIODES	VS-MBRB2080CTL-M3	96404	VS-MBRB2080CTTRLP
SCHOTTKY DIODES	VS-MBRB2080CTR-M3	96404	VS-MBRB2080CTTRRP
SCHOTTKY DIODES	VS-MBRB2090CT-M3	96404	VS-MBRB2090CTPBF
SCHOTTKY DIODES	VS-MBRB2535CT-M3	96406	VS-MBRB2535CTPBF
SCHOTTKY DIODES	VS-MBRB2535CTL-M3	96406	VS-MBRB2535CTTRLP
SCHOTTKY DIODES	VS-MBRB2535CTR-M3	96406	VS-MBRB2535CTTRRP
SCHOTTKY DIODES	VS-MBRB2545CT-M3	96406	VS-MBRB2545CTPBF
SCHOTTKY DIODES	VS-MBRB2545CTL-M3	96406	VS-MBRB2545CTTRLP
SCHOTTKY DIODES	VS-MBRB2545CTR-M3	96406	VS-MBRB2545CTTRRP
SCHOTTKY DIODES	VS-MBRB3030CTL-M3	96395	VS-MBRB3030CTLPBF
SCHOTTKY DIODES	VS-MBRB3030CTLL-M3	96395	VS-MBRB3030CTLLPBF
SCHOTTKY DIODES	VS-MBRB3030CTLR-M3	96395	VS-MBRB3030CTLRPBF
SCHOTTKY DIODES	VS-MBRB3045CT-M3	96407	VS-MBRB3045CTPBF

TO-263AB (D2PAK) & TO-262AA

Family	Halogen-free nomenclature		Old nomenclature (PBF)
	Part Number	Datasheet	Part Number
SCHOTTKY DIODES	VS-MBRB3045CTL-M3	96407	VS-MBRB3045CTTRLP
SCHOTTKY DIODES	VS-MBRB3045CTR-M3	96407	VS-MBRB3045CTTRRP
SCHOTTKY DIODES	VS-MBRB4045CT-M3	96408	VS-MBRB4045CTPBF
SCHOTTKY DIODES	VS-MBRB4045CTL-M3	96408	VS-MBRB4045CTTRLP
SCHOTTKY DIODES	VS-MBRB4045CTR-M3	96408	VS-MBRB4045CTTRRP
SCHOTTKY DIODES	VS-MBRB735-M3	96396	VS-MBRB735PBF
SCHOTTKY DIODES	VS-MBRB735TRL-M3	96396	VS-MBRB735TRLPBF
SCHOTTKY DIODES	VS-MBRB735TRR-M3	96396	VS-MBRB735TRRPBF
SCHOTTKY DIODES	VS-MBRB745-M3	96396	VS-MBRB745PBF
SCHOTTKY DIODES	VS-MBRB745TRL-M3	96396	VS-MBRB745TRLPBF
SCHOTTKY DIODES	VS-MBRB745TRR-M3	96396	VS-MBRB745TRRPBF
SCHOTTKY DIODES	VS-STPS20L15G-M3	96397	VS-STPS20L15GPBF
SCHOTTKY DIODES	VS-STPS20L15GL-M3	96397	VS-STPS20L15GTRLP
SCHOTTKY DIODES	VS-STPS20L15GR-M3	96397	VS-STPS20L15GTRRP
SCHOTTKY DIODES	VS-10CTQ150-1-M3	95729	VS-10CTQ150-1PBF
SCHOTTKY DIODES	VS-15CTQ035-1-M3	94926	VS-15CTQ035-1PBF
SCHOTTKY DIODES	VS-15CTQ040-1-M3	94926	VS-15CTQ040-1PBF
SCHOTTKY DIODES	VS-15CTQ045-1-M3	94926	VS-15CTQ045-1PBF
SCHOTTKY DIODES	VS-16CTQ100-1-M3	94929	VS-16CTQ100-1PBF
SCHOTTKY DIODES	VS-20CTQ045-1-M3	94932	VS-20CTQ045-1PBF
SCHOTTKY DIODES	VS-20CTQ150-1-M3	95731	VS-20CTQ150-1PBF
SCHOTTKY DIODES	VS-30CTQ045-1-M3	94933	VS-30CTQ045-1PBF
SCHOTTKY DIODES	VS-30CTQ060-1-M3	94934	VS-30CTQ060-1PBF
SCHOTTKY DIODES	VS-30CTQ080-1-M3	94938	VS-30CTQ080-1PBF
SCHOTTKY DIODES	VS-30CTQ100-1-M3	94938	VS-30CTQ100-1PBF
SCHOTTKY DIODES	VS-32CTQ025-1-M3	94936	
SCHOTTKY DIODES	VS-32CTQ030-1-M3	94936	VS-32CTQ030-1PBF
SCHOTTKY DIODES	VS-40CTQ045-1-M3	94935	VS-40CTQ045-1PBF
SCHOTTKY DIODES	VS-40CTQ150-1-M3	95732	VS-40CTQ150-1PBF
SCHOTTKY DIODES	VS-40L15CT-1-M3	95733	VS-40L15CT-1PBF
SCHOTTKY DIODES	VS-42CTQ030-1-M3	94940	VS-42CTQ030-1PBF
SCHOTTKY DIODES	VS-43CTQ100-1-M3	94942	VS-43CTQ100-1PBF
SCHOTTKY DIODES	VS-47CTQ020-1-M3	94943	VS-47CTQ020-1PBF
SCHOTTKY DIODES	VS-48CTQ060-1-M3	94944	VS-48CTQ060-1PBF
SCHOTTKY DIODES	VS-MBR1535CT-1-M3	96403	VS-MBR1535CT-1PBF
SCHOTTKY DIODES	VS-MBR1545CT-1-M3	96403	VS-MBR1545CT-1PBF
SCHOTTKY DIODES	VS-MBR20100CT-1-M3	96404	VS-MBR20100CT-1PBF
SCHOTTKY DIODES	VS-MBR2035CT-1-M3	96405	VS-MBR2035CT-1PBF
SCHOTTKY DIODES	VS-MBR2045CT-1-M3	96405	VS-MBR2045CT-1PBF

TO-263AB (D2PAK) & TO-262AA

Family	Halogen-free nomenclature		Old nomenclature (PBF)
	Part Number	Datasheet	Part Number
SCHOTTKY DIODES	VS-MBR2080CT-1-M3	96404	VS-MBR2080CT-1PBF
SCHOTTKY DIODES	VS-MBR2090CT-1-M3	96404	VS-MBR2090CT-1PBF
SCHOTTKY DIODES	VS-MBR2535CT-1-M3	96406	VS-MBR2535CT-1PBF
SCHOTTKY DIODES	VS-MBR2545CT-1-M3	96406	VS-MBR2545CT-1PBF
SCHOTTKY DIODES	VS-MBR3045CT-1-M3	96407	VS-MBR3045CT-1PBF
SCHOTTKY DIODES	VS-MBR4045CT-1-M3	96408	VS-MBR4045CT-1PBF

TO-220

Family	Halogen-free nomenclature		Old Nomenclature (PBF)
	Part Number	Datasheet	Part Number
FRED	VS-15ETH03-M3	96181	VS-15ETH03PBF
FRED	VS-15ETH06-M3	96174	VS-15ETH06PBF
FRED	VS-15ETL06-M3	96175	VS-15ETL06PBF
FRED	VS-15ETX06-M3	96176	VS-15ETX06PBF
FRED	VS-16CTU04-M3	96197	VS-16CTU04PBF
FRED	VS-20CTH03-M3	96205	VS-20CTH03PBF
FRED	VS-30CTH02-M3	96206	VS-30CTH02PBF
FRED	VS-30CTH03-M3	96198	VS-30CTH03PBF
FRED	VS-30ETH06-M3	96182	VS-30ETH06PBF
FRED	VS-8ETH03-M3	96183	VS-8ETH03PBF
FRED	VS-8ETH06-M3	96177	VS-8ETH06PBF
FRED	VS-8ETL06-M3	96178	VS-8ETL06PBF
FRED	VS-8ETU04-M3	96184	VS-8ETU04PBF
FRED	VS-8ETX06-M3	96179	VS-8ETX06PBF
FRED	VS-MUR1020CT-M3	96199	VS-MUR1020CTPBF
FRED	VS-MUR1520-M3	96185	VS-MUR1520PBF
FRED	VS-MUR1620CT-M3	96200	VS-MUR1620CTPBF
FRED	VS-MUR2020CT-M3	96201	VS-MUR2020CTPBF
FRED	VS-MUR820-M3	96186	VS-MUR820PBF
HEXFRED	VS-HFA04TB60-M3	96187	VS-HFA04TB60PBF
HEXFRED	VS-HFA06TB120-M3	96188	VS-HFA06TB120PBF
HEXFRED	VS-HFA08TA60C-M3	96202	VS-HFA08TA60CPBF
HEXFRED	VS-HFA08TB120-M3	96189	VS-HFA08TB120PBF
HEXFRED	VS-HFA08TB60-M3	96190	VS-HFA08TB60PBF
HEXFRED	VS-HFA15TB60-M3	96191	VS-HFA15TB60PBF
HEXFRED	VS-HFA16TA60C-M3	96203	VS-HFA16TA60CPBF
HEXFRED	VS-HFA16TB120-M3	96192	VS-HFA16TB120PBF
HEXFRED	VS-HFA25TB60-M3	96193	VS-HFA25TB60PBF

TO-220

Family	Halogen-free nomenclature		Old Nomenclature (PBF)
	Part Number	Datasheet	Part Number
HEXFRED	VS-HFA30TA60C-M3	96204	VS-HFA30TA60CPBF
STANDARD DIODES	VS-10ETF02-M3	96210	VS-10ETF02PBF
STANDARD DIODES	VS-10ETF04-M3	96210	VS-10ETF04PBF
STANDARD DIODES	VS-10ETF06-M3	96210	VS-10ETF06PBF
STANDARD DIODES	VS-10ETF10-M3	96211	VS-10ETF10PBF
STANDARD DIODES	VS-10ETF12-M3	96211	VS-10ETF12PBF
STANDARD DIODES	VS-10ETS08-M3	96212	VS-10ETS08PBF
STANDARD DIODES	VS-10ETS12-M3	96212	VS-10ETS12PBF
STANDARD DIODES	VS-20ATS08-M3	96244	VS-20ATS08PBF
STANDARD DIODES	VS-20ATS12-M3	96244	VS-20ATS12PBF
STANDARD DIODES	VS-20ETF02-M3	96213	VS-20ETF02PBF
STANDARD DIODES	VS-20ETF04-M3	96213	VS-20ETF04PBF
STANDARD DIODES	VS-20ETF06-M3	96213	VS-20ETF06PBF
STANDARD DIODES	VS-20ETF08-M3	96214	VS-20ETF08PBF
STANDARD DIODES	VS-20ETF10-M3	96214	VS-20ETF10PBF
STANDARD DIODES	VS-20ETF12-M3	96214	VS-20ETF12PBF
STANDARD DIODES	VS-20ETS08-M3	96244	VS-20ETS08PBF
STANDARD DIODES	VS-20ETS12-M3	96244	VS-20ETS12PBF
STANDARD DIODES	VS-20ETS12M-S1		VS-20ETS12P-S1
STANDARD DIODES	VS-20ETS16-M3	93405	VS-20ETS16PBF
THYRISTORS	VS-10TTS08-M3	96285	VS-10TTS08PBF
THYRISTORS	VS-12TTS08-M3	96286	VS-12TTS08PBF
THYRISTORS	VS-16TTS08-M3	96287	VS-16TTS08PBF
THYRISTORS	VS-16TTS12-M3	96287	VS-16TTS12PBF
THYRISTORS	VS-25TTS08-M3	96288	VS-25TTS08PBF
THYRISTORS	VS-25TTS12-M3	96288	VS-25TTS12PBF
THYRISTORS	VS-40TTS12-M3	96289	VS-40TTS12PBF
SCHOTTKY DIODES	VS-10CTQ150-M3	96245	VS-10CTQ150PBF
SCHOTTKY DIODES	VS-10TQ035-M3	96260	VS-10TQ035PBF
SCHOTTKY DIODES	VS-10TQ040-M3	96260	VS-10TQ040PBF
SCHOTTKY DIODES	VS-10TQ045-M3	96260	VS-10TQ045PBF
SCHOTTKY DIODES	VS-12CTQ035-M3	96270	VS-12CTQ035PBF
SCHOTTKY DIODES	VS-12CTQ040-M3	96270	VS-12CTQ040PBF
SCHOTTKY DIODES	VS-12CTQ045-M3	96270	VS-12CTQ045PBF
SCHOTTKY DIODES	VS-12TQ035-M3	96261	VS-12TQ035PBF
SCHOTTKY DIODES	VS-12TQ040-M3	96261	VS-12TQ040PBF
SCHOTTKY DIODES	VS-12TQ045-M3	96261	VS-12TQ045PBF
SCHOTTKY DIODES	VS-15CTQ035-M3	96271	VS-15CTQ035PBF
SCHOTTKY DIODES	VS-15CTQ040-M3	96271	VS-15CTQ040PBF

TO-220

Family	Halogen-free nomenclature		Old Nomenclature (PBF)
	Part Number	Datasheet	Part Number
SCHOTTKY DIODES	VS-15CTQ045-M3	96271	VS-15CTQ045PBF
SCHOTTKY DIODES	VS-15TQ060-M3	96290	VS-15TQ060PBF
SCHOTTKY DIODES	VS-16CTQ060-M3	96272	VS-16CTQ060PBF
SCHOTTKY DIODES	VS-16CTQ080-M3	96272	VS-16CTQ080PBF
SCHOTTKY DIODES	VS-16CTQ100-M3	96272	VS-16CTQ100PBF
SCHOTTKY DIODES	VS-18TQ035-M3	96262	VS-18TQ035PBF
SCHOTTKY DIODES	VS-18TQ040-M3	96262	VS-18TQ040PBF
SCHOTTKY DIODES	VS-18TQ045-M3	96262	VS-18TQ045PBF
SCHOTTKY DIODES	VS-19TQ015-M3	94151	VS-19TQ015PBF
SCHOTTKY DIODES	VS-20CTQ035-M3	96273	VS-20CTQ035PBF
SCHOTTKY DIODES	VS-20CTQ040-M3	96273	VS-20CTQ040PBF
SCHOTTKY DIODES	VS-20CTQ045-M3	96273	VS-20CTQ045PBF
SCHOTTKY DIODES	VS-20CTQ150-M3	96246	VS-20CTQ150PBF
SCHOTTKY DIODES	VS-20L15T-M3	96291	VS-20L15TPBF
SCHOTTKY DIODES	VS-20TQ035-M3	96263	VS-20TQ035PBF
SCHOTTKY DIODES	VS-20TQ040-M3	96263	VS-20TQ040PBF
SCHOTTKY DIODES	VS-20TQ045-M3	96263	VS-20TQ045PBF
SCHOTTKY DIODES	VS-25CTQ035-M3	96274	VS-25CTQ035PBF
SCHOTTKY DIODES	VS-25CTQ040-M3	96274	VS-25CTQ040PBF
SCHOTTKY DIODES	VS-25CTQ045-M3	96274	VS-25CTQ045PBF
SCHOTTKY DIODES	VS-30CTQ035-M3	96275	VS-30CTQ035PBF
SCHOTTKY DIODES	VS-30CTQ040-M3	96275	VS-30CTQ040PBF
SCHOTTKY DIODES	VS-30CTQ045-M3	96275	VS-30CTQ045PBF
SCHOTTKY DIODES	VS-30CTQ050-M3	96276	VS-30CTQ050PBF
SCHOTTKY DIODES	VS-30CTQ060-M3	96276	VS-30CTQ060PBF
SCHOTTKY DIODES	VS-30CTQ080-M3	96277	VS-30CTQ080PBF
SCHOTTKY DIODES	VS-30CTQ100-M3	96277	VS-30CTQ100PBF
SCHOTTKY DIODES	VS-32CTQ025-M3	96278	VS-32CTQ025PBF
SCHOTTKY DIODES	VS-32CTQ030-M3	96278	VS-32CTQ030PBF
SCHOTTKY DIODES	VS-40CTQ045-M3	96247	VS-40CTQ045PBF
SCHOTTKY DIODES	VS-40CTQ150-M3	96248	VS-40CTQ150PBF
SCHOTTKY DIODES	VS-40L15CT-M3	96249	VS-40L15CTPBF
SCHOTTKY DIODES	VS-42CTQ030-M3	96250	VS-42CTQ030PBF
SCHOTTKY DIODES	VS-43CTQ100-M3	96251	VS-43CTQ100PBF
SCHOTTKY DIODES	VS-47CTQ020-M3	96252	VS-47CTQ020PBF
SCHOTTKY DIODES	VS-48CTQ060-M3	96253	VS-48CTQ060PBF
SCHOTTKY DIODES	VS-60CTQ035-M3	96279	VS-60CTQ035PBF
SCHOTTKY DIODES	VS-60CTQ040-M3	96279	VS-60CTQ040PBF
SCHOTTKY DIODES	VS-60CTQ045-M3	96279	VS-60CTQ045PBF

TO-220			
Family	Halogen-free nomenclature		Old Nomenclature (PBF)
	Part Number	Datasheet	Part Number
SCHOTTKY DIODES	VS-60CTQ150-M3	96254	VS-60CTQ150PBF
SCHOTTKY DIODES	VS-61CTQ035-M3	96280	VS-61CTQ035PBF
SCHOTTKY DIODES	VS-61CTQ040-M3	96280	VS-61CTQ040PBF
SCHOTTKY DIODES	VS-61CTQ045-M3	96280	VS-61CTQ045PBF
SCHOTTKY DIODES	VS-62CTQ030-M3	96255	VS-62CTQ030PBF
SCHOTTKY DIODES	VS-63CTQ100-M3	96256	VS-63CTQ100PBF
SCHOTTKY DIODES	VS-6TQ035-M3	96264	VS-6TQ035PBF
SCHOTTKY DIODES	VS-6TQ040-M3	96264	VS-6TQ040PBF
SCHOTTKY DIODES	VS-6TQ045-M3	96264	VS-6TQ045PBF
SCHOTTKY DIODES	VS-8TQ060-M3	96265	VS-8TQ060PBF
SCHOTTKY DIODES	VS-8TQ080-M3	96265	VS-8TQ080PBF
SCHOTTKY DIODES	VS-8TQ100-M3	96265	VS-8TQ100PBF
SCHOTTKY DIODES	VS-16CTQ100-M3	96272	VS-95-5164PBF
SCHOTTKY DIODES	VS-MBR1035-M3	96266	VS-MBR1035PBF
SCHOTTKY DIODES	VS-MBR1045-M3	96266	VS-MBR1045PBF
SCHOTTKY DIODES	VS-MBR1535CT-M3	96281	VS-MBR1535CTPBF
SCHOTTKY DIODES	VS-MBR1545CT-M3	96281	VS-MBR1545CTPBF
SCHOTTKY DIODES	VS-MBR1635-M3	96267	VS-MBR1635PBF
SCHOTTKY DIODES	VS-MBR1645-M3	96267	VS-MBR1645PBF
SCHOTTKY DIODES	VS-MBR20100CT-M3	96282	VS-MBR20100CTPBF
SCHOTTKY DIODES	VS-MBR2035CT-M3	96283	VS-MBR2035CTPBF
SCHOTTKY DIODES	VS-MBR2045CT-M3	96283	VS-MBR2045CTPBF
SCHOTTKY DIODES	VS-MBR2080CT-M3	96282	VS-MBR2080CTPBF
SCHOTTKY DIODES	VS-MBR2090CT-M3	96282	VS-MBR2090CTPBF
SCHOTTKY DIODES	VS-MBR2535CT-M3	96284	VS-MBR2535CTPBF
SCHOTTKY DIODES	VS-MBR2545CT-M3	96284	VS-MBR2545CTPBF
SCHOTTKY DIODES	VS-MBR3045CT-M3	96257	VS-MBR3045CTPBF
SCHOTTKY DIODES	VS-MBR4045CT-M3	96258	VS-MBR4045CTPBF
SCHOTTKY DIODES	VS-MBR735-M3	96268	VS-MBR735PBF
SCHOTTKY DIODES	VS-MBR745-M3	96268	VS-MBR745PBF
SCHOTTKY DIODES	VS-STPS20L15D-M3	96269	VS-STPS20L15DPBF
SCHOTTKY DIODES	VS-STPS40L15CT-M3	96259	VS-STPS40L15CTPBF

Note: upon this PCN approval, all future TO-263AB (D²PAK), TO-262AA and TO-220 Part Numbers will be shipped from either one of qualified locations.

ANNEX 1

Qualification Data

TO-263AB (D²PAK)

Test Item & Condition	Duration	Schottky	Thyristor	Hexfred	Fred	Diode
HTRB TjMax @100% Vr	168 Hrs	0/77	0/77	0/77	0/77	0/77
	500 Hrs	0/77	0/77	0/77	0/77	0/77
	1000 Hrs	0/77	0/77	0/77	0/77	0/77
Solderability @245°C/5sec	Post	0 / 10	0 / 10	0 / 10	0 / 10	0 / 10
Temperature Cycling @-55°C / +150°C / 30min.	250 Cycs	0/77	0/77	0/77	0/77	0/77
	500 Cycs	0/77	0/77	0/77	0/77	0/77
	1000 Cycs	0/77	0/77	0/77	0/77	0/77
UHAST @Ta= 130°C , 85%R.H.	48 Hrs	0/77	0/77	0/77	0/77	0/77
	96 Hrs	0/77	0/77	0/77	0/77	0/77
IOL Delta Tj=100°C T0n/Toff >= 2min	500 Hrs	0/77	0/77	0/77	0/77	0/77
	1000 Hrs	0/77	0/77	0/77	0/77	0/77
H3TRB 85°C 85% HR @ 100V	168 Hrs	0/77	0/77	0/77	0/77	0/77
	500 Hrs	0/77	0/77	0/77	0/77	0/77
	1000 Hrs	0/77	0/77	0/77	0/77	0/77

2L TO-220AC & 3L TO-220AB

Test Item & Condition	Duration	Diode	Schottky	Fred	Thyristor
HTRB TjMax @100% Vr	168 Hrs	0/77	0/154	0/231	0/154
	500 Hrs	0/77	0/154	0/231	0/154
	1000 Hrs	0/77	0/154	0/231	0/154
Solderability @245°C/5sec	Post	0 / 10	0 / 20	0 / 30	0 / 20
Temperature Cycling @-55°C / +150°C / 30min.	250 Cycs	0/77	0/154	0/231	0/154
	500 Cycs	0/77	0/154	0/231	0/154
	1000 Cycs	0/77	0/154	0/231	0/154
UHAST @Ta= 130°C , 85%R.H.	48 Hrs	0/77	0/154	0/231	0/154
	96 Hrs	0/77	0/154	0/231	0/154
IOL Delta Tj=100°C T0n/Toff >= 2min	500 Hrs	0/77	0/154	0/231	0/154
	1000 Hrs	0/77	0/154	0/231	0/154
H3TRB 85°C 85% HR @ 100V	168 Hrs	0/77	0/154	0/231	0/154
	500 Hrs	0/77	0/154	0/231	0/154
	1000 Hrs	0/77	0/154	0/231	0/154

ANNEX 2 Bill of Materials

TO-263AB (D²PAK) & TO-262AA

	ACTUAL	ADDITIONAL
Die Attach Solder	PbAgIn	PbSnAg
Mold Compound	CEL9220HF13	ELER-8-620A-1

2L TO-220AC & 3L TO-220AB

	ACTUAL	ADDITIONAL
Die Attach Solder (Standard Diodes & Thyristors)	PbSn	PbSnAg
Die Attach Solder (Fred, Hexfred & Schottky Diodes)	SbSnAg	PbSnAg
Mold Compound	SG-8200DTV	GR260SL
Finishing	Tin Dipping	Tin Plating

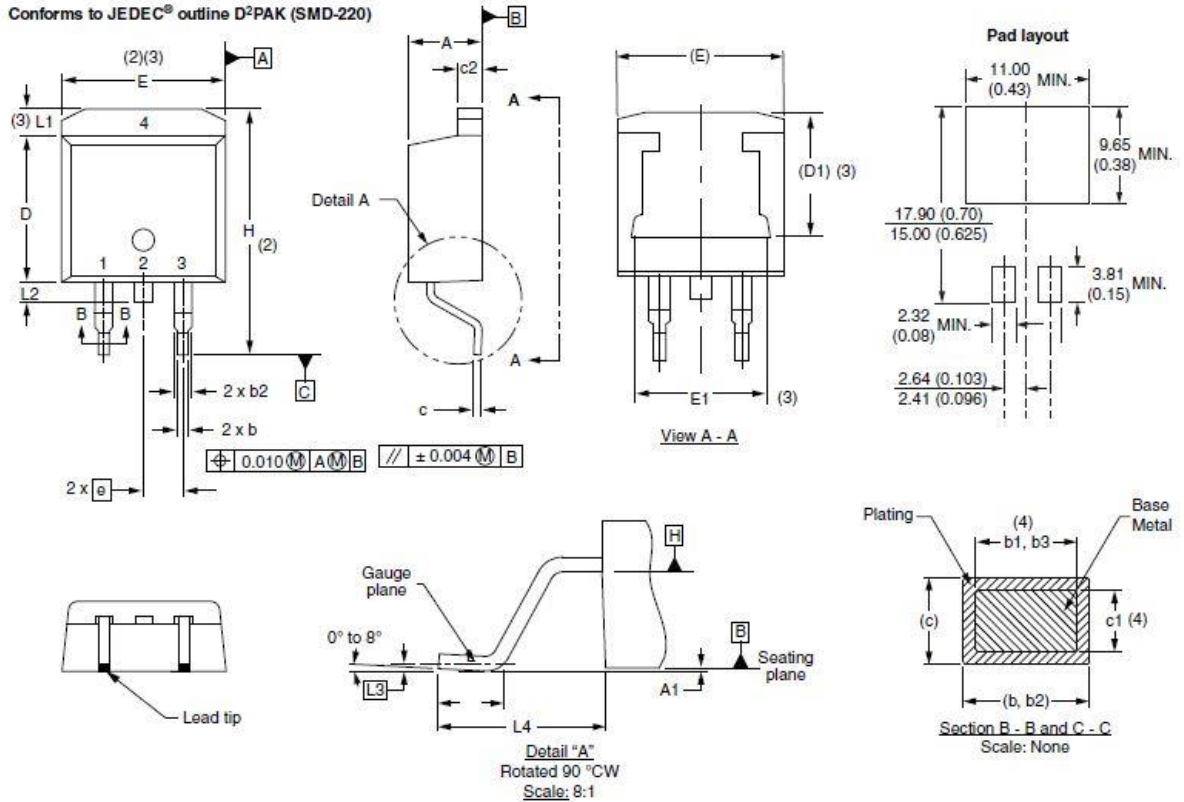
ANNEX 3

Package Outline Dimension

TO-263AB (D²PAK)

DIMENSIONS in millimeters and inches

Conforms to JEDEC[®] outline D²PAK (SMD-220)



SYMBOL	MILLIMETERS		INCHES		NOTES
	MIN.	MAX.	MIN.	MAX.	
A	4.06	4.83	0.160	0.190	
A1	0.00	0.254	0.000	0.010	
b	0.51	0.99	0.020	0.039	
b1	0.51	0.89	0.020	0.035	4
b2	1.14	1.78	0.045	0.070	
b3	1.14	1.73	0.045	0.068	4
c	0.38	0.74	0.015	0.029	
c1	0.38	0.58	0.015	0.023	4
c2	1.14	1.65	0.045	0.065	
D	8.51	9.65	0.335	0.380	2

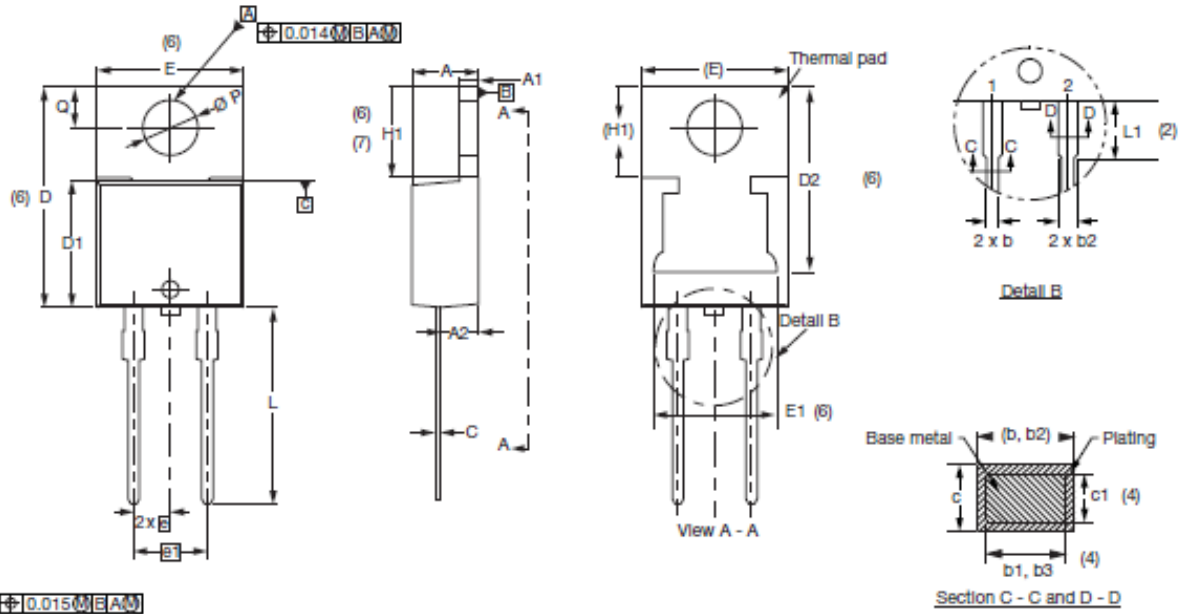
SYMBOL	MILLIMETERS		INCHES		NOTES
	MIN.	MAX.	MIN.	MAX.	
D1	6.86	8.00	0.270	0.315	3
E	9.65	10.67	0.380	0.420	2, 3
E1	7.90	8.80	0.311	0.346	3
e	2.54 BSC		0.100 BSC		
H	14.61	15.88	0.575	0.625	
L	1.78	2.79	0.070	0.110	
L1	-	1.65	-	0.066	3
L2	1.27	1.78	0.050	0.070	
L3	0.25 BSC		0.010 BSC		
L4	4.78	5.28	0.188	0.208	

Notes

- (1) Dimensioning and tolerancing per ASME Y14.5 M-1994
- (2) Dimension D and E do not include mold flash. Mold flash shall not exceed 0.127 mm (0.005") per side. These dimensions are measured at the outmost extremes of the plastic body
- (3) Thermal pad contour optional within dimension E, L1, D1 and E1
- (4) Dimension b1 and c1 apply to base metal only
- (5) Datum A and B to be determined at datum plane H
- (6) Controlling dimension: inches
- (7) Outline conforms to JEDEC[®] outline TO-263AB

2L TO-220AC

DIMENSIONS in millimeters and inches



Conforms to JEDEC® outline TO-220AC

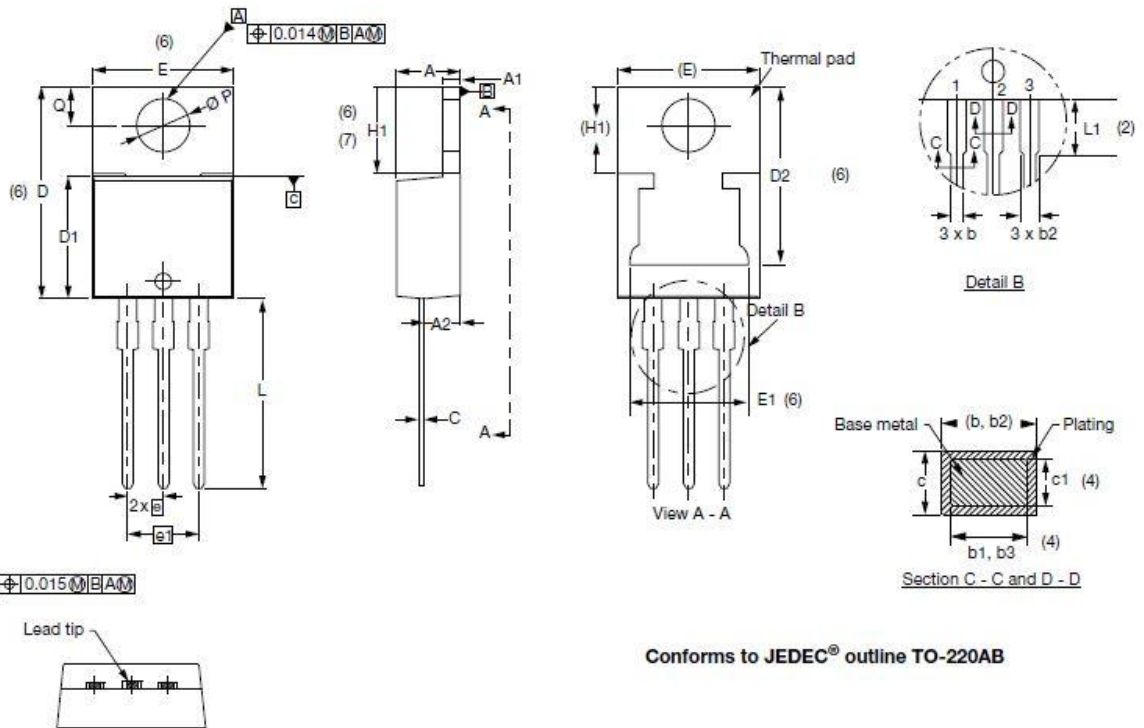
SYMBOL	MILLIMETERS		INCHES		NOTES
	MIN.	MAX.	MIN.	MAX.	
A	4.25	4.65	0.167	0.183	
A1	1.14	1.40	0.045	0.055	
A2	2.50	2.92	0.098	0.115	
b	0.69	1.01	0.027	0.040	
b1	0.38	0.97	0.015	0.038	4
b2	1.20	1.73	0.047	0.068	
b3	1.14	1.73	0.045	0.068	4
c	0.36	0.61	0.014	0.024	
c1	0.36	0.56	0.014	0.022	4
D	14.85	15.35	0.585	0.604	3
D1	8.38	9.02	0.330	0.355	
D2	11.68	12.88	0.460	0.507	6
E	10.11	10.51	0.398	0.414	3, 6
E1	6.86	8.89	0.270	0.350	6
e	2.41	2.67	0.095	0.105	
e1	4.88	5.28	0.192	0.208	
H1	6.09	6.48	0.240	0.255	6, 7
L	13.52	14.02	0.532	0.552	
L1	3.32	3.82	0.131	0.150	2
Ø P	3.54	3.91	0.139	0.154	
Q	2.60	3.00	0.102	0.118	

Notes

- (1) Dimensioning and tolerancing as per ASME Y14.5M-1994
- (2) Lead dimension and finish uncontrolled in L1
- (3) Dimension D, D1, and E do not include mold flash. Mold flash shall not exceed 0.127 mm (0.005") per side. These dimensions are measured at the outermost extremes of the plastic body
- (4) Dimension b1, b3, and c1 apply to base metal only
- (5) Controlling dimensions: inches
- (6) Thermal pad contour optional within dimensions E, H1, D2, and E1
- (7) Outline conforms to JEDEC® TO-220, except D2 (minimum)

3L TO-220AB

DIMENSIONS in millimeters and inches



SYMBOL	MILLIMETERS		INCHES		NOTES
	MIN.	MAX.	MIN.	MAX.	
A	4.25	4.65	0.167	0.183	
A1	1.14	1.40	0.045	0.055	
A2	2.50	2.92	0.098	0.115	
b	0.69	1.01	0.027	0.040	
b1	0.38	0.97	0.015	0.038	4
b2	1.20	1.73	0.047	0.068	
b3	1.14	1.73	0.045	0.068	4
c	0.36	0.61	0.014	0.024	
c1	0.36	0.56	0.014	0.022	4
D	14.85	15.35	0.585	0.604	3
D1	8.38	9.02	0.330	0.355	
D2	11.68	12.88	0.460	0.507	6
E	10.11	10.51	0.398	0.414	3, 6
E1	6.86	8.89	0.270	0.350	6
e	2.41	2.67	0.095	0.105	
e1	4.88	5.28	0.192	0.208	
H1	6.09	6.48	0.240	0.255	6, 7
L	13.52	14.02	0.532	0.552	
L1	3.32	3.82	0.131	0.150	2
Ø P	3.54	3.91	0.139	0.154	
Q	2.60	3.00	0.102	0.118	

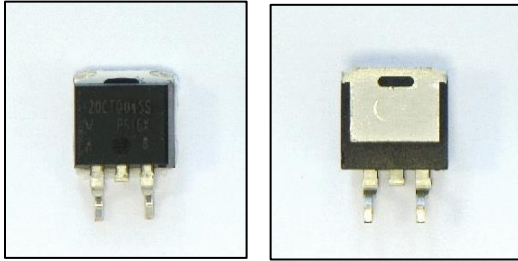
Notes

- (1) Dimensioning and tolerancing as per ASME Y14.5M-1994
- (2) Lead dimension and finish uncontrolled in L1
- (3) Dimension D, D1 and E do not include mold flash. Mold flash shall not exceed 0.127 mm (0.005") per side. These dimensions are measured at the outermost extremes of the plastic body
- (4) Dimension b1, b3 and c1 apply to base metal only
- (5) Controlling dimensions: inches
- (6) Thermal pad contour optional within dimensions E, H1, D2 and E1
- (7) Outline conforms to JEDEC TO-220, except D2 (minimum)

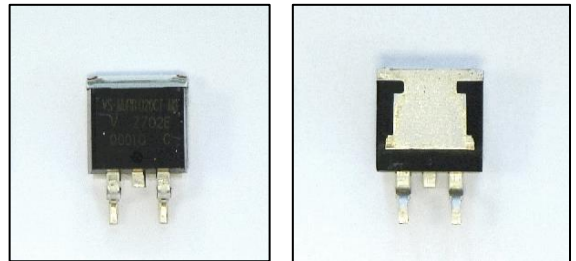
ANNEX 4 Outline

TO-263AB (D²PAK)

Current

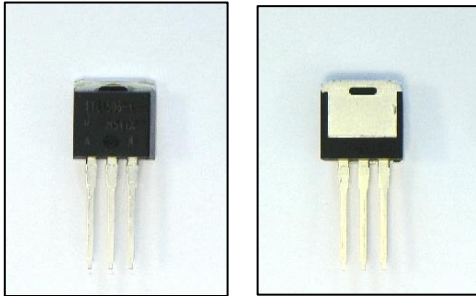


Additional

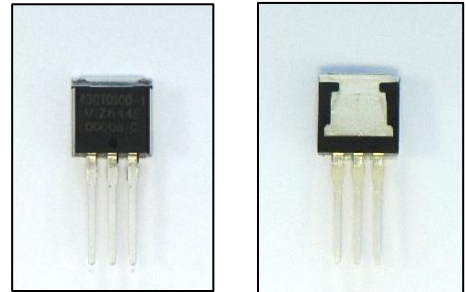


TO-262AA

Current

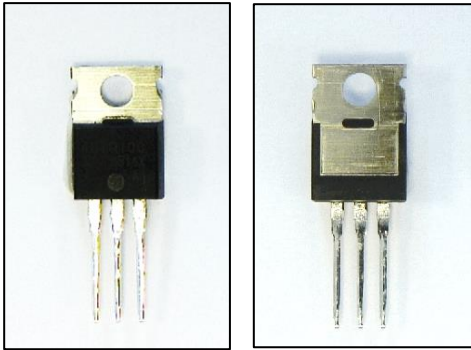


Additional

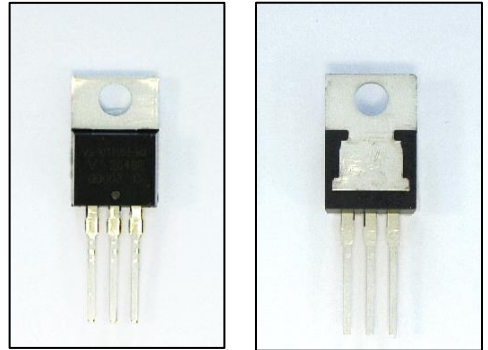


3L TO-220AB

Current

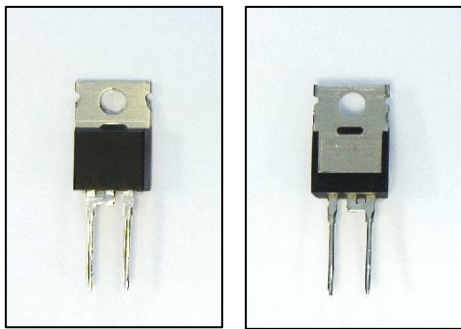


Additional



2L TO-220AC

Current



Additional

