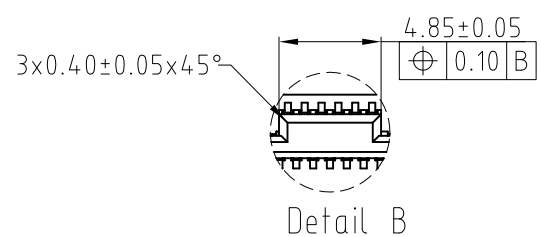
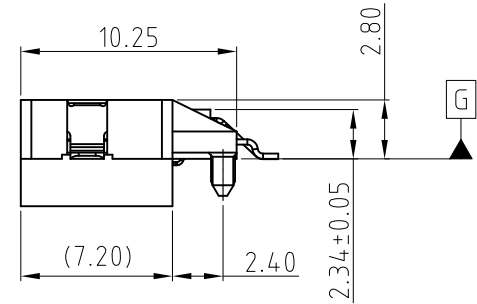
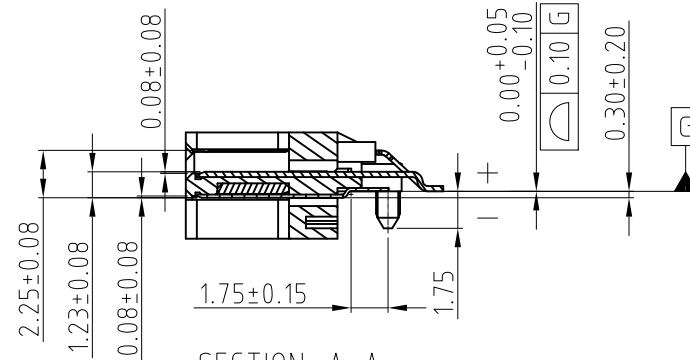
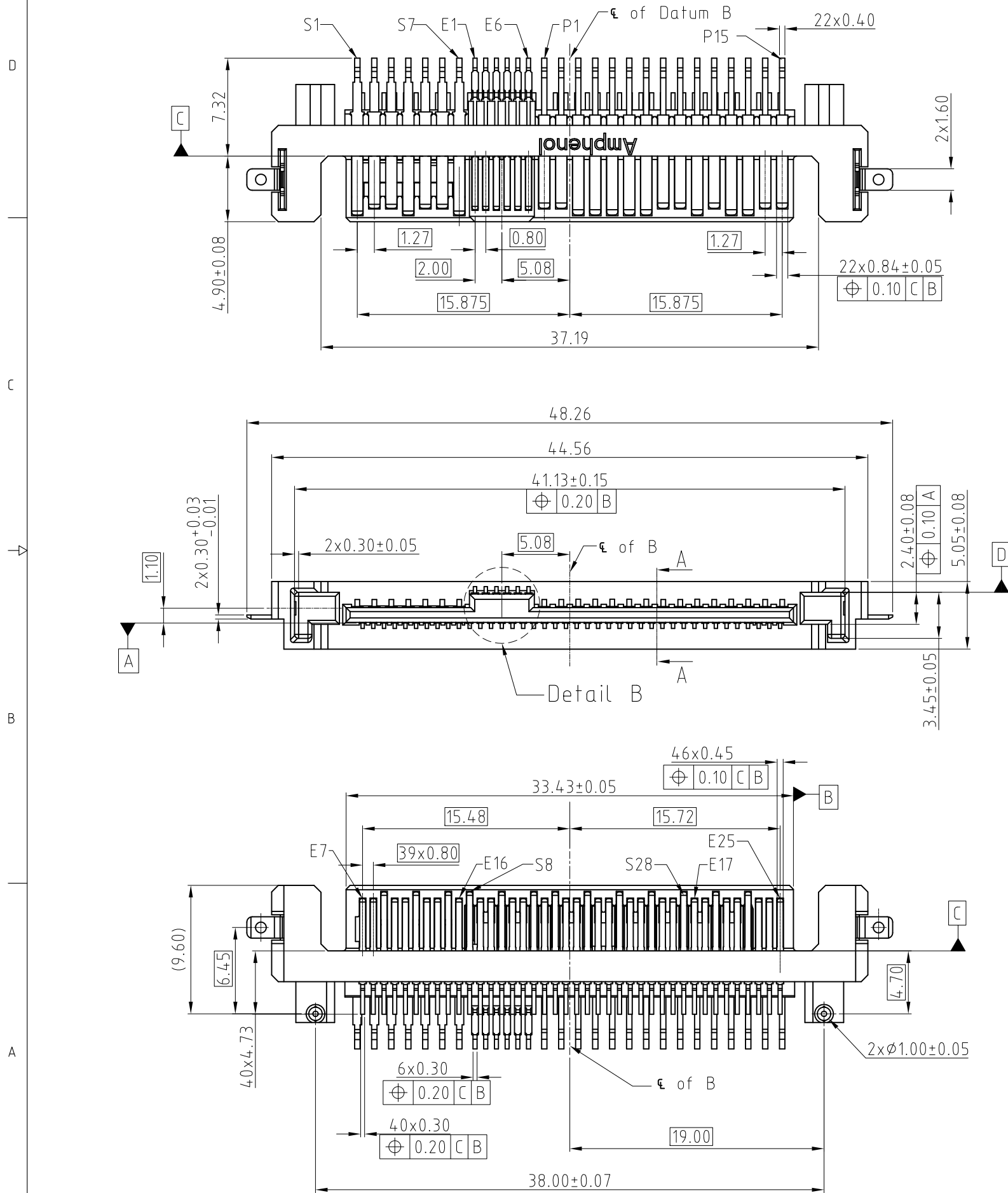


This document is the property of Amphenol Corporation and is delivered on the express condition that it is not to be disclosed, reproduced or used, in whole or in part, for manufacture or sale by anyone other than Amphenol Corporation without its prior consent, & that no right is granted to disclose or to use any information in this document.

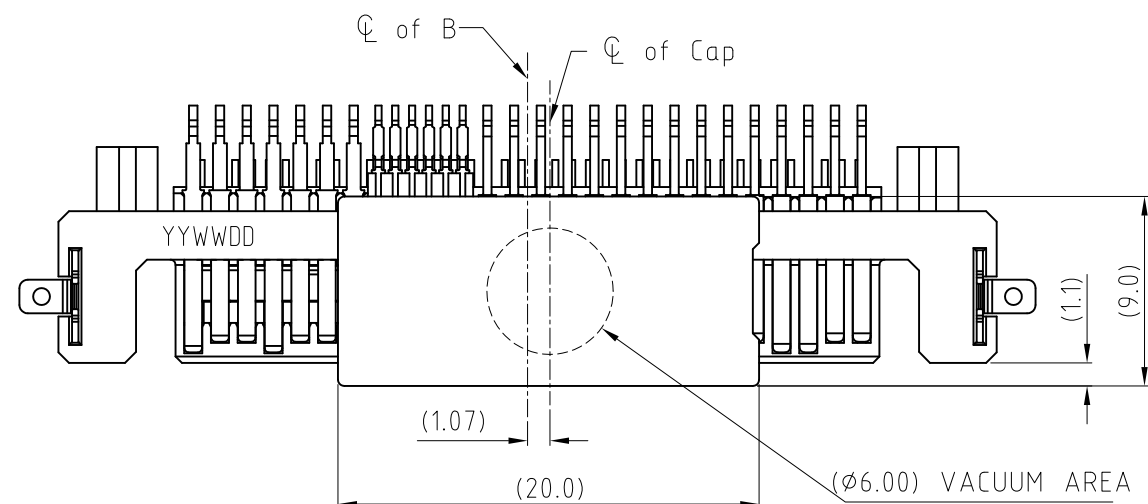
REVISIONS				
SYM	ECN	DESCRIPTION	DATE	APPROVED
1	HK---	FIRST RELEASE	2/23/17	IP
2	HK---	ADD SOLDER TAB DIMENSIONS BY CUSTOMER REQUEST	09/21/17	IP
3	HK---	UPDATE POST DISTANCE TOLERANCE AS CUSTOMER REQUEST	05/28/18	IP
4	HK----	ADDED PACKING DRAWING	11/23/18	IP
5	HK----	ADD DIMENSIONS BY CUSTOMER'S REQUEST	11/29/18	IP



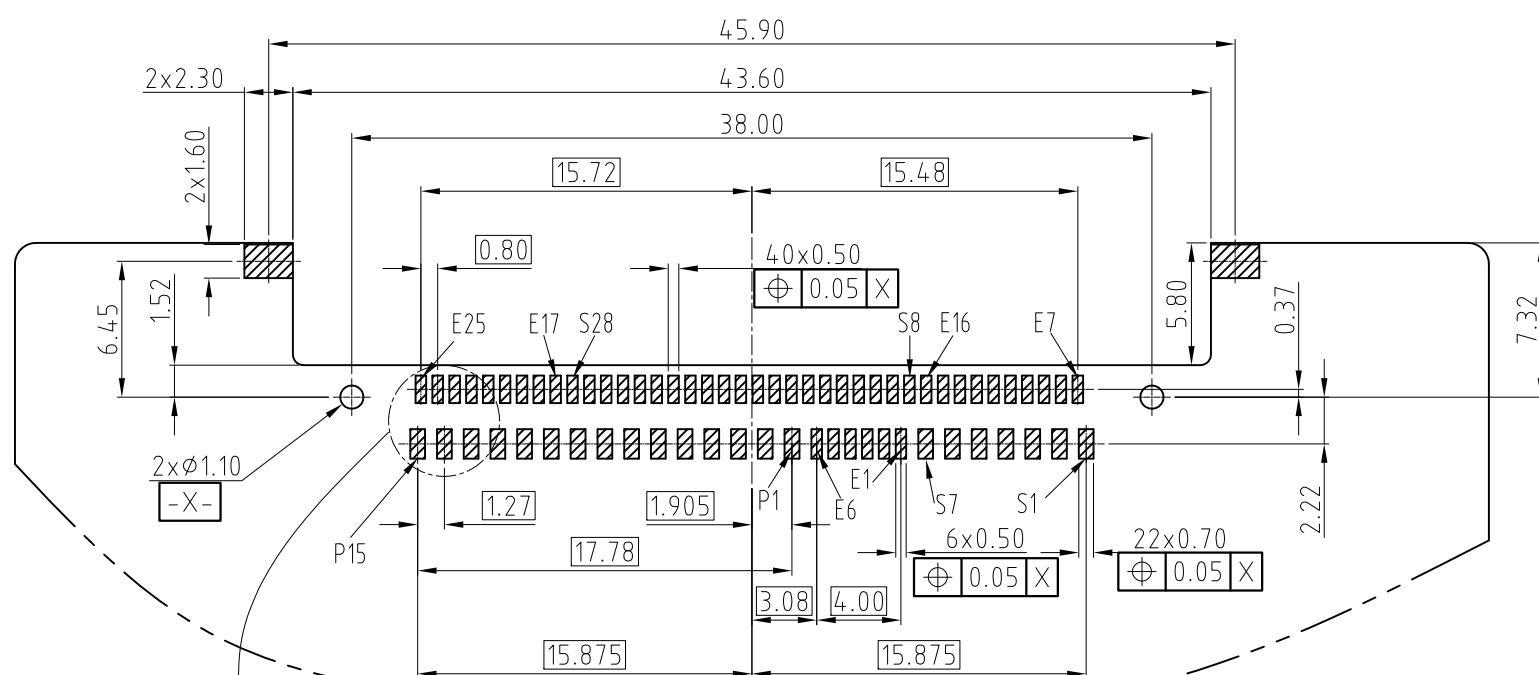
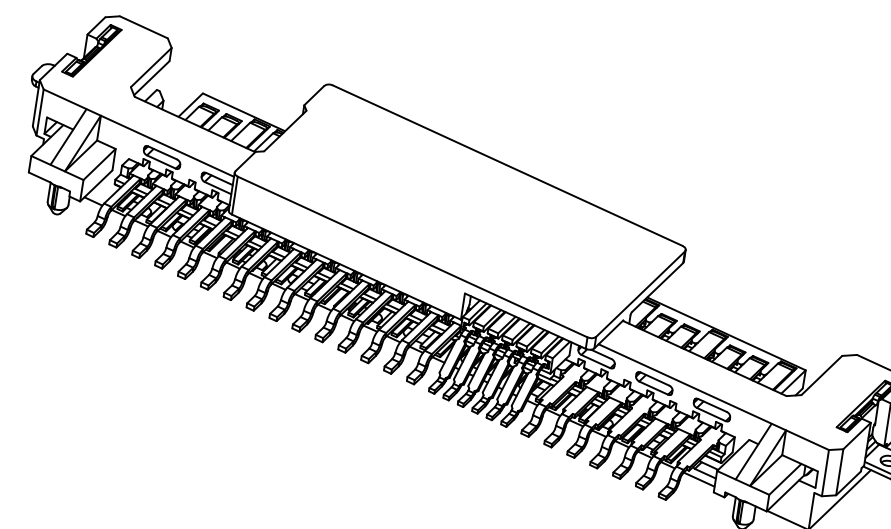
UNLESS OTHERWISE SPECIFIED TOLERANCES	U.S.	METRIC	APPROVAL	DATE	Amphenol
	.X	+/-		0.20	
FOR MATERIALS AND FINISHES SEE NOTES	.XX	+/-	CHECKED		TITLE
	.XXX	+/-	CHECKED		
REMOVE SHARP EDGES	FRACTIONS	+/-	DRAWING FILE :		SIZE
DIMENSIONS	ANGLES +/-	3°	Drawing\PSAS\PSASM213039XXX-5		
U.S.			ANGLE OF PROJECTION		SCALE
(METRIC)					
					SHEET 1 OF 3

This document is the property of Amphenol Corporation and is delivered on the express condition that it is not to be disclosed, reproduced or used, in whole or in part, for manufacture or sale by anyone other than Amphenol Corporation without its prior consent, & that no right is granted to disclose or to use any information in this document.

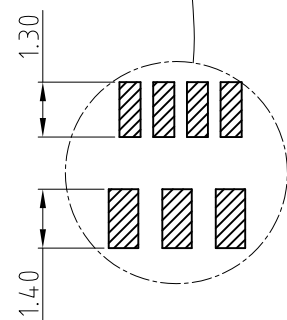
REVISIONS				
SYM	ECN	DESCRIPTION	DATE	APPROVED
		REFER TO SHEET 1		



RECOMMENDED PICK UP CAP



RECOMMENDED PCB LAYOUT  
GENERAL TOLERANCE  $\pm 0.05\text{mm}$



Scale 2:1

NOTES

- MATERIAL
  - HOUSING: HIGH TEMPERATURE THERMOPLASTIC, UL94V-0, COLOR:BLACK.
  - CONTACTS : BRASS  
PLATING: REFER TO P/N SYSTEM ON MATING AREA.  
1.27um MIN NICKEL UNDER PLATED OVERALL.  
2.54um MIN PURE MATTE TIN ON SOLDER TAILS.
  - SOLDER TABS:BRASS  
2.54um MIN PURE MATTE TIN OVER 1.27um MIN NICKEL.
- GENERAL SPECIFICATION
  - CURRENT RATING: 1.5A/PER PIN (POWER SECTION).
  - CONTACT RESISTANCE: 30m $\Omega$  MAX (INITIAL).
  - INSULATOR RESISTANCE: 1000M $\Omega$  MIN.
  - DIELECTRIC WITHSTANDING VOLTAGE: 500 VAC
  - OPERATION TEMPERATURE: 0 $^{\circ}$ C~+85 $^{\circ}$ C
- DIMENSIONING SHALL BE INTERPRETED PER ASME Y14.5M 1994.
- MATERIAL SHOULD BE FULFILLED AMPHENOL SPEC.# S-SN-002, FOR HALOGEN FREE PRODUCTS, ALSO NEED TO MEET S-SN-004.
- ORDER P/N SYSTEM: x PN WITH OR W/O "-" IS THE SAME x  
PSAS-M213-039-X-XX

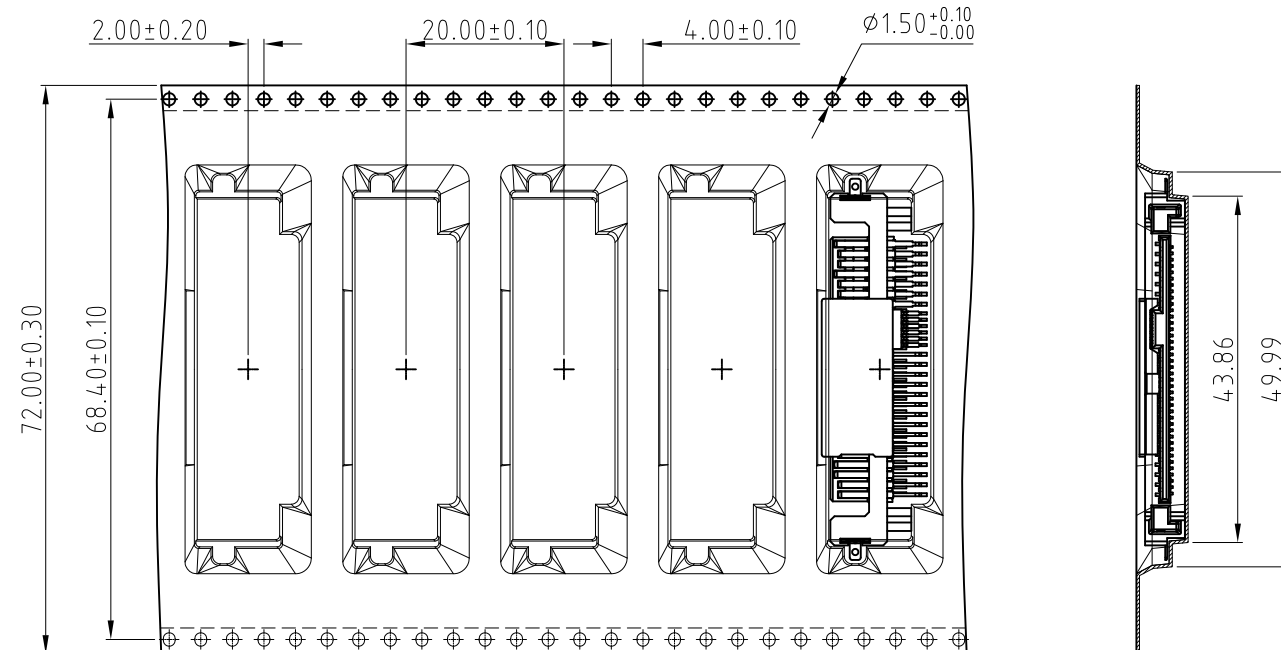
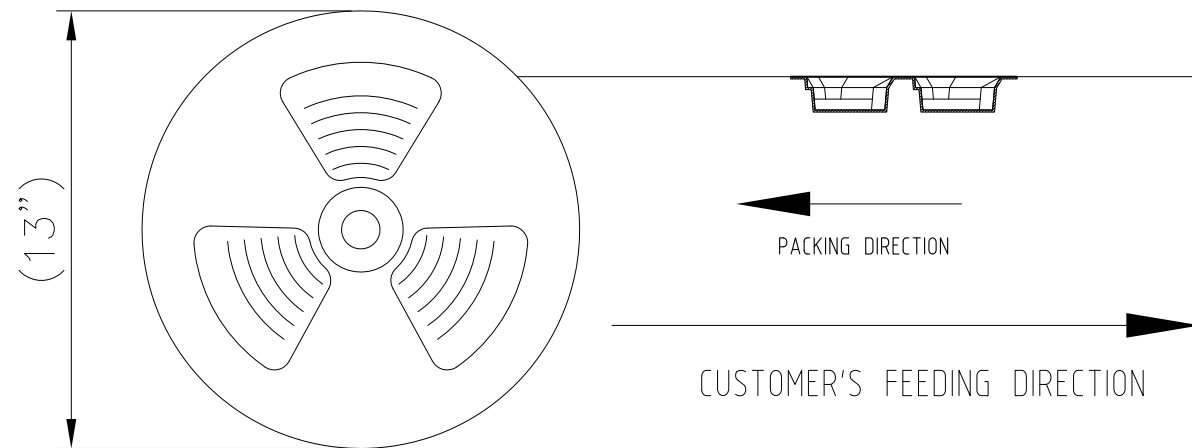
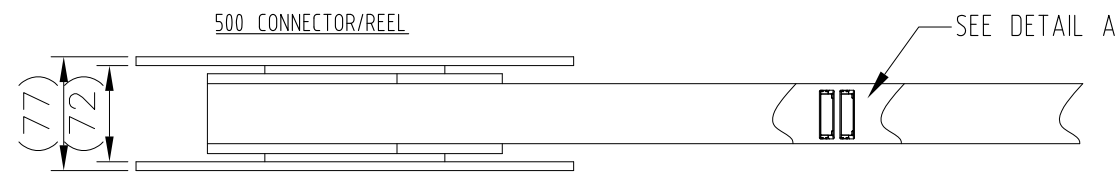
MATING AREA PLATING      PACKING STYLE  
 1- 0.76um MIN Au.      NIL- TRAY  
 2- 0.38um MIN Au.      TR- TAPE AND REEL  
 3- Gold Flash



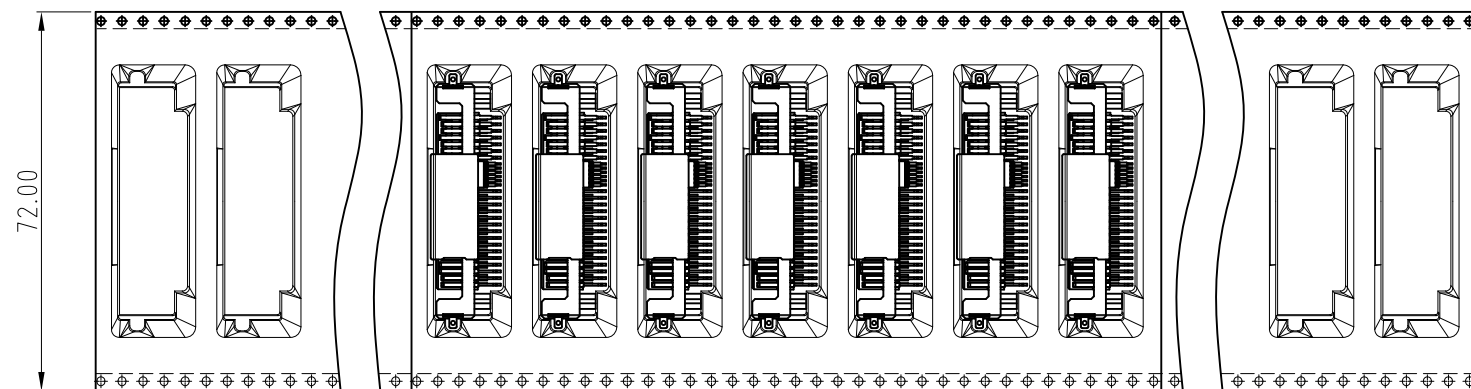
UNLESS OTHERWISE SPECIFIED TOLERANCES	U.S.	METRIC	APPROVAL	DATE	Amphenol			
	.X	+/-		0.20		DRAWN	Evan.Dai	11/29/18
.XX	+/-	0.20	CHECKED			TITLE		
.XXX	+/-	0.20	CHECKED				CUSTOMER DRAWING FOR	
FRACTIONS	+/-	0.20				12G PCIe/SAS R/A SMT PLUG		
ANGLES	+/-	3 $^{\circ}$				SIZE	DRAWING NO.	REV.
FOR MATERIALS AND FINISHES SEE NOTES						A3	PSAS-M213-039-XXX	5
REMOVE SHARP EDGES						SCALE	NONE	SHEET 2 OF 3
DIMENSIONS								
U.S.		INCHES						
(METRIC)		(MM)						

This document is the property of Amphenol Corporation and is delivered on the express condition that it is not to be disclosed, reproduced or used, in whole or in part, for manufacture or sale by anyone other than Amphenol Corporation without its prior consent, & that no right is granted to disclose or to use any information in this document.

REVISIONS				
SYM	ECN	DESCRIPTION	DATE	APPROVED
		REFER TO SHEET 1		

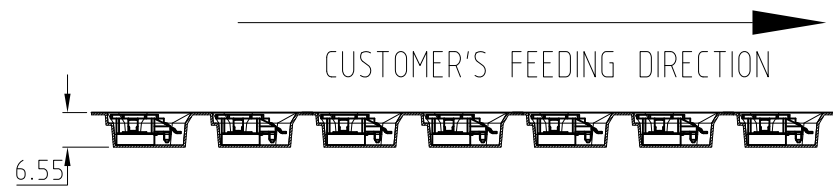


DETAIL A  
SCALE 2:1



(TRAILER)  
EMPTY COMPONENTS SEALED WITH  
TOP COVER TAPE, 20 EMPTY PACKETS(REF)  
500 CONNECTOR CONTAINED INSIDE PACKETS

(LEADER)  
EMPTY COMPONENTS SEALED WITH TOP COVER  
20 EMPTY PACKETS (REF)



UNLESS OTHERWISE SPECIFIED TOLERANCES U.S. METRIC .X +/- 0.20 .XX +/- 0.20 .XXX +/- 0.20 FRACTIONS +/- ANGLES +/- 3° FOR MATERIALS AND FINISHES SEE NOTES REMOVE SHARP EDGES	APPROVAL	DATE	Amphenol Amphenol East Asia Limited		
	DRAWN	Evan.Dai			11/29/18
	CHECKED				
	CHECKED				
	DRAWING FILE :		TITLE		
	Drawing\PSAS\PSASM213039XXX-5		CUSTOMER DRAWING FOR 12G PCIe/SAS R/A SMT PLUG		
DIMENSIONS	ANGLE OF PROJECTION		SIZE	DRAWING NO.	REV.
U.S. INCHES (METRIC) (MM)			A3	PSAS-M213-039-XXX	5
	SCALE	NONE	SHEET 3 OF 3		