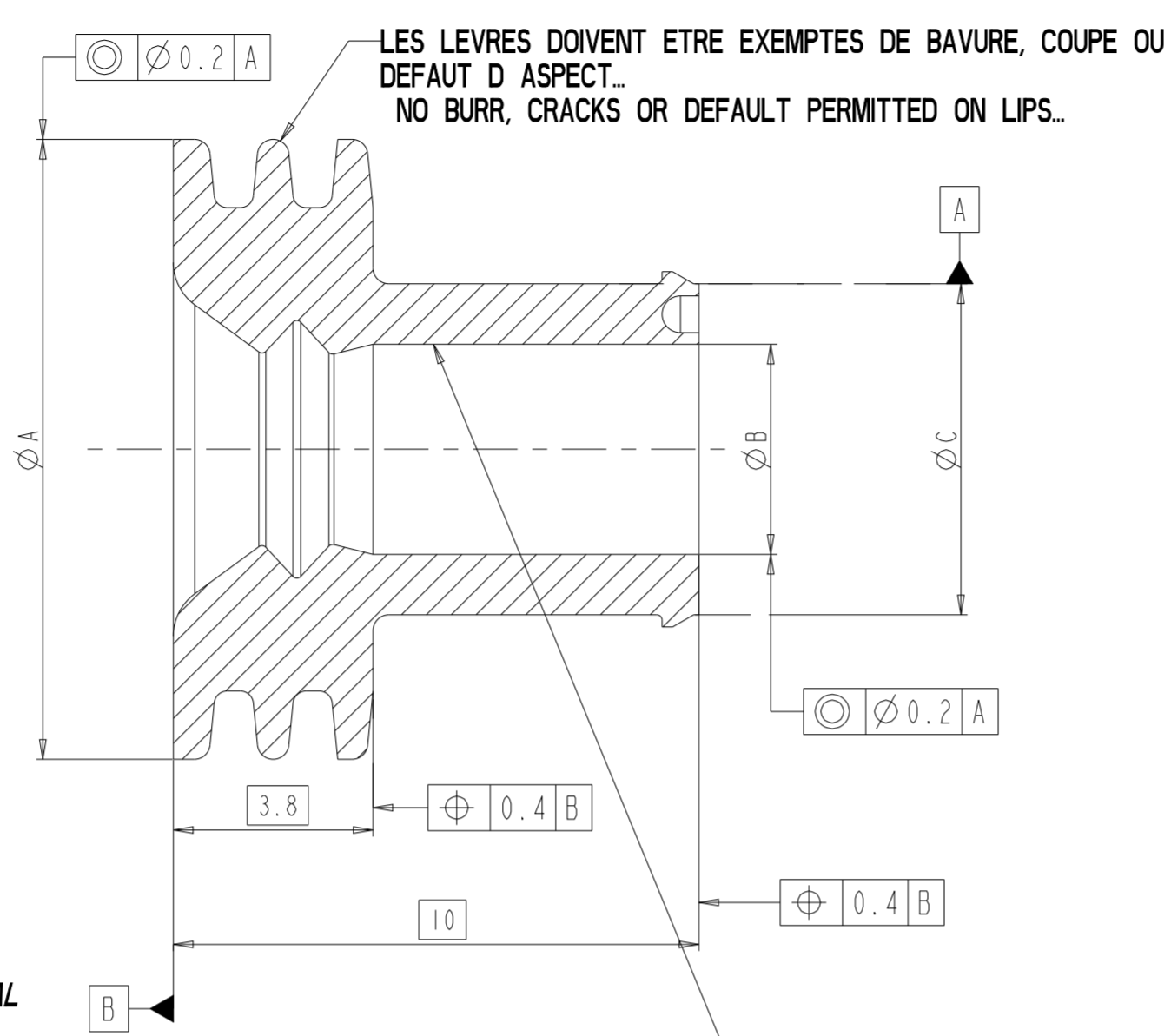
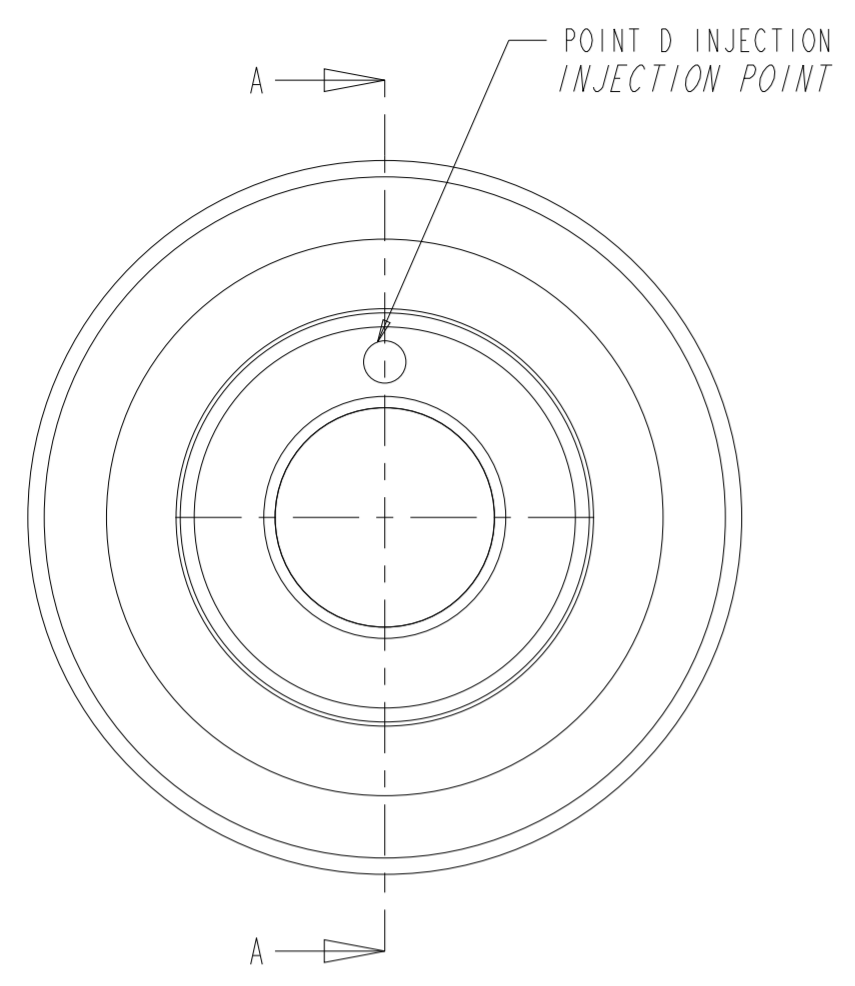


THIS DRAWING IS UNPUBLISHED. RELEASED FOR PUBLICATION
 © COPYRIGHT copyright.dBTe- ALL RIGHTS RESERVED.

REVISIONS					
P	LTR	DESCRIPTION	DATE	DWN	APVD
D		rep 15 0.8±0.15 WAS 0.8-+0.1	25OCT2018	PB	XR
E		TITLE BLOCK CORRECTED	04MAR2021	FB	XR
F		Drawing update	30JAN2023	NE	XR



JOINT UNIFILAIRE / SINGLE WIRE SEAL
 COUPE A-A / SECTION A-A

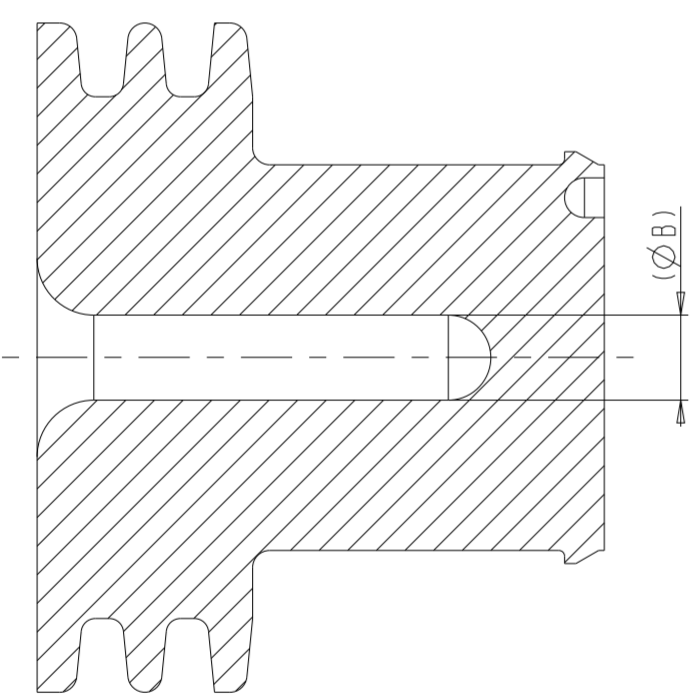
Notes:

- Bavure du point d'injection située dans une zone non fonctionnelle doit être inférieure à 0.4mm de hauteur et 0.3mm d'épaisseur.
- An injection point burr located in a no fonctional area must be less than 0.4mm high and 0.3mm thick
- Cotes fonctionnelle A-B-C/Functional dimensions A-B-C

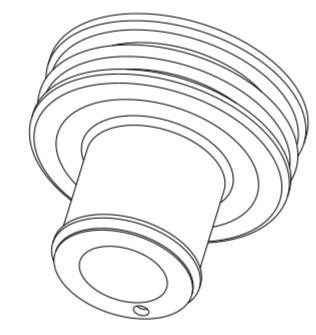
CONDITIONEMENT / PACKAGING

- Sachets hermetiques dans carton suivant norme GALIA
- Sealed bags in box according to GALIA standard

LES SURFACES INTERIEURES DOIVENT ETRE EXEMPTES DE DEFAUT, BAVURE, COUPURE OU DEFORMATION...
 INSIDE AREAS MUSN'T PRESENT BURR, CRACK, DEFORMATION...



BOUCHON / CAVITY PLUG
 COUPE A-A / SECTION A-A



Echelle 3.000
 Scale 3.000

DESIGNATION DESCRIPTION	COULEUR COLOR	REF PRONER PN PRONER	A	B	C	REF PSA PN PSA	REF RENAULT PN RENAULT	REF TE PN TE	MASSE WEIGHT
JOINT UNIFILAIRE A SERTIR SINGLE WIRE SEAL SECTION : 3 A (TO) 6 mm ²	VERT / GREEN SIMILAR TO RAL6001	P8010489526	11.8	3	5.3	9637215880	8200 072 611	1544316-1	0.443 g
JOINT UNIFILAIRE A SERTIR SINGLE WIRE SEAL SECTION : 7 A (TO) 10 mm ²	ORANGE / ORANGE SIMILAR TO RAL2003	P8010589526	11.8	4.5	6.8	9637215980	8200 072 613	1544316-2	0.447 g
BOUCHON D'ETANCHEITE SEALING PLUG	BLANC / WHITE SIMILAR TO RAL9010	P8010689526	11.8	1.5	6.8	9637216080	8200 402 054	1544316-3	0.622 g

THIS DRAWING IS A CONTROLLED DOCUMENT.

DIMENSIONS: mm	TOLERANCES UNLESS OTHERWISE SPECIFIED: 1. PLC ± 2. PLC ±0.15 3. PLC ± 4. PLC ± ANGLES ±2° FINISH -	DWN 07NOV2007 L. CORONELLI CHK P. CHARLES APVD 07NOV2007 J. DAHER PRODUCT SPEC 108-15346 APPLICATION SPEC 411-15697 WEIGHT VOIR TABLE CUSTOMER DRAWING	NAME SINGLE WIRE SEAL AND PLUG - SIZE A2 CAGE CODE 00779 DRAWING NO C-1544316 RESTRICTED TO SCALE 8.000 SHEET 1 OF 1 REV F
-------------------	--	--	---

STE TE Connectivity