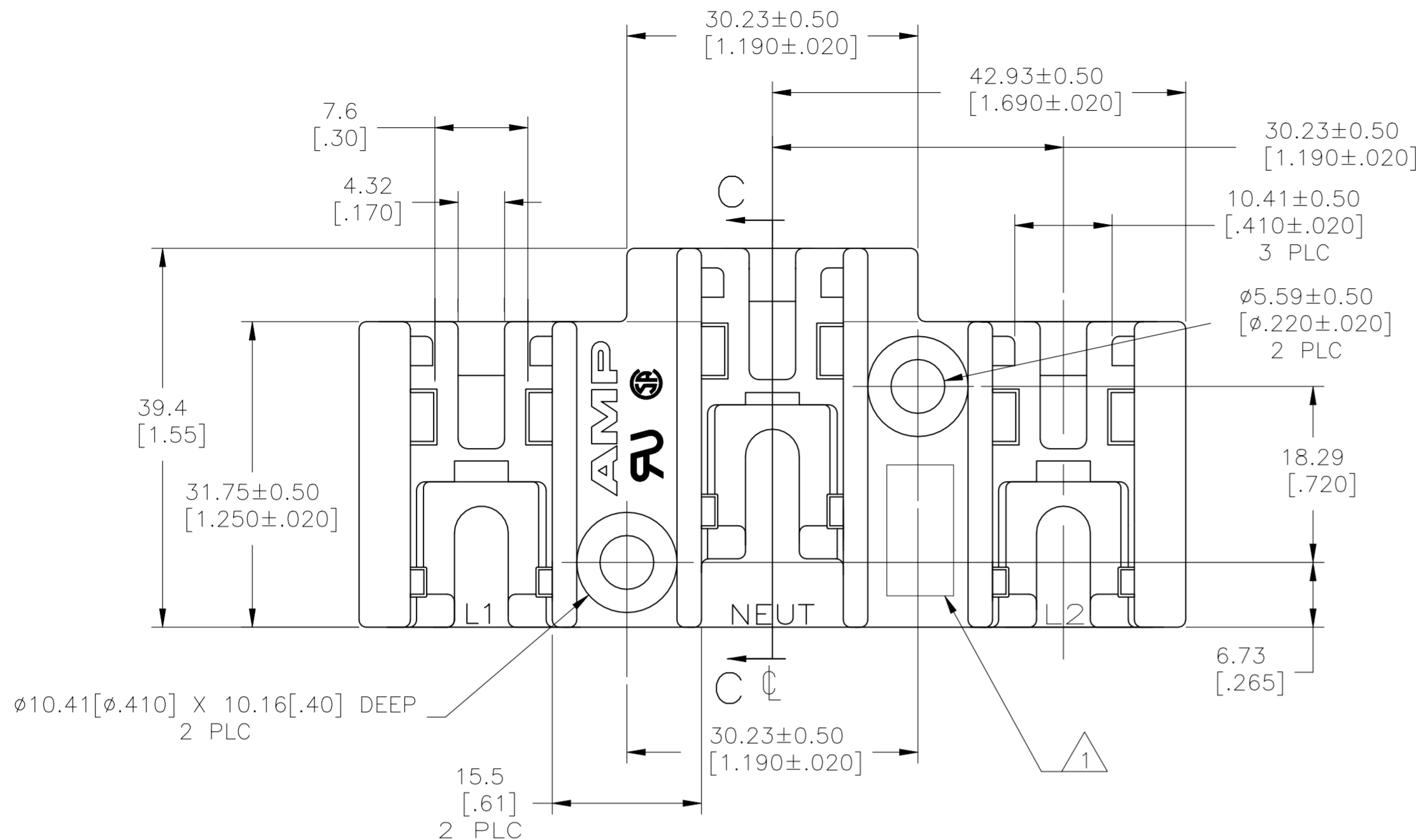
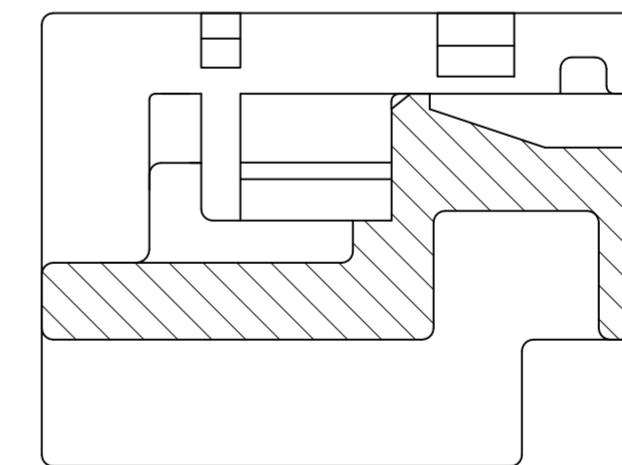
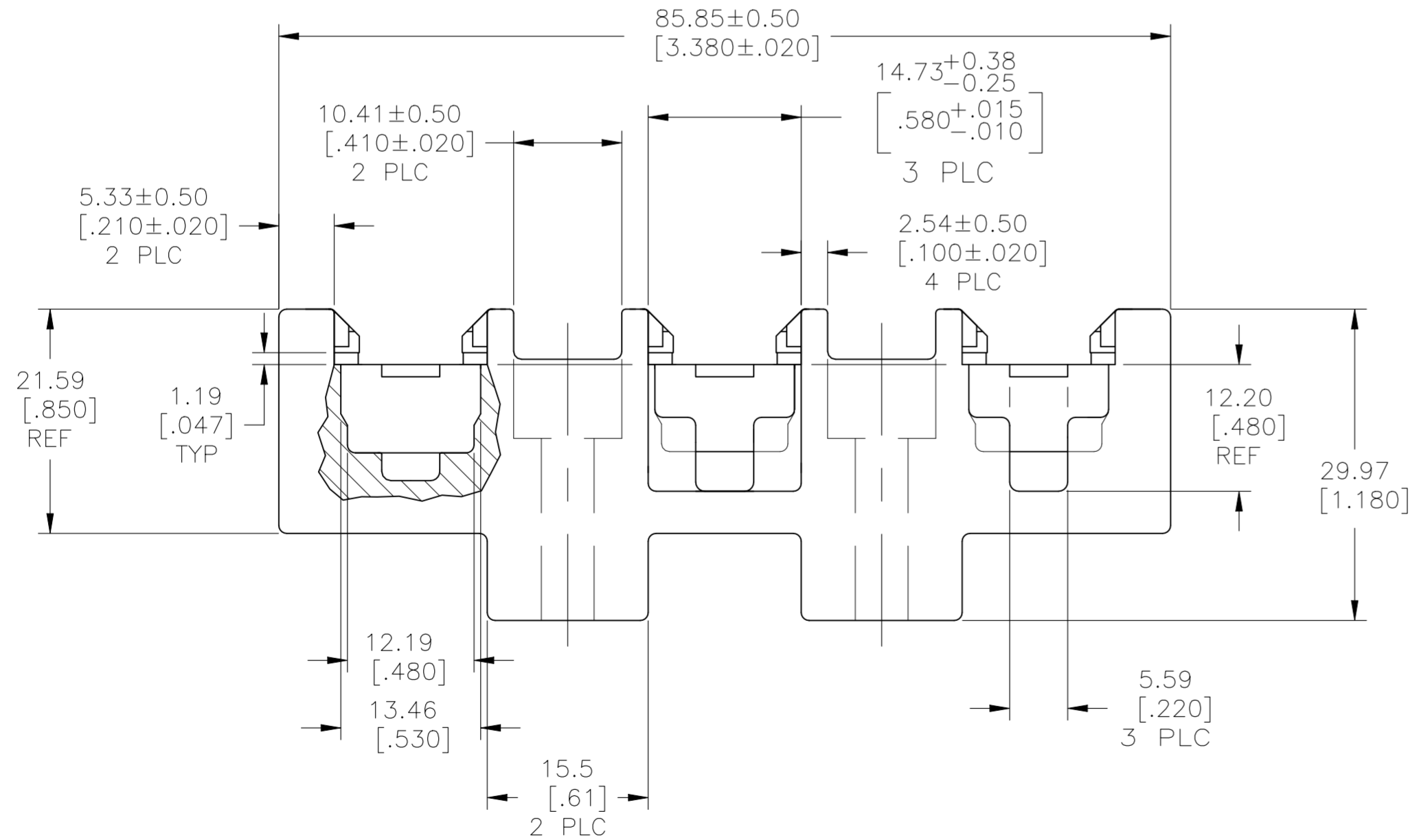


REVISIONS					
P	LTR	DESCRIPTION	DATE	DWN	APVD
J1		REVISED PER ECR-23-162510	13JAN2023	DB	RE



- 1 MARKED WITH NO. WB17X 5095, LOCATED APPROX IN AREA SHOWN.
- 2 OBSOLETE PARTS: OBSOLETE CIS STREAMLINING PER D.RENAUD/D.SINISI



2	SUPERCEDED BY 520942-1	520942-2
1	SUPERCEDED BY 2238272-1	520942-1
PART NO		

THIS DRAWING IS A CONTROLLED DOCUMENT.		DWN	JR RUTH	8/23/88			
DIMENSIONS: mm [INCHES]		CHK	MS FEHER	8/24/88			
TOLERANCES UNLESS OTHERWISE SPECIFIED:		APVD	RP FRANTZ	8/29/88	NAME		
0 PLC ± -		PRODUCT SPEC		108-1191			
1 PLC ± 0.5 [.02]		APPLICATION SPEC		114-2087			
2 PLC ± 0.25 [.010]		WEIGHT		0.000000		SIZE	A2
3 PLC ± -		FINISH		BLACK		CAGE CODE	00779
4 PLC ± -		MATERIAL		PHENOLIC		DRAWING NO	C=520942
ANGLES ± -		CUSTOMER DRAWING		SCALE		2:1	SHEET
						1	1
						REV	J1