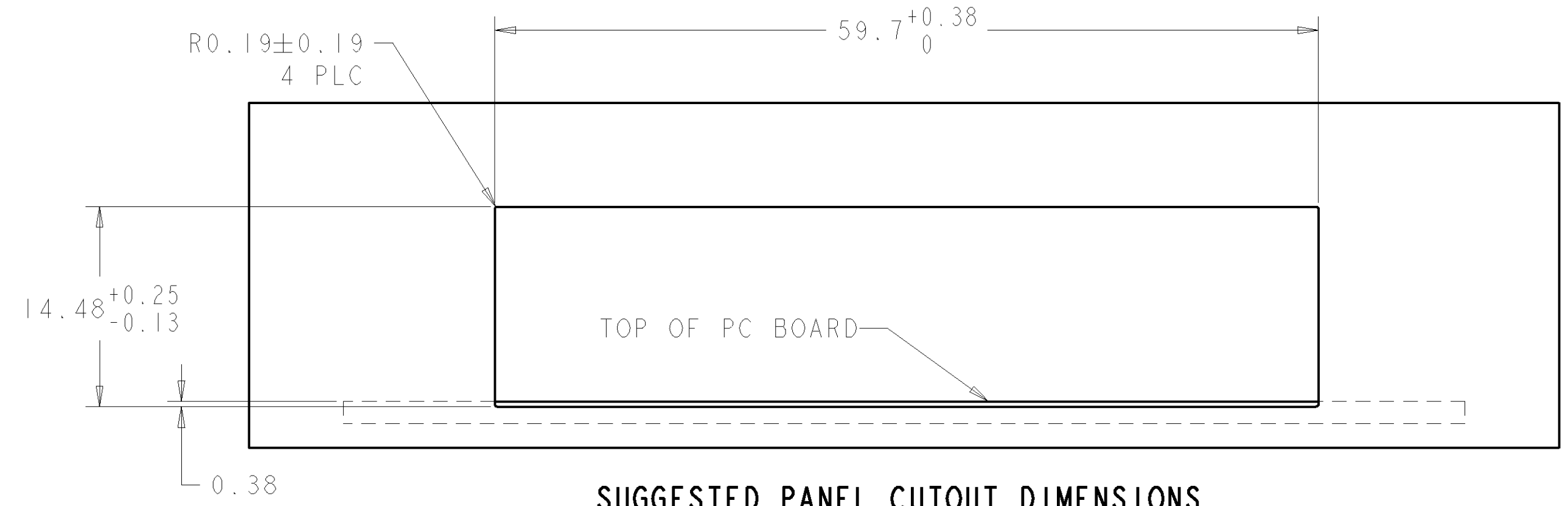
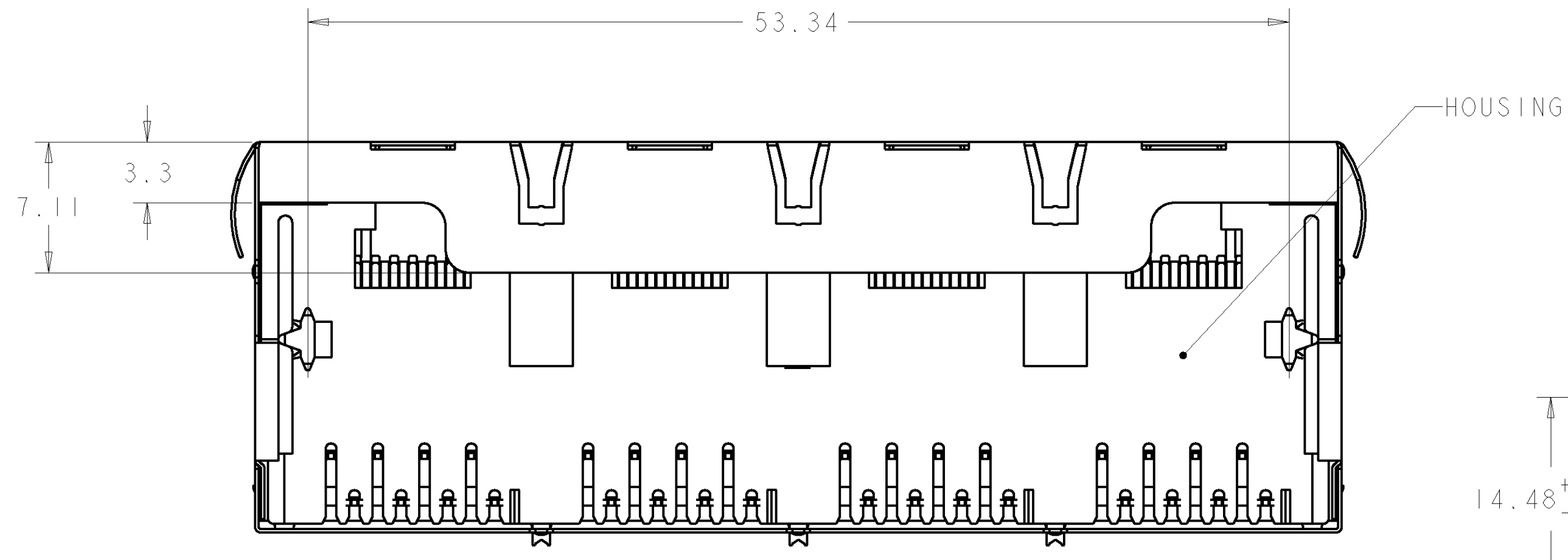
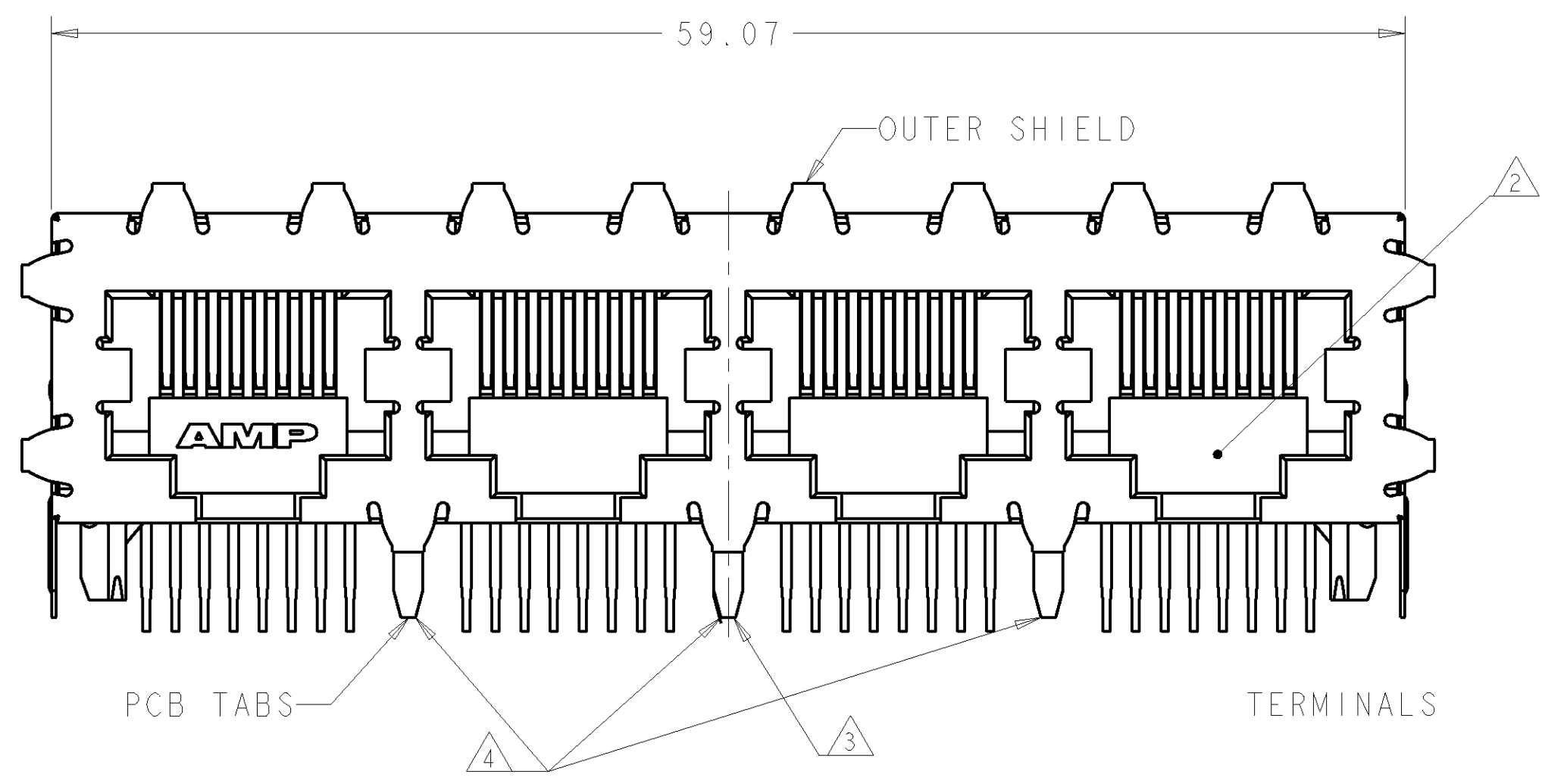
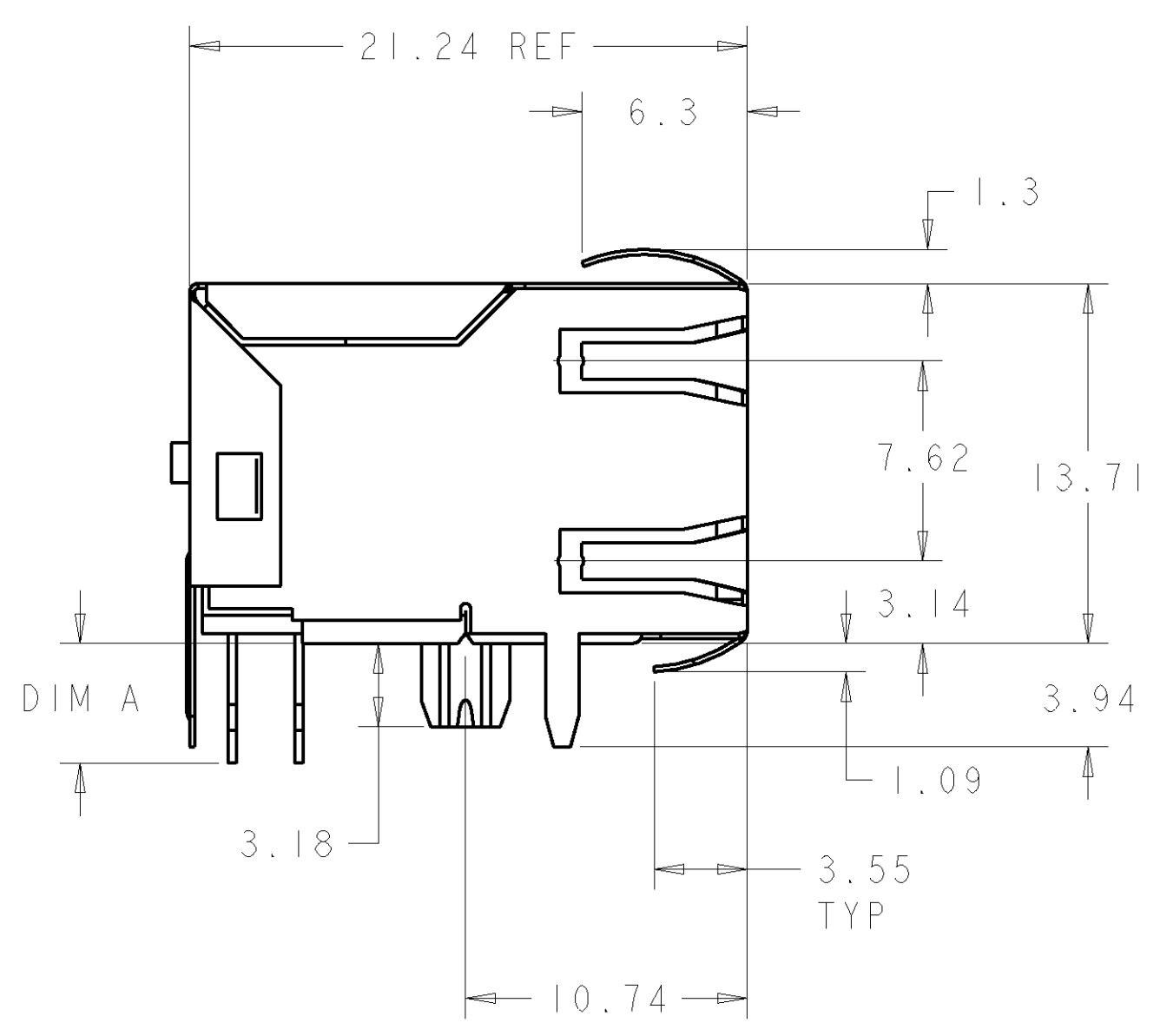
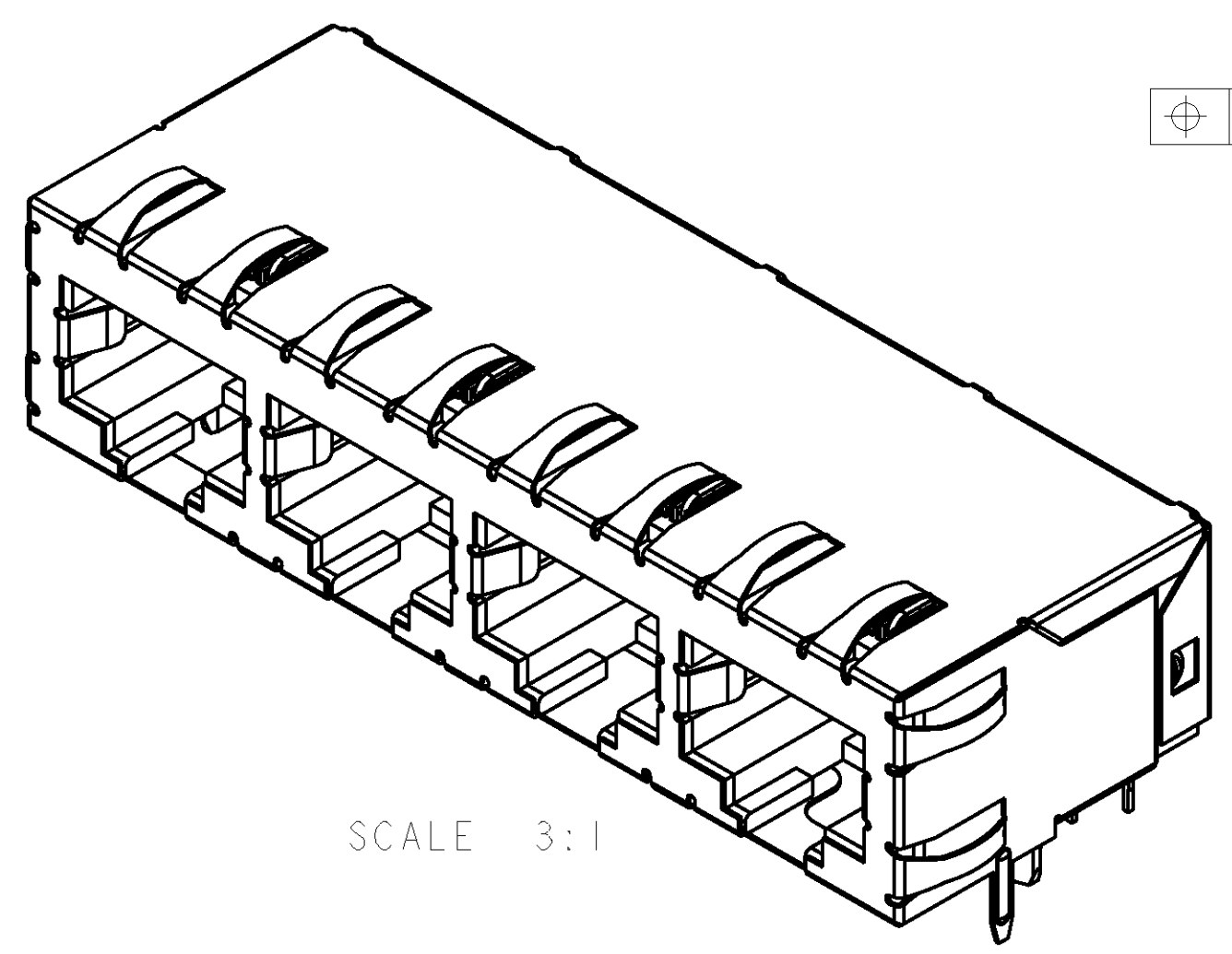


LOC	DIST	REV	DATE	BY	APPD
AA	22				
REVISED PER ECO-11-005033			20APR11	RK	HMR

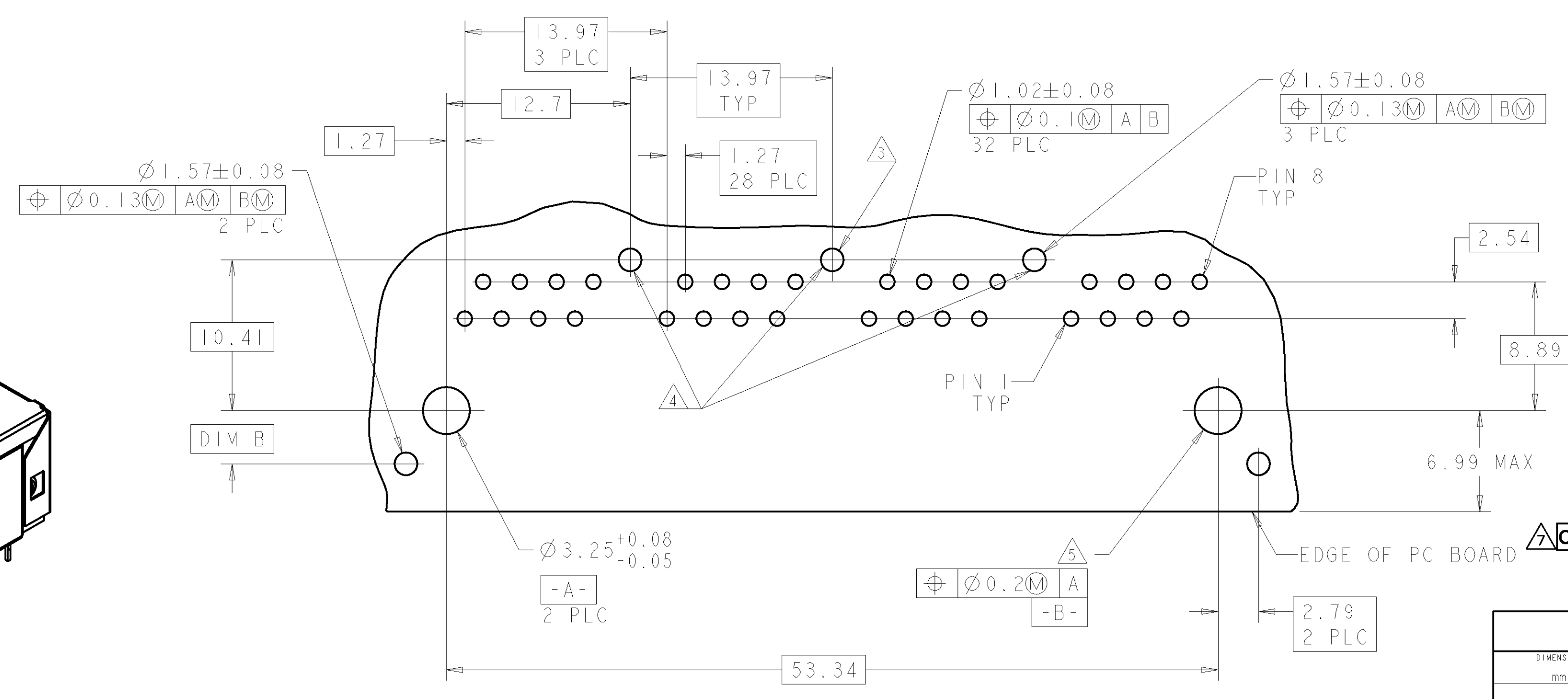


SUGGESTED PANEL CUTOUT DIMENSIONS
SCALE 3:1

- MATERIAL: HOUSING - PCT POLYESTER, BLACK, UL 94V-0
TERMINALS: 0.305 THICK PHOS BRONZE PLATED WITH .0013mm MINIMUM THICK HARD GOLD IN LOCALIZED AREA AND .002mm MINIMUM THICK MATTE TIN IN SOLDER AREA OVER .0013mm MINIMUM THICK NICKEL UNDERPLATE
SHIELD - .196 THICK COPPER ALLOY PLATED WITH .0013mm MINIMUM NICKEL AND .002mm MINIMUM HOT TIN DIP ON PCB GROUND TABS
- JACK CAVITY CONFORMS TO FCC RULES AND REGULATIONS, PART 68 SUBPART F
- PCB HOLES/TABS USED FOR -3
- PCB HOLES/TABS USED FOR -2 AND -4
- USE #30 DRILL BIT OR 3.25mm DRILL BIT WHEN PRODUCING THESE PCB HOLES
- RECOMMENDED APPLICATIONS: FAST ETHERNET, 10 BASE-T ETHERNET, AND 10/100 BASE-T ETHERNET (CAT 5 TWO PAIR 1/2, 3/6)
- OBsolete PARTS: OBSOLETE CIS STREAMLINING PER D.RENAUD/D.SINISI



SCALE 3:1



PC BOARD VIEWED FROM COMPONENT SIDE OF BOARD
SCALE 4:1

3.68	3	3.56	6339167-4
4.57	1	3.56	6339167-3
4.57	3	3.56	6339167-2
4.57	0	3.05	6339167-1
DIM B	NUMBER OF REAR PCB TABS	DIM A	PART NO.

OBsolete

DIMENSIONS:		TOLERANCES UNLESS OTHERWISE SPECIFIED:		DRAWN		REVISED		DATE		BY		APPD							
mm	0 PLC	±		S. SCHOLL	09MAY2005	J. WESTMAN	09MAY2005												
	1 PLC	±.25		S. FLICKINGER															
	2 PLC	±																	
	3 PLC	±																	
	4 PLC	±																	
	ANGLES	±																	
MATERIAL	SEE NOTE 1	FINISH	SEE NOTE 1	PRODUCT SPEC	108-1163-9	APPLICATION SPEC	114-2048	WEIGHT		SIZE	CAGE CODE	DRAWING NO	RESTRICTED TO						
										A100779	C=6339167								
CUSTOMER DRAWING												SCALE	4:1	SHEET	1	OF	1	REV	A3



ASSEMBLY, MULTI-PORT, 1X4, 8 POSITION, SHIELDED, WAVE PANEL GROUND