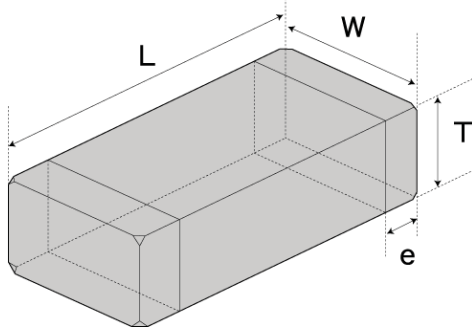


## Multilayer Ceramic Capacitors for High Frequency Applications

## EVK105CH1R5BW-F



## ■ Features

- Item Summary  
16V, COH, 1.5pF, -0.1pF to 0.1pF, 0402
- Lifecycle Stage  
Mass Production
- Standard packaging quantity (minimum)  
Taping paper 10000pcs

## ■ Products characteristics table

CaseSize (EIA/JIS)	0402/1005
Rated Voltage (max)	16V
Capacitance	1.5pF
Capacitance Tolerance	-0.1pF to 0.1pF
Resistance	10,000 MΩ min.
Q (min)	240
Temperature Characteristics (EIA/JIS)	COH/CH
Temperature Range (EIA/JIS)	-55 to +125°C/-55 to +125°C
RoHS Compliance	Yes
Halogen Free	Yes
Soldering Method	Reflow

## ■ External Dimensions

L	1.0mm ±0.05
W	0.5mm ±0.05
T	0.5mm ±0.05
e	0.25mm ±0.1

The data is reference only. Electrical characteristics vary depending on environment or measurement condition.  
 TAIYO YUDEN reserves the right to make change to the Date at any time without notice.  
 Before making final selection, please check product specification.

2013.02.23