

REVISION V

DO NOT SCALE FROM THIS PRINT

NOTES:

1. Ⓢ REPRESENTS CRITICAL DIMENSION.
2. PARTS ARE ROHS COMPLIANT.
3. PARTS TO BE PACKAGED IN TUBES.  
(PT-1-24-01-52 AND TP-13)

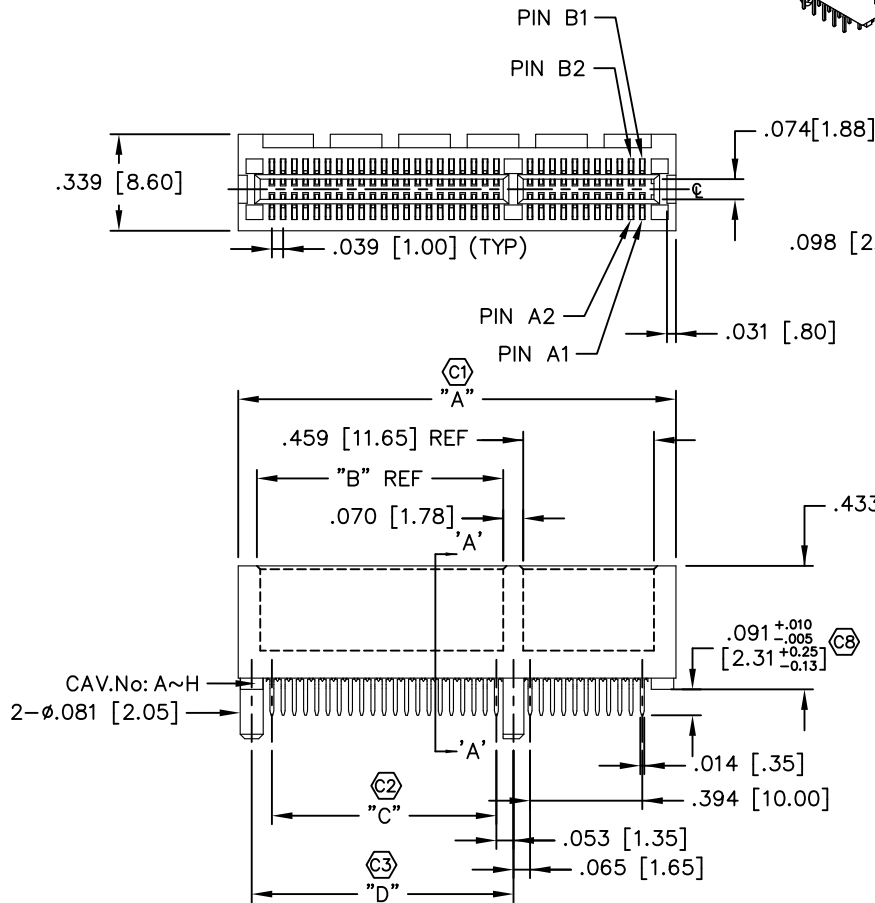
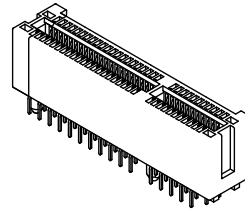
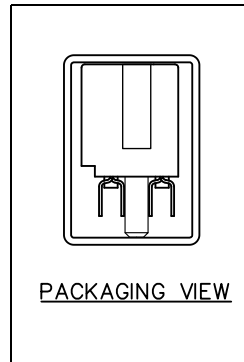
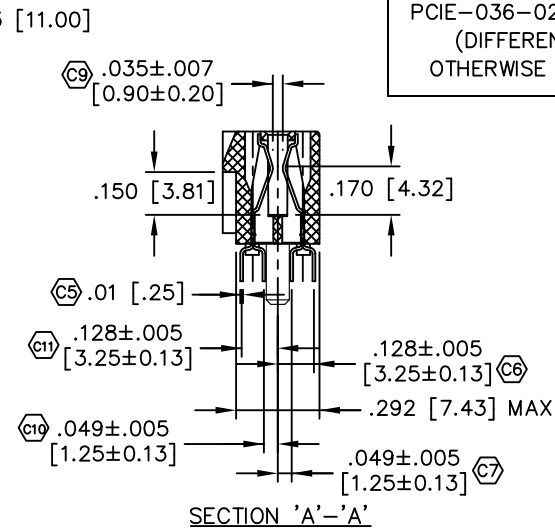
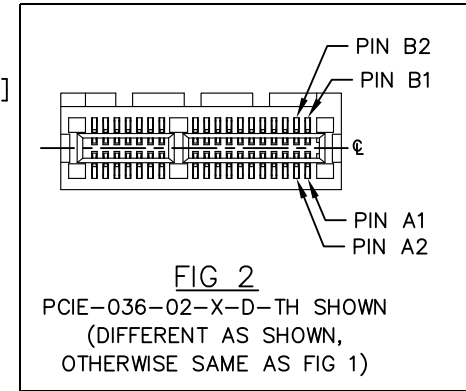
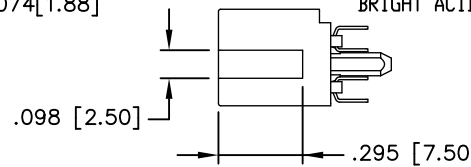


FIG 1  
PCI-E-064-02-X-D-TH SHOWN



PCI-E-XXX-02-X-D-TH

- POSITIONS  
-036, -064, -098, -164  
(SEE TABLE 1)
- LEAD STYLE  
-02: .062[1.57] THICK CARD
- Ⓢ PLATING  
-F: 1μ" FLASH GOLD IN CONTACT AREA,  
BRIGHT ACID TIN ON TAIL.
- TAIL OPTION  
-TH: THROUGH HOLE
- ROW OPTION  
-D: DOUBLE ROW



POSITIONS	"A"	"B"	"C"	"D"	"E"	"F"
-036	.984 [25.00]	.301 [7.65]	.236 [6.00]	.360 [9.15]	.236 [6.00]	.321 [8.15]
-064	1.535 [39.00]	.852 [21.65]	.787 [20.00]	.911 [23.15]	.787 [20.00]	.872 [22.15]
-098	2.205 [56.00]	1.522 [38.65]	1.457 [37.00]	1.581 [40.15]	1.457 [37.00]	1.541 [39.15]
-164	3.504 [89.00]	2.821 [71.65]	2.756 [70.00]	2.879 [73.15]	2.756 [70.00]	2.840 [72.15]

UNLESS OTHERWISE SPECIFIED, DIMENSIONS ARE INCHES [MM]. TOLERANCES ARE:  
DECIMALS HOLES  
.X: ±.10 .X: ±.10  
.XX: ±.020 .XX: ±.015  
.XXX: ±.015 .XXX: ±.010

DO NOT SCALE DRAWING  
INSULATOR: NYLON 6/6 (RATED UL94V-0)  
COLOR: BLACK  
CONTACT: PHOSPHOR BRONZE

**\*PROPRIETARY NOTE\***  
THIS DOCUMENT CONTAINS CONFIDENTIAL AND PROPRIETARY INFORMATION AND ALL DESIGN, MANUFACTURING, REPRODUCTION, USE, PATENT RIGHTS AND SALES RIGHTS ARE EXPRESSLY RESERVED BY SAMTEC, INC. THIS DOCUMENT SHALL NOT BE DISCLOSED, IN WHOLE OR IN PART, TO ANY UNAUTHORIZED PERSON OR ENTITY NOR REPRODUCED, TRANSMITTED OR INCORPORATED IN ANY OTHER PROJECT IN ANY MANNER WITHOUT THE EXPRESS WRITTEN CONSENT OF SAMTEC, INC.

SHEET SCALE: 1:2

F:\DWG\EXISPROD\ASSEMBLY\0\PCI-EXPRESS



520 PARK EAST BLVD. NEW ALBANY, IN 47150  
(812) 944-6733 P.O. BOX 1147 TWX: 810-540-4085

DESCRIPTION: PCI EXPRESS CARD CONNECTOR

DWG. NO. PCI-E-XXX-02-X-D-TH

BY: HARPENAU 03/14/05 SHEET 1 OF 1

CODE: 55322