

1.8V to 11V, 15 μ A, 25 kHz GBW, Rail-to-Rail Input and Output Operational Amplifier

Features

- 1.8V to 11V Single Supply Operation
- ± 0.9 V to ± 5.5 V Dual Supply Operation
- Low 15 μ A Supply Current at 1.8V
- 25 kHz Gain Bandwidth
- 1 mV Input Offset Voltage (Typical)
- 1 pA Input Bias Current (Typical)
- 0.01 pA Input Offset Current (Typical)
- Input-Referred Noise is 110 nV/ $\sqrt{\text{Hz}}$ at 1 kHz
- Output Swing to within 1 mV of Rails with 1.8V Supply And 100 k Ω Load
- Suitable for Driving Capacitive Loads
- Cost Effective SOT23-5 Package

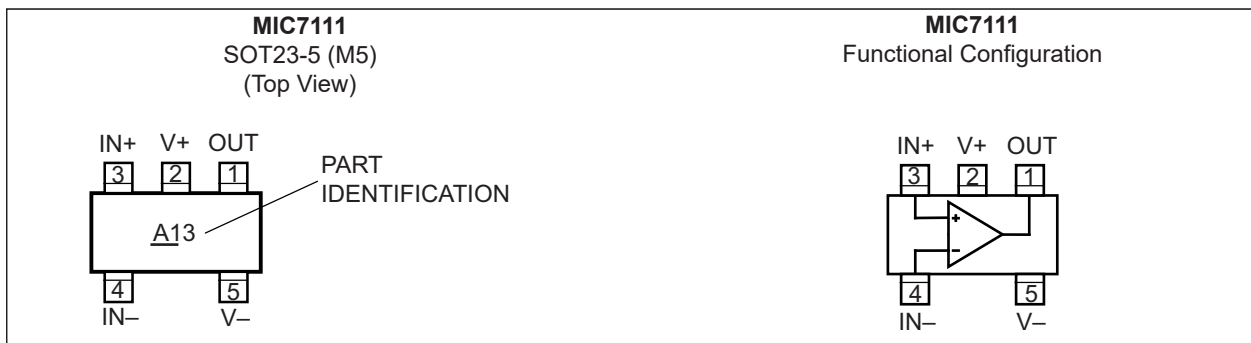
Applications

- Wireless and Cellular Communications
- Gaas RF Bias Amplifier
- Current Sensing for Battery Chargers
- Transducer Linearization and Interface
- Portable Computing

General Description

The MIC7111 is a low-power operational amplifier with rail-to-rail inputs and outputs. The device operates from a 1.8V to 11V single supply or an ± 0.9 V to ± 5.5 V dual supply. The device consumes a low 15 μ A of current from a 1.8V supply and 25 μ A from a 10V supply. The device features a unity gain bandwidth of 25 kHz and swings within 1 mV of either the supply rail with a 100 k Ω load. The device is capable of sinking and sourcing 25 mA of current from a 1.8V supply and up to 200 mA from a 10V supply. The device is available in the cost effective SOT23-5 package.

Package Type



MIC7111

1.0 ELECTRICAL CHARACTERISTICS

Absolute Maximum Ratings †

Supply Voltage, (V_{V+} – V_{V-})	+12V
Differential Input Voltage, (V_{IN+} – V_{IN-})	$\pm(V_{V+}$ – $V_{V-})$
I/O Pin Voltage, (V_{IN} , V_{OUT}), (Note 1)	$V_{V+} + 0.3V$ to $V_{V-} - 0.3V$
ESD Protection On All Pins, (Note 2)	± 2 kV

Operating Ratings ††

Supply Voltage, (V_{V+} – V_{V-})	+1.8V to +11V
Maximum Power Dissipation	Note 3

† **Notice:** Absolute maximum ratings indicate limits beyond which damage to the component may occur. Electrical specifications do not apply when operating the device outside its recommended operating ratings.

†† **Notice:** The device is not guaranteed to function outside its operating ratings.

Note 1: I/O pin voltage is any external voltage to which an input or output is referenced.

2: Devices are ESD protected, however, handling precautions are recommended. All limits guaranteed by testing on statistical analysis. Human body model, 1.5 k Ω in series with 100 pF.

3: The maximum allowable power dissipation is a function of the maximum junction temperature, $T_{J(MAX)}$; the junction-to-ambient thermal resistance, θ_{JA} ; and the ambient temperature, T_A . The maximum allowable power dissipation at any ambient temperature is calculated using $P_D = (T_{J(MAX)} - T_A) \div \theta_{JA}$. Exceeding the maximum allowable power dissipation will result in excessive die temperature. See [Temperature Specifications](#) section.

DC ELECTRICAL CHARACTERISTICS (1.8V)

Electrical Characteristics: Unless otherwise indicated, $V_{V+} = +1.8V$; $V_{V-} = 0V$; $V_{CM} = V_{OUT} = V_{V+}/2$; $R_L = 1$ M Ω ; $T_J = +25^\circ C$.

Parameters	Sym.	Min.	Typ.	Max.	Units	Conditions
Input Offset Voltage	V_{OS}	—	0.9	7	mV	—
		—	—	9	mV	$-40^\circ C \leq T_J \leq +85^\circ C$
Input Offset Voltage Temperature Drift	TCV_{OS}	—	2.0	—	$\mu V/^\circ C$	—
Input Bias Current	I_B	—	1	10	pA	—
		—	—	500		$-40^\circ C \leq T_J \leq +85^\circ C$
Input Offset Current	I_{OS}	—	0.01	0.5	pA	—
		—	—	75		$-40^\circ C \leq T_J \leq +85^\circ C$
Input Resistance	R_{IN}	—	>10	—	T Ω	—
Positive Power Supply Rejection Ratio	+PSRR	60	85	—	dB	$1.8V \leq V_{V+} \leq 5V$, $V_{V-} = 0V$, $V_{CM} = V_{OUT} = 0.9V$
Negative Power Supply Rejection Ratio	–PSRR	60	85	—	dB	$-1.8V \leq V_{V-} \leq -5V$, $V_{V+} = 0V$, $V_{CM} = V_{OUT} = -0.9V$
Common-Mode Rejection Ratio	CMRR	50	70	—	dB	$V_{CM} = -0.2V$ to $+2.0V$
Common-Mode Input Capacitance	C_{IN}	—	3	—	pF	—

DC ELECTRICAL CHARACTERISTICS (1.8V) (CONTINUED)

Electrical Characteristics: Unless otherwise indicated, $V_{V+} = +1.8V$; $V_{V-} = 0V$; $V_{CM} = V_{OUT} = V_{V+}/2$; $R_L = 1\text{ M}\Omega$; $T_J = +25^\circ\text{C}$.

Parameters	Sym.	Min.	Typ.	Max.	Units	Conditions
Output Voltage Swing	V_{OUT}	—	0.14	1	mV	Output HIGH, $R_L = 100\text{ k}\Omega$, Specified as $V_{V+} - V_{OUT}$
		—	—	1		Output HIGH, $R_L = 100\text{ k}\Omega$, Specified as $V_{V+} - V_{OUT}$ $-40^\circ\text{C} \leq T_J \leq +85^\circ\text{C}$
		—	0.14	1		Output LOW, $R_L = 100\text{ k}\Omega$
		—	—	1		Output LOW, $R_L = 100\text{ k}\Omega$ $-40^\circ\text{C} \leq T_J \leq +85^\circ\text{C}$
		—	6.8	23		Output HIGH, $R_L = 2\text{ k}\Omega$, Specified as $V_{V+} - V_{OUT}$
		—	—	34		Output HIGH, $R_L = 2\text{ k}\Omega$, Specified as $V_{V+} - V_{OUT}$ $-40^\circ\text{C} \leq T_J \leq +85^\circ\text{C}$
		—	6.8	23		Output LOW, $R_L = 2\text{ k}\Omega$
		—	—	34		Output LOW, $R_L = 2\text{ k}\Omega$ $-40^\circ\text{C} \leq T_J \leq +85^\circ\text{C}$
Output Short-Circuit Current (Note 1)	I_{SC}	15	25	—	mA	Sourcing, $V_{OUT} = 0V$
		15	25	—		Sinking, $V_{OUT} = 1.8V$
Voltage Gain	A_{VOL}	—	400	—	V/mV	Sourcing
		—	400	—		Sinking
Supply Current	I_S	—	15	35	μA	$V_{V+} = 1.8V$, $V_{OUT} = V_{V+}/2$

Note 1: Short circuit may cause device to exceed maximum allowable power dissipation.

AC ELECTRICAL CHARACTERISTICS (1.8V)

Electrical Characteristics: Unless otherwise indicated, $V_{V+} = +1.8V$; $V_{V-} = 0V$; $V_{CM} = V_{OUT} = V_{V+}/2$; $R_L = 1\text{ M}\Omega$; $T_J = +25^\circ\text{C}$.

Parameters	Sym.	Min.	Typ.	Max.	Units	Conditions
Slew Rate	SR	—	0.015	—	V/ μs	Voltage follower, 1V step, $R_L = 100\text{ k}\Omega$ at 0.9V, $V_{OUT} = 1V_{PP}$
Gain Bandwidth Product	GBWP	—	25	—	kHz	—

DC ELECTRICAL CHARACTERISTICS (2.7V)

Electrical Characteristics: Unless otherwise indicated, $V_{V+} = +2.7V$; $V_{V-} = 0V$; $V_{CM} = V_{OUT} = V_{V+}/2$; $R_L = 1\text{ M}\Omega$; $T_J = +25^\circ\text{C}$.

Parameters	Sym.	Min.	Typ.	Max.	Units	Conditions
Input Offset Voltage	V_{OS}	—	0.9	7	mV	—
		—	—	9	mV	$-40^\circ\text{C} \leq T_J \leq +85^\circ\text{C}$
Input Offset Voltage Temperature Drift	TCV_{OS}	—	2.0	—	$\mu\text{V}/^\circ\text{C}$	—

Note 1: Short circuit may cause device to exceed maximum allowable power dissipation.

MIC7111

DC ELECTRICAL CHARACTERISTICS (2.7V) (CONTINUED)

Electrical Characteristics: Unless otherwise indicated, $V_{V+} = +2.7V$; $V_{V-} = 0V$; $V_{CM} = V_{OUT} = V_{V+}/2$; $R_L = 1\text{ M}\Omega$; $T_J = +25^\circ\text{C}$.

Parameters	Sym.	Min.	Typ.	Max.	Units	Conditions
Input Bias Current	I_B	—	1	10	pA	—
		—		500		$-40^\circ\text{C} \leq T_J \leq +85^\circ\text{C}$
Input Offset Current	I_{OS}	—	0.01	0.5	pA	—
		—		75		$-40^\circ\text{C} \leq T_J \leq +85^\circ\text{C}$
Input Resistance	R_{IN}	—	>10	—	T Ω	—
Positive Power Supply Rejection Ratio	+PSRR	60	90	—	dB	$2.7V \leq V_{V+} \leq 5V$, $V_{V-} = 0V$, $V_{CM} = V_{OUT} = 1.35V$
Negative Power Supply Rejection Ratio	-PSRR	60	90	—	dB	$-2.7V \leq V_{V-} \leq -5V$, $V_{V+} = 0V$, $V_{CM} = V_{OUT} = -1.35V$
Common-Mode Rejection Ratio	CMRR	52	75	—	dB	$V_{CM} = -0.2V$ to $+2.9V$
Common-Mode Input Capacitance	C_{IN}	—	3	—	pF	—
Output Voltage Swing	V_{OUT}	—	0.2	1	mV	Output HIGH, $R_L = 100\text{ k}\Omega$, Specified as $V_{V+} - V_{OUT}$
		—	—	1		Output HIGH, $R_L = 100\text{ k}\Omega$, Specified as $V_{V+} - V_{OUT}$ $-40^\circ\text{C} \leq T_J \leq +85^\circ\text{C}$
		—	0.2	1		Output LOW, $R_L = 100\text{ k}\Omega$
		—	—	1		Output LOW, $R_L = 100\text{ k}\Omega$ $-40^\circ\text{C} \leq T_J \leq +85^\circ\text{C}$
		—	10	33		Output HIGH, $R_L = 2\text{ k}\Omega$, Specified as $V_{V+} - V_{OUT}$
		—	—	50		Output HIGH, $R_L = 2\text{ k}\Omega$, Specified as $V_{V+} - V_{OUT}$ $-40^\circ\text{C} \leq T_J \leq +85^\circ\text{C}$
		—	10	33		Output Low, $R_L = 2\text{ k}\Omega$
		—	—	50		Output Low, $R_L = 2\text{ k}\Omega$ $-40^\circ\text{C} \leq T_J \leq +85^\circ\text{C}$
Output Short-Circuit Current (Note 1)	I_{SC}	30	50	—	mA	Sourcing, $V_{OUT} = 0V$
		30	50	—		Sinking, $V_{OUT} = 2.7V$
Voltage Gain	A_{VOL}	—	400	—	V/mV	Sourcing
		—	400	—		Sinking
Supply Current	I_S	—	17	42	μA	$V_{V+} = 2.7V$, $V_{OUT} = V_{V+}/2$

Note 1: Short circuit may cause device to exceed maximum allowable power dissipation.

AC ELECTRICAL CHARACTERISTICS (2.7V)

Electrical Characteristics: Unless otherwise indicated, $V_{V+} = +2.7V$; $V_{V-} = 0V$; $V_{CM} = V_{OUT} = V_{V+}/2$; $R_L = 1\text{ M}\Omega$; $T_J = +25^\circ\text{C}$.

Parameters	Sym.	Min.	Typ.	Max.	Units	Conditions
Slew Rate	SR	—	0.015	—	V/ μs	Voltage follower, 1V step, $R_L = 100\text{ k}\Omega$ @ 1.35V, $V_{OUT} = 1V_{PP}$
Gain Bandwidth Product	GBWP	—	25	—	kHz	—

DC ELECTRICAL CHARACTERISTICS (5.0V)

Electrical Characteristics: Unless otherwise indicated, $V_{V+} = +5.0V$; $V_{V-} = 0V$; $V_{CM} = V_{OUT} = V_{V+}/2$; $R_L = 1\text{ M}\Omega$; $T_J = +25^\circ\text{C}$.

Parameters	Sym.	Min.	Typ.	Max.	Units	Conditions
Input Offset Voltage	V_{OS}	—	0.9	7	mV	—
		—	—	9	mV	$-40^\circ\text{C} \leq T_J \leq +85^\circ\text{C}$
Input Offset Voltage Temperature Drift	TCV_{OS}	—	2.0	—	$\mu\text{V}/^\circ\text{C}$	—
Input Bias Current	I_B	—	1	10	pA	—
		—	—	500		$-40^\circ\text{C} \leq T_J \leq +85^\circ\text{C}$
Input Offset Current	I_{OS}	—	0.01	0.5	pA	—
		—	—	75		$-40^\circ\text{C} \leq T_J \leq +85^\circ\text{C}$
Input Resistance	R_{IN}	—	>10	—	T Ω	—
Positive Power Supply Rejection Ratio	+PSRR	65	95	—	dB	$5V \leq V_{V+} \leq 10V$, $V_{V-} = 0V$, $V_{CM} = V_{OUT} = 2.5V$
Negative Power Supply Rejection Ratio	-PSRR	65	95	—	dB	$-5V \leq V_{V-} \leq -10V$, $V_{V+} = 0V$, $V_{CM} = V_{OUT} = -2.5V$
Common-Mode Rejection Ratio	CMRR	57	80	—	dB	$V_{CM} = -0.2V$ to $+5.2V$
Common-Mode Input Capacitance	C_{IN}	—	3	—	pF	—
Output Voltage Swing	V_{OUT}	—	0.3	1.5	mV	Output HIGH, $R_L = 100\text{ k}\Omega$, Specified as $V_{V+} - V_{OUT}$
		—	—	1.5		Output HIGH, $R_L = 100\text{ k}\Omega$, Specified as $V_{V+} - V_{OUT}$ $-40^\circ\text{C} \leq T_J \leq +85^\circ\text{C}$
		—	0.3	1.5		Output LOW, $R_L = 100\text{ k}\Omega$
		—	—	1.5		Output LOW, $R_L = 100\text{ k}\Omega$ $-40^\circ\text{C} \leq T_J \leq +85^\circ\text{C}$
		—	15	50		Output HIGH, $R_L = 2\text{ k}\Omega$, Specified as $V_{V+} - V_{OUT}$
		—	—	75		Output HIGH, $R_L = 2\text{ k}\Omega$, Specified as $V_{V+} - V_{OUT}$ $-40^\circ\text{C} \leq T_J \leq +85^\circ\text{C}$
		—	15	50		Output LOW, $R_L = 2\text{ k}\Omega$
		—	—	75		Output LOW, $R_L = 2\text{ k}\Omega$ $-40^\circ\text{C} \leq T_J \leq +85^\circ\text{C}$

MIC7111

DC ELECTRICAL CHARACTERISTICS (5.0V) (CONTINUED)

Electrical Characteristics: Unless otherwise indicated, $V_{V+} = +5.0V$; $V_{V-} = 0V$; $V_{CM} = V_{OUT} = V_{V+}/2$; $R_L = 1\text{ M}\Omega$; $T_J = +25^\circ\text{C}$.

Parameters	Sym.	Min.	Typ.	Max.	Units	Conditions
Output Short-Circuit Current (Note 1)	I_{SC}	80	100	—	mA	Sourcing, $V_{OUT} = 0V$
		80	100	—		Sinking, $V_{OUT} = 5V$
Voltage Gain	A_{VOL}	—	500	—	V/mV	Sourcing
		—	500	—		Sinking
Supply Current	I_S	—	20	50	μA	$V_{V+} = 5V, V_{OUT} = V_{V+}/2$

Note 1: Short circuit may cause device to exceed maximum allowable power dissipation.

AC ELECTRICAL CHARACTERISTICS (5.0V)

Electrical Characteristics: Unless otherwise indicated, $V_{V+} = +5.0V$; $V_{V-} = 0V$; $V_{CM} = V_{OUT} = V_{V+}/2$; $R_L = 1\text{ M}\Omega$; $T_J = +25^\circ\text{C}$.

Parameters	Sym.	Min.	Typ.	Max.	Units	Conditions
Slew Rate	SR	—	0.02	—	V/ μs	Voltage follower, 1V step, $R_L = 100\text{ k}\Omega @ 1.5V$, $V_{OUT} = 1V_{PP}$
Gain Bandwidth Product	GBWP	—	25	—	kHz	Sourcing

DC ELECTRICAL CHARACTERISTICS (10.0V)

Electrical Characteristics: Unless otherwise indicated, $V_{V+} = +10.0V$; $V_{V-} = 0V$; $V_{CM} = V_{OUT} = V_{V+}/2$; $R_L = 1\text{ M}\Omega$; $T_J = +25^\circ\text{C}$.

Parameters	Sym.	Min.	Typ.	Max.	Units	Conditions
Input Offset Voltage	V_{OS}	—	0.9	7	mV	—
		—	—	9	mV	$-40^\circ\text{C} \leq T_J \leq +85^\circ\text{C}$
Input Offset Voltage Temperature Drift	TCV_{OS}	—	2.0	—	$\mu\text{V}/^\circ\text{C}$	—
Input Bias Current	I_B	—	1	10	pA	—
		—	—	500		$-40^\circ\text{C} \leq T_J \leq +85^\circ\text{C}$
Input Offset Current	I_{OS}	—	0.01	0.5	pA	—
		—	—	75		$-40^\circ\text{C} \leq T_J \leq +85^\circ\text{C}$
Input Resistance	R_{IN}	—	>10	—	T Ω	—
Positive Power Supply Rejection Ratio	+PSRR	65	95	—	dB	$5V \leq V_{V+} \leq 10V, V_{V-} = 0V, V_{CM} = V_{OUT} = 2.5V$
Negative Power Supply Rejection Ratio	-PSRR	65	95	—	dB	$-5V \leq V_{V-} \leq -10V, V_{V+} = 0V, V_{CM} = V_{OUT} = -2.5V$
Common-Mode Rejection Ratio	CMRR	60	85	—	dB	$V_{CM} = -0.2V \text{ to } +10.2V$
Common-Mode Input Capacitance	C_{IN}	—	3	—	pF	—

DC ELECTRICAL CHARACTERISTICS (10.0V) (CONTINUED)

Electrical Characteristics: Unless otherwise indicated, $V_{V+} = +10.0V$; $V_{V-} = 0V$; $V_{CM} = V_{OUT} = V_{V+}/2$; $R_L = 1\text{ M}\Omega$; $T_J = +25^\circ\text{C}$.

Parameters	Sym.	Min.	Typ.	Max.	Units	Conditions
Output Voltage Swing	V_{OUT}	—	0.45	2.5	mV	Output HIGH, $R_L = 100\text{ k}\Omega$, Specified as $V_{V+} - V_{OUT}$
		—	—	2.5		Output HIGH, $R_L = 100\text{ k}\Omega$, Specified as $V_{V+} - V_{OUT}$ $-40^\circ\text{C} \leq T_J \leq +85^\circ\text{C}$
		—	0.45	2.5		Output LOW, $R_L = 100\text{ k}\Omega$
		—	—	2.5		Output LOW, $R_L = 100\text{ k}\Omega$ $-40^\circ\text{C} \leq T_J \leq +85^\circ\text{C}$
		—	24	80		Output HIGH, $R_L = 2\text{ k}\Omega$, Specified as $V_{V+} - V_{OUT}$
		—	—	120		Output HIGH, $R_L = 2\text{ k}\Omega$, Specified as $V_{V+} - V_{OUT}$ $-40^\circ\text{C} \leq T_J \leq +85^\circ\text{C}$
		—	24	80		Output LOW, $R_L = 2\text{ k}\Omega$
		—	—	120		Output LOW, $R_L = 2\text{ k}\Omega$ $-40^\circ\text{C} \leq T_J \leq +85^\circ\text{C}$
Output Short-Circuit Current (Note 1)	I_{SC}	100	200	—	mA	Sourcing, $V_{OUT} = 0V$
		100	200	—		Sinking, $V_{OUT} = 10V$
Voltage Gain	A_{VOL}	—	500	—	V/mV	Sourcing
		—	500	—		Sinking
Supply Current	I_S	—	25	65	μA	$V_{V+} = 10V$, $V_{OUT} = V_{V+}/2$

Note 1: Short circuit may cause device to exceed maximum allowable power dissipation.

AC ELECTRICAL CHARACTERISTICS (10.0V)

Electrical Characteristics: Unless otherwise indicated, $V_{V+} = +10.0V$; $V_{V-} = 0V$; $V_{CM} = V_{OUT} = V_{V+}/2$; $R_L = 1\text{ M}\Omega$; $T_J = +25^\circ\text{C}$.

Parameters	Sym.	Min.	Typ.	Max.	Units	Conditions
Slew Rate	SR	—	0.02	—	V/ μs	Voltage follower, 1V step, $R_L = 100\text{ k}\Omega$ @ 1.35V, $V_{OUT} = 1V_{PP}$
Gain Bandwidth Product	GBWP	—	25	—	kHz	—
Phase Margin	ϕ_M	—	50	—	$^\circ$	—
Gain Margin	G_M	—	15	—	dB	—
Input-Referred Voltage Noise	e_N	—	110	—	nV/ $\sqrt{\text{Hz}}$	$f = 1\text{ kHz}$, $V_{CM} = 1.0V$
Input-Referred Current Noise	i_N	—	0.03	—	pA/ $\sqrt{\text{Hz}}$	$f = 1\text{ kHz}$

MIC7111

TEMPERATURE SPECIFICATIONS

Parameters	Sym.	Min.	Typ.	Max.	Units	Conditions
Temperature Ranges						
Junction Operating Temperature	T_J	-40	—	+85	°C	—
Storage Temperature Range	T_A	-65	—	+150	°C	—
Lead Temperature	T_S	—	+260	—	°C	Soldering, 10s
Package Thermal Resistances						
Thermal Resistance, SOT-23-5Ld	θ_{JA}	—	252	—	°C/W	—

2.0 PIN DESCRIPTIONS

The descriptions of the pins are listed in [Table 2-1](#).

TABLE 2-1: PIN FUNCTION TABLE

Pin Number	Pin Name	Description
1	OUT	Amplifier Output.
2	V+	Positive Supply.
3	IN+	Non-inverting Input.
4	IN-	Inverting Input.
5	V-	Negative Supply.

3.0 APPLICATION INFORMATION

3.1 Input Common Mode Voltage

The MIC7111 tolerates input overdrive by at least 300 mV beyond either rail without producing phase inversion.

If the absolute maximum input voltage is exceeded, the input current should be limited to ± 5 mA maximum to prevent reducing reliability. A 10 k Ω series input resistor, used as a current limiter, will protect the input structure from voltages as large as 50V above the supply or below ground. See Figure 3-1.

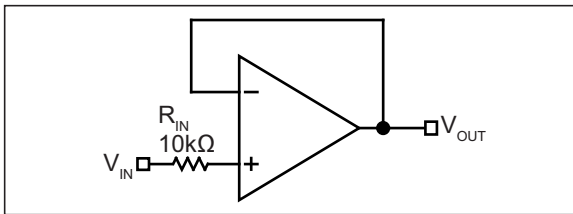


FIGURE 3-1: Input Current-Limit Protection.

3.2 Output Voltage Swing

Sink and source output resistances of the MIC7111 are equal. Maximum output voltage swing is determined by the load and the approximate output resistance. The output resistance is presented in Equation 3-1:

EQUATION 3-1:

$$R_{OUT} = \frac{V_{DROP}}{I_{LOAD}}$$

V_{DROP} is the voltage dropped within the amplifier output stage. V_{DROP} and I_{LOAD} can be determined from the V_O (output swing) portion of the appropriate electrical characteristics table. I_{LOAD} is equal to the typical output high voltage minus $V+/2$ and divided by R_{LOAD} . For example, using the DC Electrical Characteristics (5.0V) table, the typical output voltage drop using a 2 k Ω load (connected to $V+/2$) is 0.015V, which produces an I_{LOAD} of:

EQUATION 3-2:

$$\frac{2.5V - 0.015V}{2k\Omega} = 1.243mA$$

Then:

EQUATION 3-3:

$$R_{OUT} = \frac{15mV}{1.243mA} = 12.1 = 12\Omega$$

3.3 Driving Capacitive Loads

Driving a capacitive load introduces phase-lag into the output signal, and this, in turn, reduces op-amp system phase margin. The application that is least forgiving of reduced phase margin is a unity gain amplifier. The MIC7111 can typically drive a 500 pF capacitive load connected directly to the output when configured as a unity-gain amplifier.

3.4 Using Large-Value Feedback Resistors

A large-value feedback resistor (>500 k Ω) can reduce the phase margin of a system. This occurs when the feedback resistor acts in conjunction with input capacitance to create phase lag in the feedback signal. Input capacitance is usually a combination of input circuit components and other parasitic capacitance, such as amplifier input capacitance and stray printed circuit board capacitance.

Figure 3-2 illustrates a method of compensating phase lag caused by using a large-value feedback resistor. Feedback capacitor C_{FB} introduces sufficient phase lead to overcome the phase lag caused by feedback resistor R_{FB} and input capacitance C_{IN} . The value of C_{FB} is determined by first estimating C_{IN} and then applying the following formula:

EQUATION 3-4:

$$R_{IN} \times C_{IN} \leq R_{FB} \times C_{FB}$$

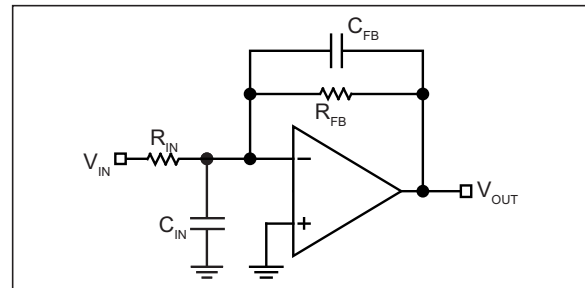


FIGURE 3-2: Canceling Feedback Phase Lag.

Because a significant percentage of C_{IN} may be caused by board layout, it is important to note that the correct value of C_{FB} may change when changing from a breadboard to the final circuit layout.

3.5 Typical Circuits

Some single-supply, rail-to-rail applications for which the MIC7111 is well suited are shown in the circuit diagrams of Figure 3-3 through Figure 3-8.

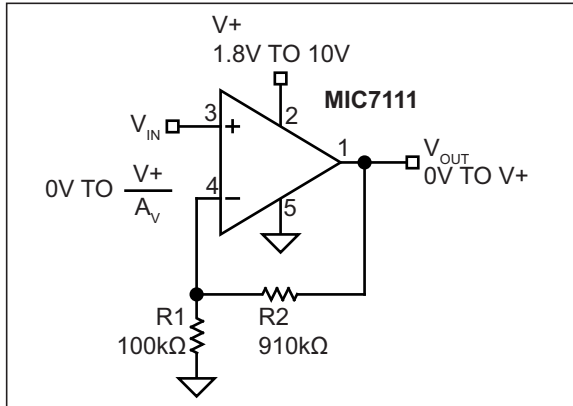


FIGURE 3-3: Noninverting Amplifier.

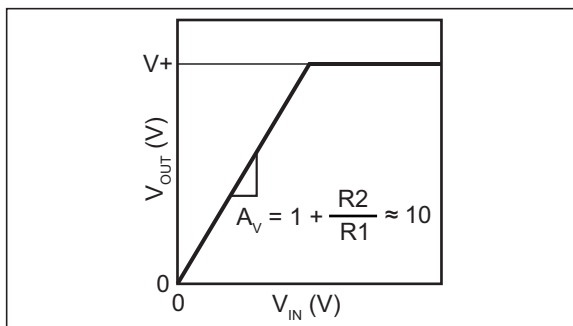


FIGURE 3-4: Noninverting Amplifier Behavior.

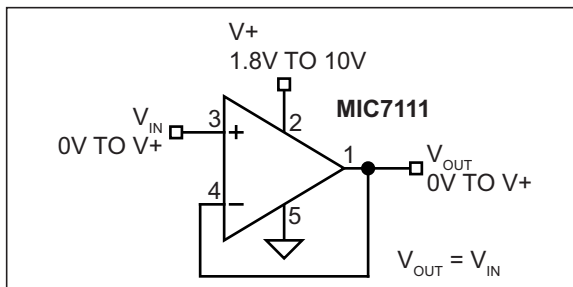


FIGURE 3-5: Voltage Follower/Buffer.

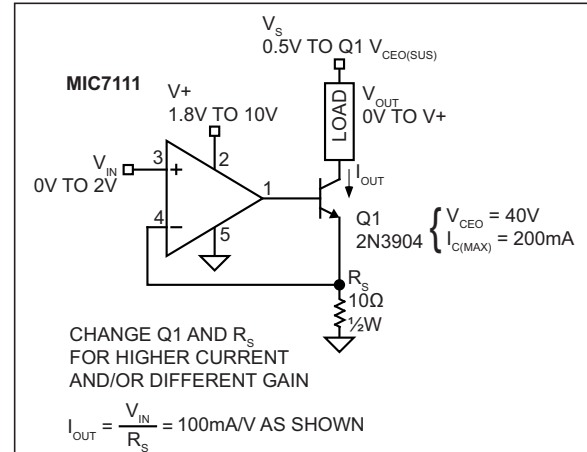


FIGURE 3-6: Voltage-Controlled Current Sink.

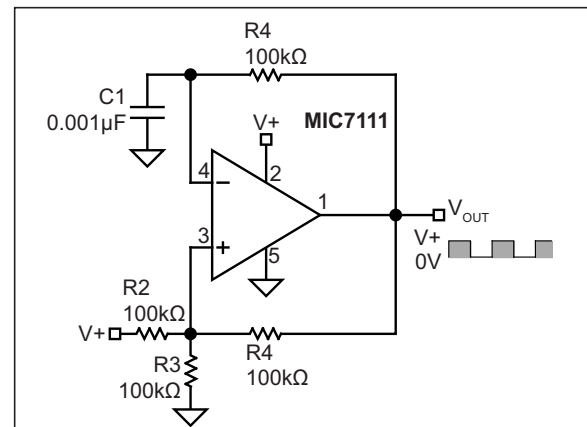


FIGURE 3-7: Square Wave Oscillator.

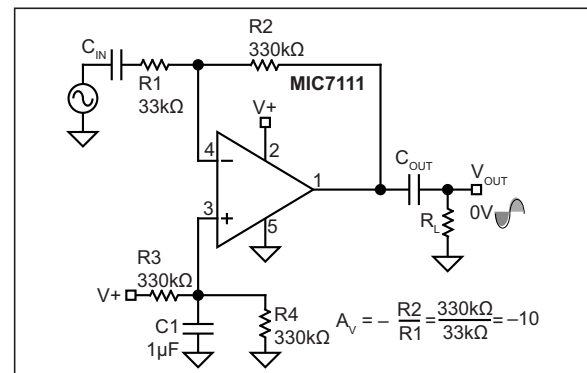

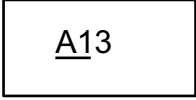




FIGURE 3-8: AC-Coupled Inverting Amplifier.

4.0 PACKAGING INFORMATION

4.1 Package Marking Information

5-Lead SOT-23* (Front)	Example
	
5-Lead SOT-23* (Back)	Example
	

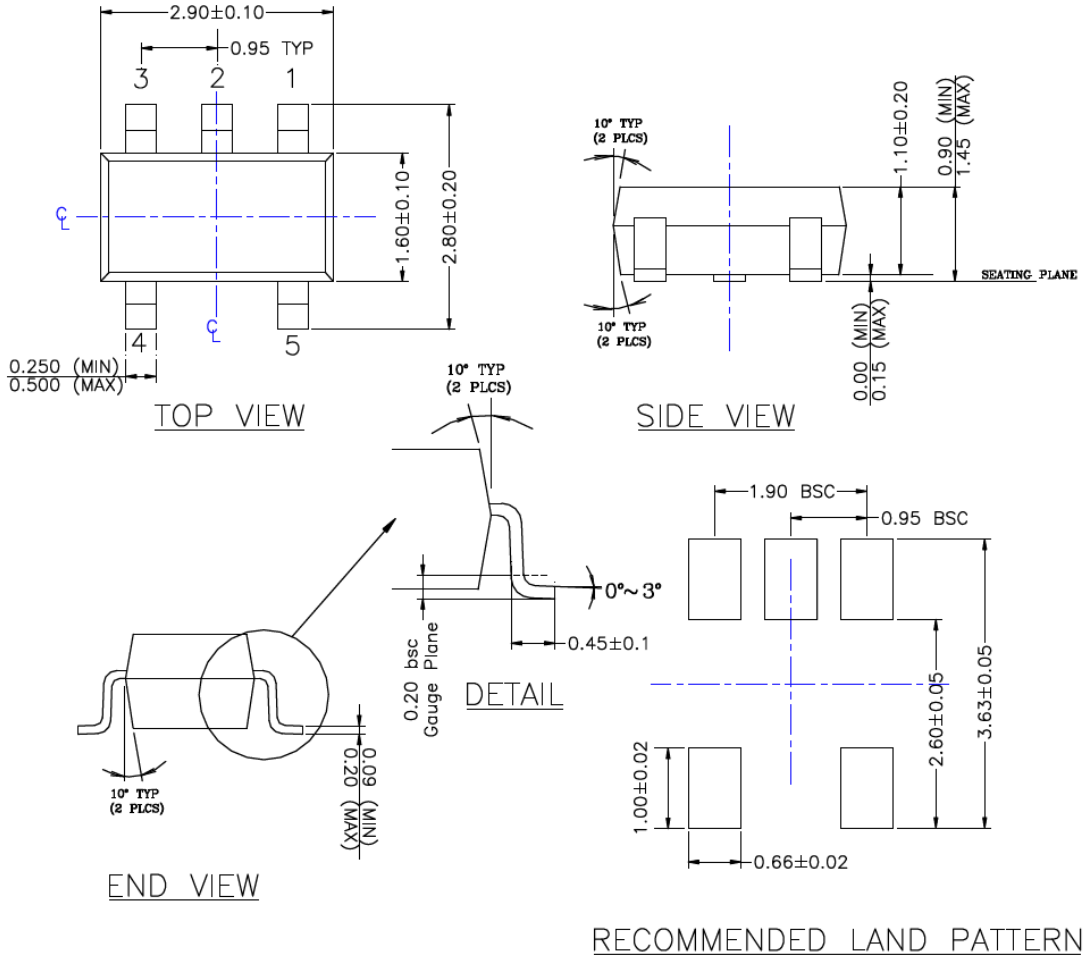
Legend:	XX...X	Product code or customer-specific information
	Y	Year code (last digit of calendar year)
	YY	Year code (last 2 digits of calendar year)
	WW	Week code (week of January 1 is week '01')
	NNN	Alphanumeric traceability code
	(e3)	Pb-free JEDEC® designator for Matte Tin (Sn)
	*	This package is Pb-free. The Pb-free JEDEC designator ((e3)) can be found on the outer packaging for this package.
	•, ▲, ▼	Pin one index is identified by a dot, delta up, or delta down (triangle mark).
Note:	In the event the full Microchip part number cannot be marked on one line, it will be carried over to the next line, thus limiting the number of available characters for customer-specific information. Package may or may not include the corporate logo.	
	Underbar (¯) and/or Overbar (¯) symbol may not be to scale.	

5-Lead SOT23-5 Package Outline & Recommended Land Pattern

TITLE

5 LEAD SOT23 PACKAGE OUTLINE & RECOMMENDED LAND PATTERN

DRAWING #	SOT23-5LD-PL-1	UNIT	MM
------------------	----------------	-------------	----



NOTE:

1. PACKAGE OUTLINE EXCLUSIVE OF MOLD FLASH & BURR.
2. PACKAGE OUTLINE INCLUSIVE OF SOLER PLATING.
3. DIMENSION AND TOLERANCE PER ANSI Y14.5M, 1982.
4. FOOT LENGTH MEASUREMENT BASED ON GAUGE PLANE METHOD.
5. DIE FACES UP FOR MOLD, AND FACES DOWN FOR TRIM/FORM.
6. ALL DIMENSIONS ARE IN MILLIMETERS.

Note: For the most current package drawings, please see the Microchip Packaging Specification located at <http://www.microchip.com/packaging>.

MIC7111

NOTES:

APPENDIX A: REVISION HISTORY

Revision A (March 2020)

- Converted Micrel document MIC7111 to Microchip data sheet template DS20006316A.
- Minor grammatical text changes throughout.

MIC7111

NOTES:

PRODUCT IDENTIFICATION SYSTEM

To order or obtain information, e.g., on pricing or delivery, contact your local Microchip representative or sales office.

<u>PART NO.</u>	<u>X</u>	<u>XX</u>	<u>-XX</u>	Examples:
Device	Temperature Range	Package	Media Type	
Device:	MIC7111:	1.8V to 11V, 15 μ A, 25 kHz GBW, Rail-to-Rail Input and Output Operational Amplifier		a) MIC7111YM5-TR: MIC7111, -40°C to +85°C Temperature Range, 5-Lead SOT-23, 3,000/Reel
Temperature Range:	Y =	-40°C to +85°C (Industrial)		Note 1: Tape and Reel identifier only appears in the catalog part number description. This identifier is used for ordering purposes and is not printed on the device package. Check with your Microchip Sales Office for package availability with the Tape and Reel option.
Packages:	M5 =	5-Lead SOT-23		
Media Type:	TR =	3,000/Reel		

MIC7111

NOTES:

Note the following details of the code protection feature on Microchip devices:

- Microchip products meet the specification contained in their particular Microchip Data Sheet.
- Microchip believes that its family of products is one of the most secure families of its kind on the market today, when used in the intended manner and under normal conditions.
- There are dishonest and possibly illegal methods used to breach the code protection feature. All of these methods, to our knowledge, require using the Microchip products in a manner outside the operating specifications contained in Microchip's Data Sheets. Most likely, the person doing so is engaged in theft of intellectual property.
- Microchip is willing to work with the customer who is concerned about the integrity of their code.
- Neither Microchip nor any other semiconductor manufacturer can guarantee the security of their code. Code protection does not mean that we are guaranteeing the product as “unbreakable.”

Code protection is constantly evolving. We at Microchip are committed to continuously improving the code protection features of our products. Attempts to break Microchip's code protection feature may be a violation of the Digital Millennium Copyright Act. If such acts allow unauthorized access to your software or other copyrighted work, you may have a right to sue for relief under that Act.

Information contained in this publication regarding device applications and the like is provided only for your convenience and may be superseded by updates. It is your responsibility to ensure that your application meets with your specifications. MICROCHIP MAKES NO REPRESENTATIONS OR WARRANTIES OF ANY KIND WHETHER EXPRESS OR IMPLIED, WRITTEN OR ORAL, STATUTORY OR OTHERWISE, RELATED TO THE INFORMATION, INCLUDING BUT NOT LIMITED TO ITS CONDITION, QUALITY, PERFORMANCE, MERCHANTABILITY OR FITNESS FOR PURPOSE. Microchip disclaims all liability arising from this information and its use. Use of Microchip devices in life support and/or safety applications is entirely at the buyer's risk, and the buyer agrees to defend, indemnify and hold harmless Microchip from any and all damages, claims, suits, or expenses resulting from such use. No licenses are conveyed, implicitly or otherwise, under any Microchip intellectual property rights unless otherwise stated.

Trademarks

The Microchip name and logo, the Microchip logo, Adaptec, AnyRate, AVR, AVR logo, AVR Freaks, BesTime, BitCloud, chipKIT, chipKIT logo, CryptoMemory, CryptoRF, dsPIC, FlashFlex, flexPWR, HELDO, IGLOO, JukeBlox, KeeLoq, Klear, LANCheck, LinkMD, maXStylus, maXTouch, MediaLB, megaAVR, Microsemi, Microsemi logo, MOST, MOST logo, MPLAB, OptoLyzer, PackeTime, PIC, picoPower, PICSTART, PIC32 logo, PolarFire, Prochip Designer, QTouch, SAM-BA, SenGenuity, SpyNIC, SST, SST Logo, SuperFlash, Symmetricom, SyncServer, Tachyon, TempTrackr, TimeSource, tinyAVR, UNI/O, Vectron, and XMEGA are registered trademarks of Microchip Technology Incorporated in the U.S.A. and other countries.

APT, ClockWorks, The Embedded Control Solutions Company, EtherSynch, FlashTec, Hyper Speed Control, HyperLight Load, IntelliMOS, Libero, motorBench, mTouch, Powermite 3, Precision Edge, ProASIC, ProASIC Plus, ProASIC Plus logo, Quiet-Wire, SmartFusion, SyncWorld, Temux, TimeCesium, TimeHub, TimePictra, TimeProvider, Vite, WinPath, and ZL are registered trademarks of Microchip Technology Incorporated in the U.S.A.

Adjacent Key Suppression, AKS, Analog-for-the-Digital Age, Any Capacitor, AnyIn, AnyOut, BlueSky, BodyCom, CodeGuard, CryptoAuthentication, CryptoAutomotive, CryptoCompanion, CryptoController, dsPICDEM, dsPICDEM.net, Dynamic Average Matching, DAM, ECAN, EtherGREEN, In-Circuit Serial Programming, ICSP, INICnet, Inter-Chip Connectivity, JitterBlocker, KlearNet, KlearNet logo, memBrain, Mindi, MiWi, MPASM, MPF, MPLAB Certified logo, MPLIB, MPLINK, MultiTRAK, NetDetach, Omniscient Code Generation, PICDEM, PICDEM.net, PICKit, PICtail, PowerSmart, PureSilicon, QMatrix, REAL ICE, Ripple Blocker, SAM-ICE, Serial Quad I/O, SMART-I.S., SQI, SuperSwitcher, SuperSwitcher II, Total Endurance, TSHARC, USBCheck, VariSense, ViewSpan, WiperLock, Wireless DNA, and ZENA are trademarks of Microchip Technology Incorporated in the U.S.A. and other countries.

SQTP is a service mark of Microchip Technology Incorporated in the U.S.A.

The Adaptec logo, Frequency on Demand, Silicon Storage Technology, and Symmcom are registered trademarks of Microchip Technology Inc. in other countries.

GestIC is a registered trademark of Microchip Technology Germany II GmbH & Co. KG, a subsidiary of Microchip Technology Inc., in other countries.

All other trademarks mentioned herein are property of their respective companies.

© 2020, Microchip Technology Incorporated, All Rights Reserved.

ISBN: 978-1-5224-5737-4

For information regarding Microchip's Quality Management Systems, please visit www.microchip.com/quality.



MICROCHIP

Worldwide Sales and Service

AMERICAS

Corporate Office
2355 West Chandler Blvd.
Chandler, AZ 85224-6199
Tel: 480-792-7200
Fax: 480-792-7277
Technical Support:
<http://www.microchip.com/support>
Web Address:
www.microchip.com

Atlanta

Duluth, GA
Tel: 678-957-9614
Fax: 678-957-1455

Austin, TX

Tel: 512-257-3370

Boston

Westborough, MA
Tel: 774-760-0087
Fax: 774-760-0088

Chicago

Itasca, IL
Tel: 630-285-0071
Fax: 630-285-0075

Dallas

Addison, TX
Tel: 972-818-7423
Fax: 972-818-2924

Detroit

Novi, MI
Tel: 248-848-4000

Houston, TX

Tel: 281-894-5983

Indianapolis

Noblesville, IN
Tel: 317-773-8323
Fax: 317-773-5453
Tel: 317-536-2380

Los Angeles

Mission Viejo, CA
Tel: 949-462-9523
Fax: 949-462-9608
Tel: 951-273-7800

Raleigh, NC

Tel: 919-844-7510

New York, NY

Tel: 631-435-6000

San Jose, CA

Tel: 408-735-9110
Tel: 408-436-4270

Canada - Toronto

Tel: 905-695-1980
Fax: 905-695-2078

ASIA/PACIFIC

Australia - Sydney
Tel: 61-2-9868-6733

China - Beijing
Tel: 86-10-8569-7000

China - Chengdu
Tel: 86-28-8665-5511

China - Chongqing
Tel: 86-23-8980-9588

China - Dongguan
Tel: 86-769-8702-9880

China - Guangzhou
Tel: 86-20-8755-8029

China - Hangzhou
Tel: 86-571-8792-8115

China - Hong Kong SAR
Tel: 852-2943-5100

China - Nanjing
Tel: 86-25-8473-2460

China - Qingdao
Tel: 86-532-8502-7355

China - Shanghai
Tel: 86-21-3326-8000

China - Shenyang
Tel: 86-24-2334-2829

China - Shenzhen
Tel: 86-755-8864-2200

China - Suzhou
Tel: 86-186-6233-1526

China - Wuhan
Tel: 86-27-5980-5300

China - Xian
Tel: 86-29-8833-7252

China - Xiamen
Tel: 86-592-2388138

China - Zhuhai
Tel: 86-756-3210040

ASIA/PACIFIC

India - Bangalore
Tel: 91-80-3090-4444

India - New Delhi
Tel: 91-11-4160-8631

India - Pune
Tel: 91-20-4121-0141

Japan - Osaka
Tel: 81-6-6152-7160

Japan - Tokyo
Tel: 81-3-6880-3770

Korea - Daegu
Tel: 82-53-744-4301

Korea - Seoul
Tel: 82-2-554-7200

Malaysia - Kuala Lumpur
Tel: 60-3-7651-7906

Malaysia - Penang
Tel: 60-4-227-8870

Philippines - Manila
Tel: 63-2-634-9065

Singapore
Tel: 65-6334-8870

Taiwan - Hsin Chu
Tel: 886-3-577-8366

Taiwan - Kaohsiung
Tel: 886-7-213-7830

Taiwan - Taipei
Tel: 886-2-2508-8600

Thailand - Bangkok
Tel: 66-2-694-1351

Vietnam - Ho Chi Minh
Tel: 84-28-5448-2100

EUROPE

Austria - Wels
Tel: 43-7242-2244-39
Fax: 43-7242-2244-393

Denmark - Copenhagen
Tel: 45-4485-5910
Fax: 45-4485-2829

Finland - Espoo
Tel: 358-9-4520-820

France - Paris
Tel: 33-1-69-53-63-20
Fax: 33-1-69-30-90-79

Germany - Garching
Tel: 49-8931-9700

Germany - Haan
Tel: 49-2129-3766400

Germany - Heilbronn
Tel: 49-7131-72400

Germany - Karlsruhe
Tel: 49-721-625370

Germany - Munich
Tel: 49-89-627-144-0
Fax: 49-89-627-144-44

Germany - Rosenheim
Tel: 49-8031-354-560

Israel - Ra'anana
Tel: 972-9-744-7705

Italy - Milan
Tel: 39-0331-742611
Fax: 39-0331-466781

Italy - Padova
Tel: 39-049-7625286

Netherlands - Drunen
Tel: 31-416-690399
Fax: 31-416-690340

Norway - Trondheim
Tel: 47-7288-4388

Poland - Warsaw
Tel: 48-22-3325737

Romania - Bucharest
Tel: 40-21-407-87-50

Spain - Madrid
Tel: 34-91-708-08-90
Fax: 34-91-708-08-91

Sweden - Gothenberg
Tel: 46-31-704-60-40

Sweden - Stockholm
Tel: 46-8-5090-4654

UK - Wokingham
Tel: 44-118-921-5800
Fax: 44-118-921-5820