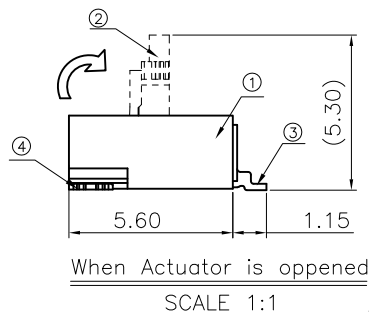
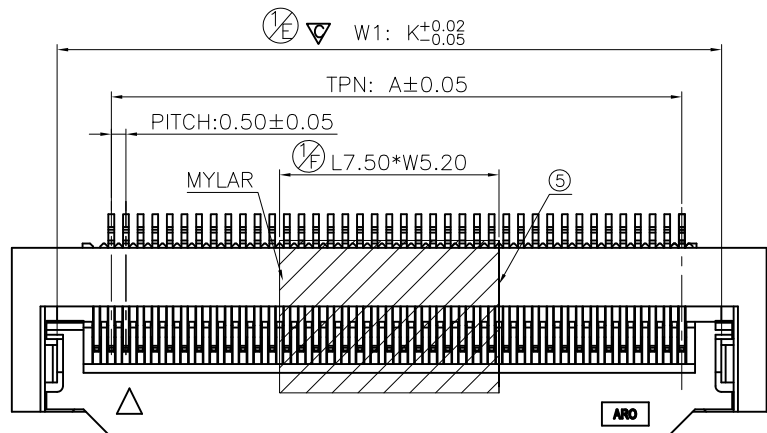


This document is the property of Amphenol Aorora Corporation and is delivered on the express condition that it is not to be disclosed, reproduced or used, in whole or in part, for manufacture or sale by anyone other than Amphenol Aorora Corporation without its prior consent, & that no right is granted to disclose or to use any information in this document.

REV.	ECR/ECN No.	DESCRIPTION	DRAWN/DATE	CHECKED/DATE	APPROVED/DATE
G	/	客户需求, 新增颜色-黑色	May 2016-11-12	Rain 2016-11-12	Hongkui.Liu 2016-11-12
H	/	改善皮线保持力, 端子头部形状变更	May 2016-04-13	Rain 2016-04-13	Hongkui.Liu 2016-04-13
I	/	客户要求料号升级	May 2016-05-13	Rain 2016-05-13	Hongkui.Liu 2016-05-13



**SPECIFICATION**

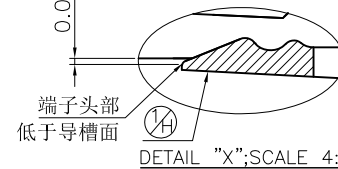
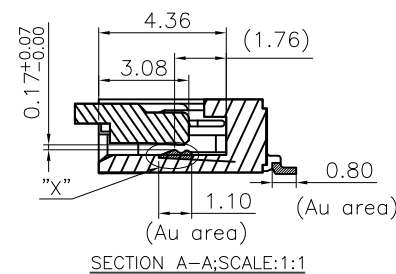
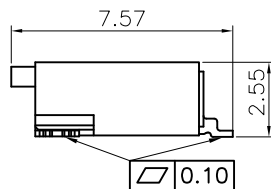
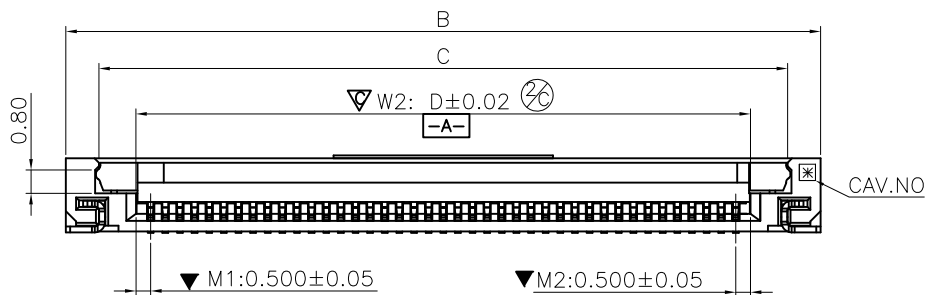
- CONTACT RESISTANCE : 30mΩ MAX.;
- DIELECTRIC WITHSTANDING VOLTAGE; 500V AC R.M.S. FOR 1 MINUTE;
- INSULATION RESISTANCE : 500MΩ MIN;
- "▽" IS IMPORTANT DIMENSION;
- "▽" NOTATION FOR CPK AND X-R TEST SIZE
- ALL MATERIAL MUST BE COMPLY WITH SS-00259 OR RoHS.
- PART NO.:

F31L-1\*7\*1-110\*\*(WITH MYLAR)  
F31L-1\*7\*1-110\*\*-E\*10(升级料号)

1:WITH MYLAR  
2:WITHOUT MYLAR  
NO. OF POSITIONS

1A:LCP Natural  
1B:LCP Black

7H:PHOSPHOR BRONZE  
0.05um MIN Au(Au Area)  
7A:PHOSPHOR BRONZE  
MATTER TIN

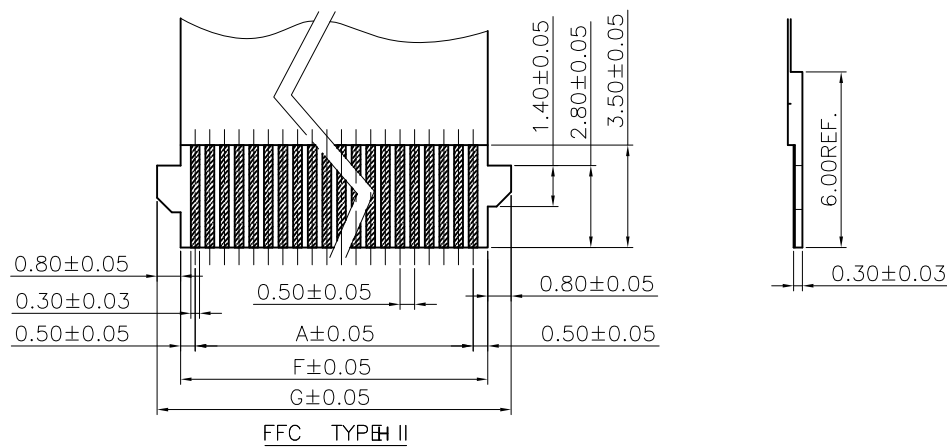
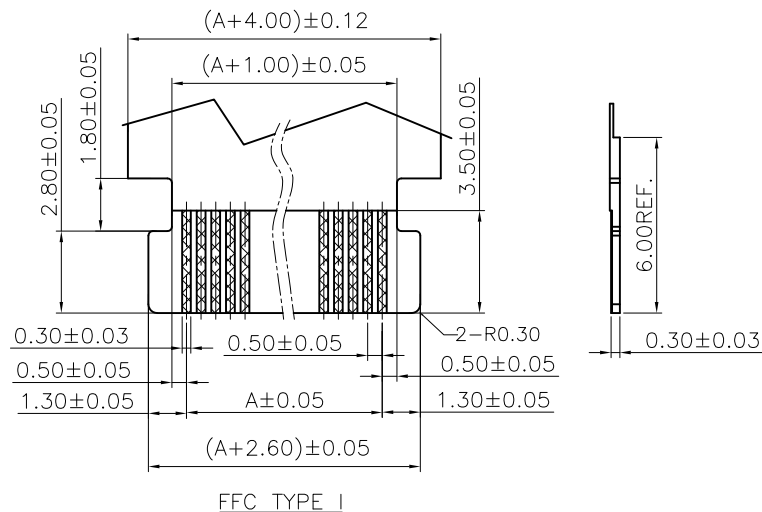


NO.	COMPONENTS	MATERIALS	FINISH/COLOR	SPECIFICATION	QTY.
1	HOUSING	Liquid crystal polymer	Natural or Black(UL94V-0);		1
2	ACTUATOR	Polyamide 9T	black(UL94V-0);		1
3	CONTACT	Phosphor Bronze T=0.20mm	UNDER PLATING:1~3um Ni SURFACE SELECT PLATING:SEE PART NO.		N
4	ANCHOR-PLATE	Brass T=0.20mm	2~4um Tin PLATING 1~3um Ni UNDERPLATING		2
5	MYLAR	T=0.10mm THERMOSTABLE	YELLOW		1

UNLESS OTHERWISE SPECIFIED TOLERANCES				ANGLE OF PROJECTION		Amphenol AORORA	
X.	±0.50	X. *	± 1'			Amphenol Aorora Technology (Huizhou) Co.,Ltd TITLE: Assembly Drawing For 0.5mm pitch Front side filp, with lock,H2.55mm(4~40PIN)	
X.X	±0.25	X.X *	± 0.5'				
X.XX	±0.15	X.XX *	± 0.5'	DOC TYPE: Customer Drw		SIZE: A4	DWG NO. A-S0099
X.XXX	±0.10	X.XXX *	± 1'	DRAWN: May 2016-05-15	DATE: May 2016-05-15		
LINEAR DIMS		ANGLES DIMS		DESIGN: May 2016-05-15	DATE: May 2016-05-15	SCALE: 1:1	
P/N:	F31L-1*7*1-110** F31L-1*7*1-110**-E*10			CHECKED: Rain 2016-05-15	DATE: May 2016-05-15	SHEET 1 OF 2	
MATERIAL	SEE NOTES			APPROVED: Hongkui.Liu 2016-05-15	DATE: May 2016-05-15		
FINISHED	SEE NOTES						

This document is the property of Amphenol Aorora Corporation and is delivered on the express condition that it is not to be disclosed, reproduced or used, in whole or in part, for manufacture or sale by anyone other than Amphenol Aorora Corporation without its prior consent, & that no right is granted to disclose or to use any information in this document.

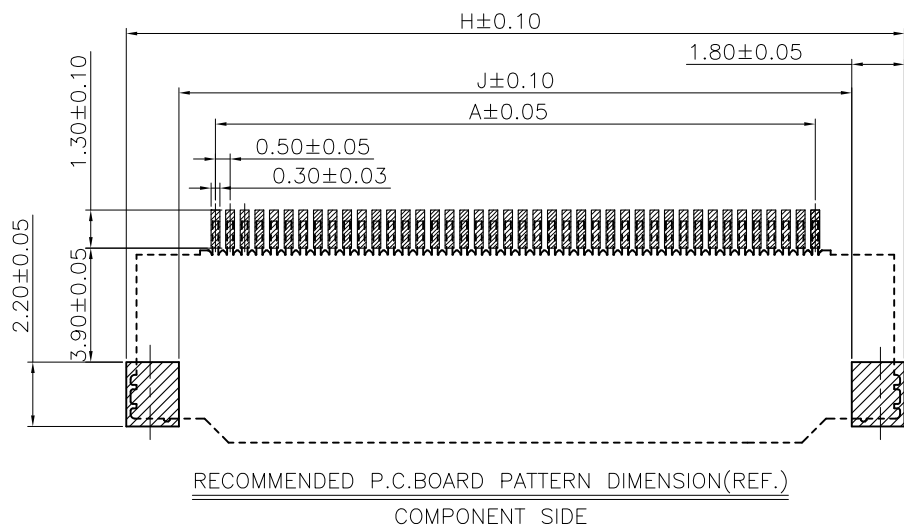
1. FFC PATTERN DIMENSION



DIMENSION LIST:

NO.OF POS	A	B	C	D	F	G	J	K	NO.OF POS	A	B	C	D	F	G	H	J	K	
4	1.5	7.3	5.04	2.5	2.5	4.1	7.6	3.5	4.22	23	11.0	16.8	14.54	12.0	12.0	13.6	17.1	13.5	13.72
5	2.0	7.8	5.54	3.0	3.0	4.6	8.1	4.0	4.72	24	11.5	17.3	15.04	12.5	12.5	14.1	17.6	14.0	14.22
6	2.5	8.3	6.04	3.5	3.5	5.1	8.6	4.5	5.22	25	12.0	17.8	15.54	13.0	13.0	14.6	18.1	14.5	14.72
7	3.0	8.8	6.54	4.0	4.0	5.6	9.1	5.5	5.72	26	12.5	18.3	16.04	13.5	13.5	15.1	18.6	15.0	15.22
8	3.5	9.3	7.04	4.5	4.5	6.1	9.6	6.0	6.22	27	13.0	18.8	16.54	14.0	14.0	15.6	19.1	15.5	15.72
9	4.0	9.8	7.54	5.0	5.0	6.6	10.1	6.5	6.72	28	13.5	19.3	17.04	14.5	14.5	16.1	19.6	16.0	16.22
10	4.5	10.3	8.04	5.5	5.5	7.1	10.6	7.0	7.22	29	14.0	19.8	17.54	15.0	15.0	16.6	20.1	16.5	16.72
11	5.0	10.8	8.54	6.0	6.0	7.6	11.1	7.5	7.72	30	14.5	20.3	18.04	15.5	15.5	17.1	20.6	17.0	17.22
12	5.5	11.3	9.04	6.5	6.5	8.1	11.6	8.0	8.22	31	15.0	20.8	18.54	16.0	16.0	17.6	21.1	17.5	17.72
13	6.0	11.8	9.54	7.0	7.0	8.6	12.1	8.5	8.72	32	15.5	21.3	19.04	16.5	16.5	18.1	21.6	18.0	18.22
14	6.5	12.3	10.04	7.5	7.5	9.1	12.6	9.0	9.22	33	16.0	21.8	19.54	17.0	17.0	18.6	22.1	18.5	18.72
15	7.0	12.8	10.54	8.0	8.0	9.6	13.1	9.5	9.72	34	16.5	22.3	20.04	17.5	17.5	19.1	22.6	19.0	19.22
16	7.5	13.3	11.04	8.5	8.5	10.1	13.6	10.0	10.22	35	17.0	22.8	20.54	18.0	18.0	19.6	23.1	19.5	19.72
17	8.0	13.8	11.54	9.0	9.0	10.6	14.1	10.5	10.72	36	17.5	23.3	21.04	18.5	18.5	20.1	23.6	20.0	20.22
18	8.5	14.3	12.04	9.5	9.5	11.1	14.6	11.0	11.22	37	18.0	23.8	21.54	19.0	19.0	20.6	24.1	20.5	20.72
19	9.0	14.8	12.54	10.0	10.0	11.6	15.1	11.5	11.72	38	18.5	24.3	22.04	19.5	19.5	21.1	24.6	21.0	21.22
20	9.5	15.3	13.04	10.5	10.5	12.1	15.6	12.0	12.22	39	19.0	24.8	22.54	20.0	20.0	21.6	25.1	21.5	21.72
21	10.0	15.8	13.54	11.0	11.0	12.6	16.1	12.5	12.72	40	19.5	25.3	23.04	20.5	20.5	22.1	25.6	22.0	22.22
22	10.5	16.3	14.04	11.5	11.5	13.1	16.6	13.0	13.22										

2. P.C.B LAYOUT, TOL: ±0.05



UNLESS OTHERWISE SPECIFIED TOLERANCES				ANGLE OF PROJECTION		Amphenol AORORA	
X.	±0.50	X. *	± 1'			Amphenol Aorora Technology (Huizhou) Co.,Ltd	
X.X	±0.25	X.X *	± 0.5'				
X.XX	±0.15	X.XX *	± 0.5'			TITLE: Assembly Drawing For 0.5mm pitch Front side filp, with lock,H2.55mm(4~40PIN)	
X.XXX	±0.10	X.XXX *	± 1'				
LINEAR DIMS		ANGLES DIMS		DOC TYPE	Customer Drw		
P/N: F31L-1*7*1-110** F31L-1*7*1-110**-E*10				DRAWN DATE	May 2016-05-15		
MATERIAL		SEE NOTES		DESIGN DATE	May 2016-05-15		
FINISHED		SEE NOTES		CHECKED DATE	Rain 2016-05-15		
				APPROVED DATE	Hongkui.Liu 2016-05-15		
				SCALE	1:1		UNIT : mm
				SHEET		2 OF 2	
				DWG NO.		A-S0099	
				REV.		I	