



Product Change Notification



Product Group: DIODES / February 3, 2016 / PCN-DD-003-2016 Rev 0

Datasheet correction for product outline in Alloy DO8 product family

DESCRIPTION OF CHANGE:

Datasheet product outline correction for Alloy DO8 product family.

CLASSIFICATION OF CHANGE:

Form Fit Function (Datasheet correction)

REASON FOR CHANGE:

Correction of datasheet

EXPECTED INFLUENCE ON QUALITY/RELIABILITY/PERFORMANCE:

This is only a data sheet correction and not a manufacturing change. There will be no effect on product performance.

PRODUCT CATEGORY: Diodes

PART NUMBERS/SERIES/FAMILIES AFFECTED:

VS-150K10A	VS-150K60A	VS-150KR60A	VS-45LR10
VS-150K20A	VS-150KR10A	VS-45L10	VS-45LR20
VS-150K30A	VS-150KR20A	VS-45L20	VS-45LR40
VS-150K40A	VS-150KR30A	VS-45L40	VS-45LR60
VS-150K40AM	VS-150KR40A	VS-45L60	

See FIG 1, TABLE 1 for details.

VISHAY BRAND(s): Vishay Semiconductors

TIME SCHEDULE: NA

SAMPLE AVAILABILITY: NA

PRODUCT IDENTIFICATION: NA

QUALIFICATION DATA: NA

Notification is being made for informational purposes only and there is no approval required

ISSUED BY:

Fabio Modaro, Product Marketing Manager
E-mail: Fabio.Modaro@Vishay.com

For further information, please contact your regional Vishay office.

CONTACT INFORMATION:

The Americas

Vishay Semiconductors.
150 Motor Parkway, Suite, 101E
Hauppauge, NY 11788 USA
Phone: 631 300 3816
Fax: 631 300 3843
Diodes-Americas@vishay.com

Europe

Vishay Semiconductors
Theresienstrasse 2
D-74072 Heilbronn, Germany
Phone: + 49 7131 67 3364 (3365)
Fax: + 49 7131 67 2938
Diodes-Europe@vishay.com

Asia

Vishay Semiconductors
15D, Sun Tong Infoport
55 Huai Hai West Road,
Shanghai, China
Phone: + 86 138 1787 2112
Fax: + 86 21 5258 7979
Diodes-Asia@vishay.com

FIG 1

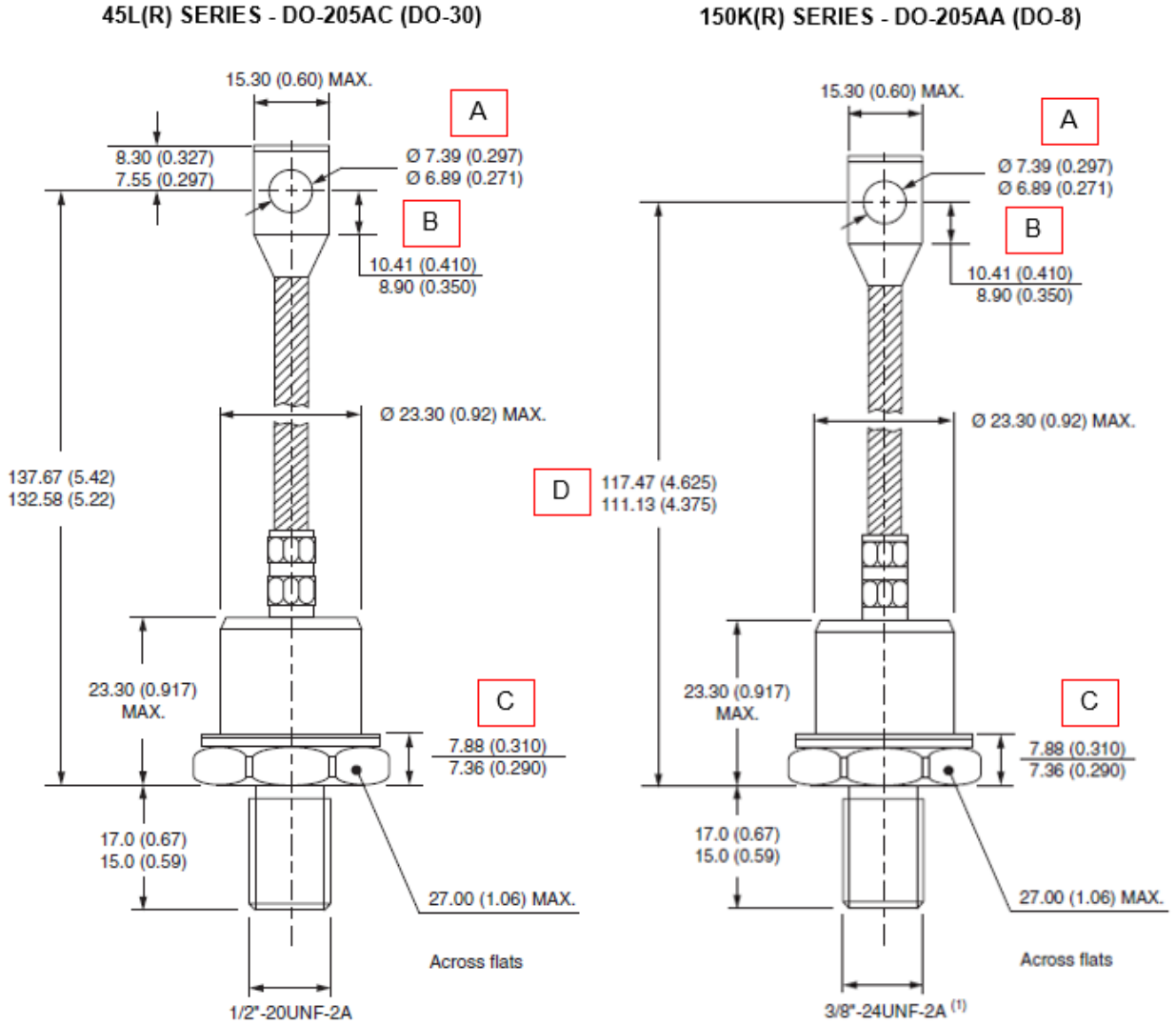


TABLE 1

DIMENSION REFERENCE	FROM millimeters (inches)		TO millimeters (inches)	
A	6.89 (0.271)	7.39 (0.297)	6.50 (0.255)	7.39 (0.297)
B	8.90 (0.350)	10.41 (0.410)	11.70 (0.460)	17.30 (0.681)
C	7.36 (0.290)	7.88 (0.310)	7.88 (0.310)	8.48 (0.333)
D	111.13 (4.375)	117.47 (4.625)	111.13 (4.375)	124.00 (4.881)

