

## Part Change Notice IL-G Dimensional Tolerance

JAE has modified the dimensional tolerance of the pin header from the IL-G series.

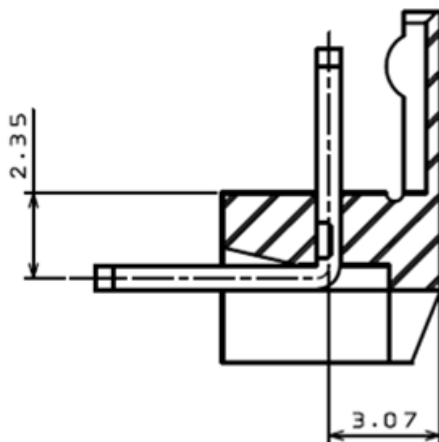
### 1. IL-G Angled Pin Header Change (from SM-5344):

Tolerance change in 2 locations.

Current  $\pm 0.1$

Change  $\pm 0.2$

\*Associated part numbers and drawing numbers reflected below.



SECT. A-A

公差 (GENERAL TOLERANCE)		角度 (ANGLES)	
寸法 (DIMENSION)			
.	$\pm 0.8$	X°	$\pm$
.X	$\pm 0.4$	X°X'	$\pm$ /
.XX	$\pm 0.1$		
.XXX	$\pm$		

### Other:

Please contact your JAE representative.

### Associated Part and Drawing Numbers:

Part Number	Drawing Numbers	Revision Number
IL-G-2P-S3L2-SA	SJ019574	5⇒6
IL-G-3P-S3L2-SA		
IL-G-4P-S3L2-SA	SJ019575	4⇒5
IL-G-5P-S3L2-SA		
IL-G-6P-S3L2-SA		

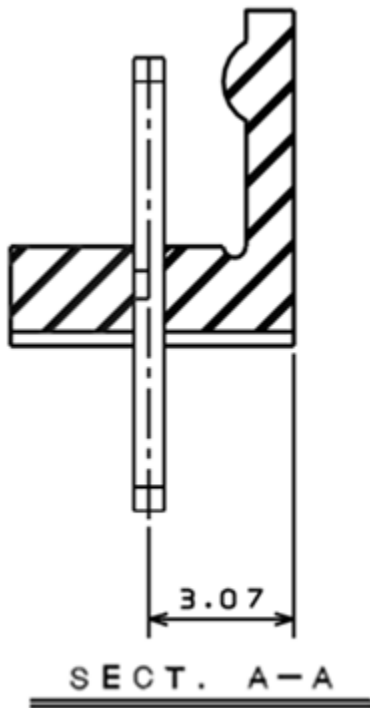
Part Number	Drawing Numbers	Revision Number
IL-G-7P-S3L2-SA	SJ019576	4⇒5
IL-G-8P-S3L2-SA		
IL-G-9P-S3L2-SA		
IL-G-10P-S3L2-SA		
IL-G-11P-S3L2-SA		
IL-G-12P-S3L2-SA		
IL-G-13P-S3L2-SA	SJ019590	5⇒6
IL-G-14P-S3L2-SA		
IL-G-15P-S3L2-SA		
IL-G-2P-S3L2-SA-1	SJ032391	3⇒4
IL-G-3P-S3L2-SA-1		
IL-G-4P-S3L2-SA-1	SJ032392	2⇒3
IL-G-5P-S3L2-SA-1		
IL-G-6P-S3L2-SA-1		
IL-G-7P-S3L2-SA-1	SJ032393	3⇒4
IL-G-8P-S3L2-SA-1		
IL-G-9P-S3L2-SA-1		
IL-G-10P-S3L2-SA-1		
IL-G-11P-S3L2-SA-1		
IL-G-12P-S3L2-SA-1		
IL-G-13P-S3L2-SA-1	SJ032394	2⇒3
IL-G-14P-S3L2-SA-1		
IL-G-15P-S3L2-SA-1		

**2. IL-G Straight Pin Header Change (from SM-5343-2):**

Current ±0.1

Change ±0.2

\*Associated part numbers and drawing numbers reflected below.



一般公差 (GENERAL TOLERANCE)	
寸法 (DIMENSION)	角度 (ANGLES)
. ± 0.8	X° ±
.X ± 0.4	X°X' ±
.XX ± 0.1	
.XXX ±	

**Associated Part and Drawing Numbers:**

Part Numbers	Drawing Numbers	Revision Number
IL-G-2P-S3T -SA	SJ019571	5⇒6
IL-G-3P-S3T -SA		
IL-G-4P-S3T -SA	SJ019572	3⇒4
IL-G-5P-S3T -SA		
IL-G-6P-S3T -SA		
IL-G-7P-S3T -SA	SJ019573	3⇒4
IL-G-8P-S3T -SA		
IL-G-9P-S3T -SA		
IL-G-10P-S3 2-SA		
IL-G-11P-S3 2-SA		
IL-G-12P-S3 2-SA	SJ019589	4⇒5
IL-G-13P-S3 2-SA		
IL-G-14P-S3 2-SA		
IL-G-15P-S3 2-SA	SJ032384	3⇒4
IL-G-2P-S3T -SA-1		
IL-G-3P-S3T -SA-1	SJ032385	2⇒3
IL-G-4P-S3T -SA-1		
IL-G-5P-S3T -SA-1		

Part Numbers	Drawing Numbers	Revision Number
IL-G-7P-S3T -SA-1	SJ032386	2⇒3
IL-G-8P-S3T -SA-1		
IL-G-9P-S3T -SA-1		
IL-G-10P-S3 2-SA-1		
IL-G-11P-S3 2-SA-1		
IL-G-12P-S3 2-SA-1		
IL-G-13P-S3 2-SA-1	SJ032387	2⇒3
IL-G-14P-S3 2-SA-1		
IL-G-15P-S3 2-SA-1		

If you have any questions regarding this matter, please contact your JAE account manager.

Thank you for your cooperation.

