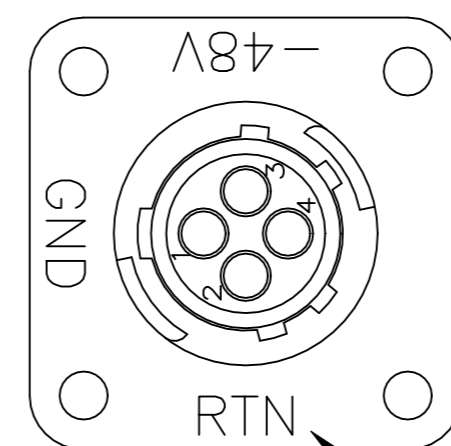
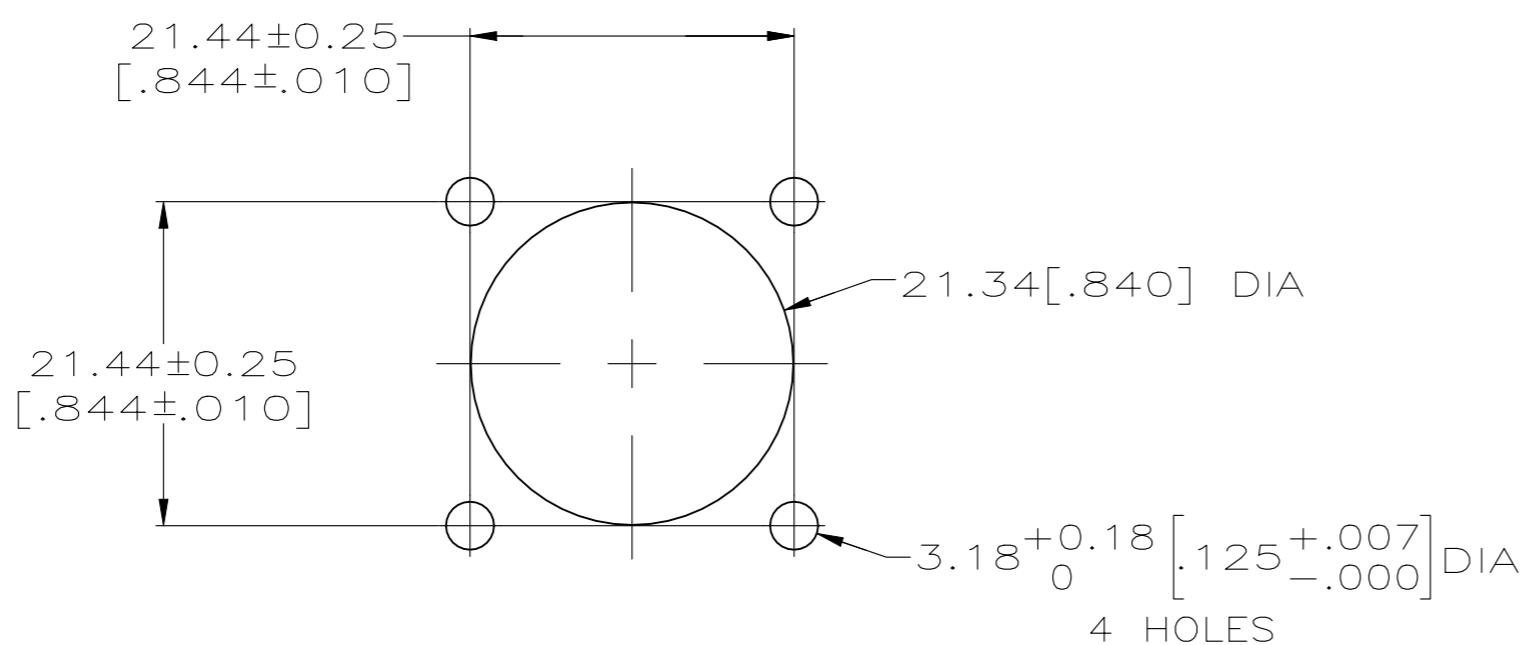
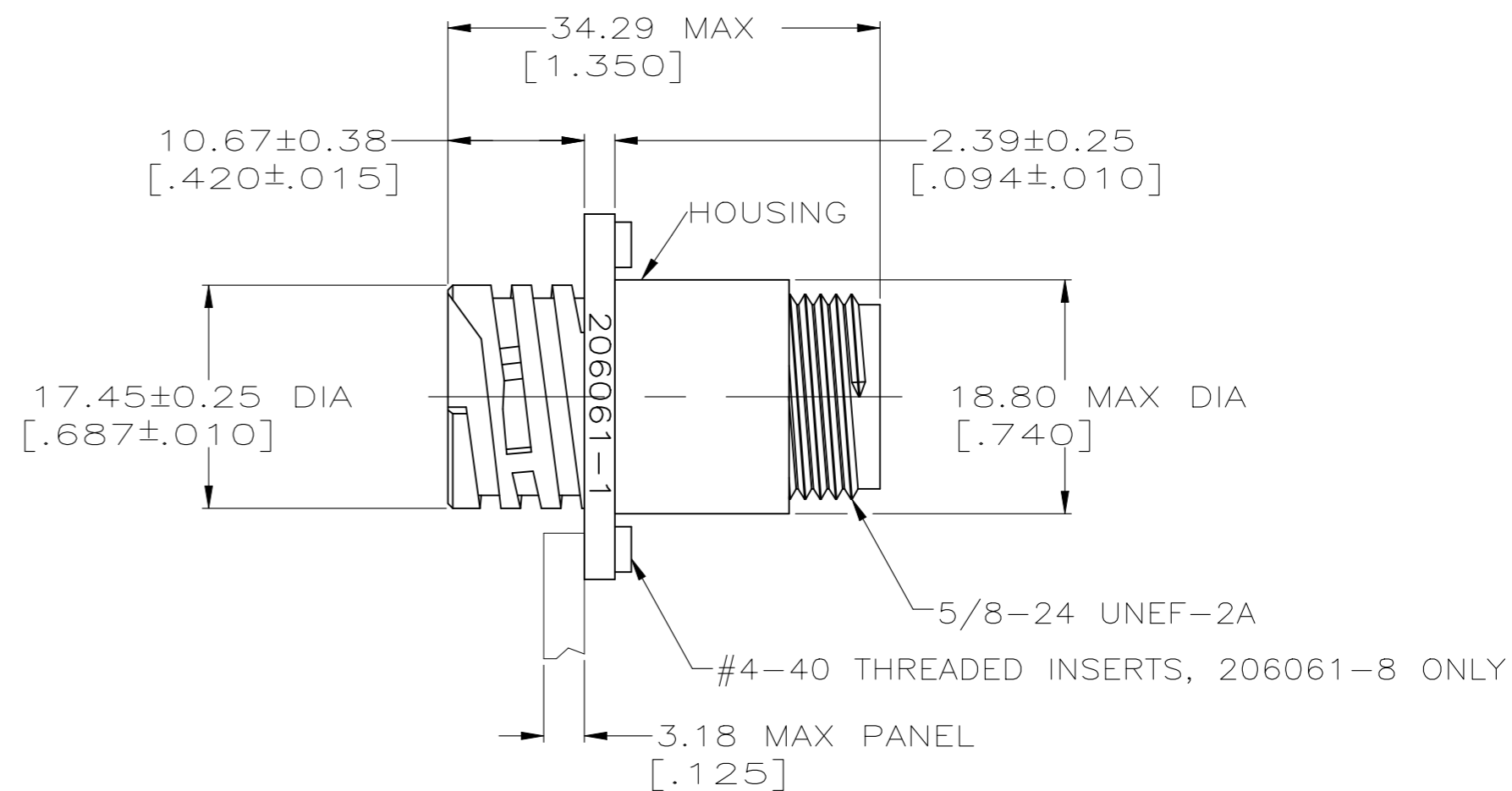
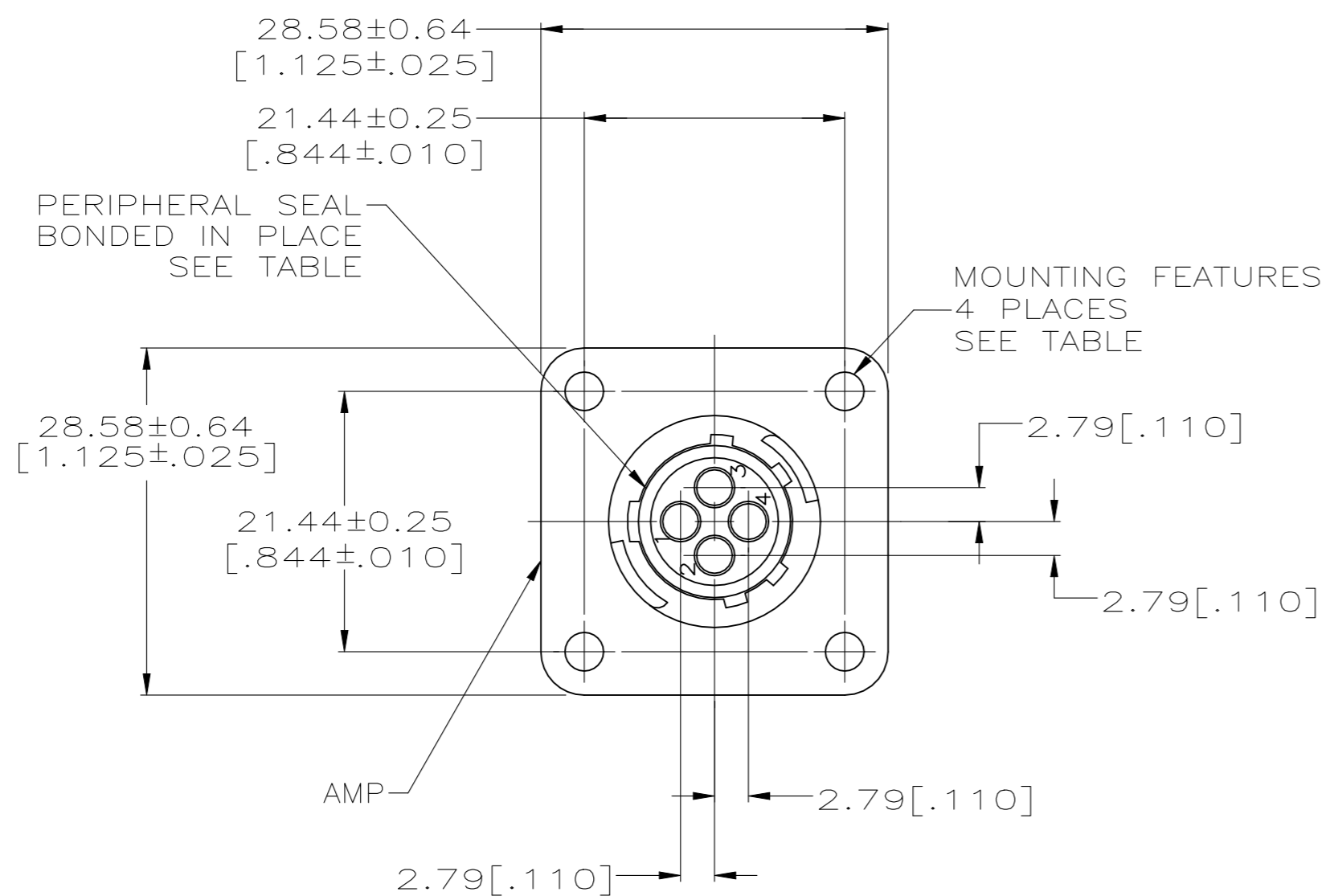


REVISIONS					
P	LTR	DESCRIPTION	DATE	DWN	APVD
H1		REVISED PER ECN-22-165832	22JUL2022	RK	MZ



DETAIL A
-5 ONLY
RTN, GND AND -48V MARKED WITH WHITE INK, .118 MAX.

RECOMMENDED PANEL CUTOUT

NOTES:

1. CAVITY IDENTIFICATION ON FRONT AND REAR FACE.
2. WILL ACCEPT FOUR (4) MULTIMATE PIN CONTACTS.



MATERIALS:
HOUSING: PA66, BLACK
PERIPHERAL SEAL: NITRILE BUTADIENE RUBBER, BLACK
THREADED INSERT: BRASS

OBSOLETE	#4-40 THREADED INSERT	-	STANDARD	NO	206061-8
OBSOLETE	Ø3.18 (.125) HOLES	DETAIL A	STANDARD	NO	206061-5
	Ø3.18 (.125) HOLES	-	SMALL PACK	NO	206061-3
		-	STANDARD	YES	206061-2
	MOUNTING FEATURES	-	STANDARD	NO	206061-1
		MARKING	PACKAGING	PERIPHERAL SEAL	PART NO.

THIS DRAWING IS A CONTROLLED DOCUMENT.		DWN	D.GELTZ	07/26/93		TE Connectivity		
DIMENSIONS: INCHES		CHK	R.STONE	08/11/93		RECEPTACLE HOUSING, STANDARD SEX, SHELL SIZE 11, CPC		
TOLERANCES UNLESS OTHERWISE SPECIFIED:		APVD	-	-		SIZE	CAGE CODE	DRAWING NO
0 PLC ± - 1 PLC ± - 2 PLC ± 0.13 [.005] 3 PLC ± - 4 PLC ± - ANGLES ± -		PRODUCT SPEC	108-10024			RESTRICTED TO	-	
MATERIAL		FINISH	-		WEIGHT	-		
		CUSTOMER DRAWING		SCALE	2:1	SHEET	1 OF 1	
				REV	H1			