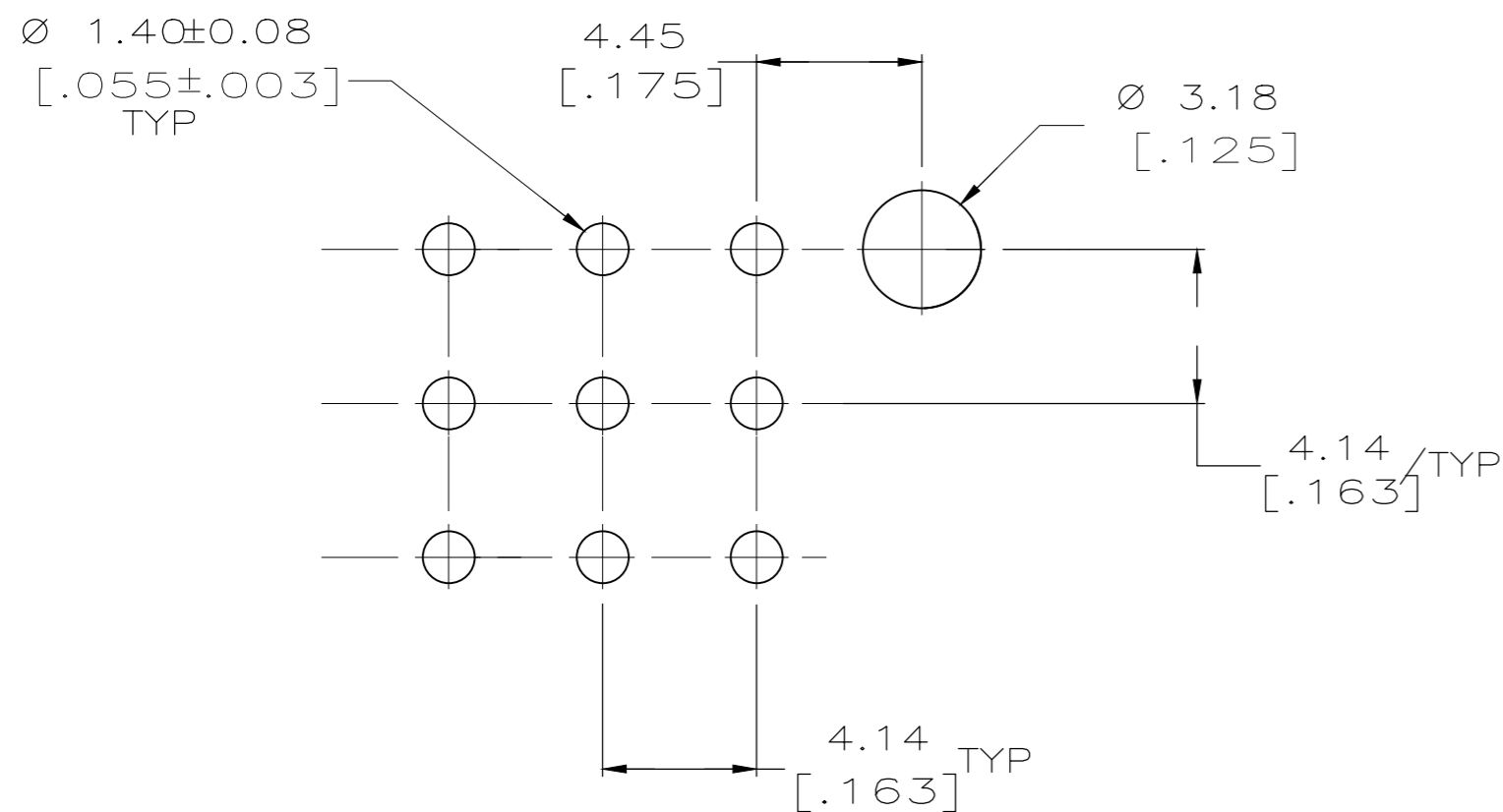
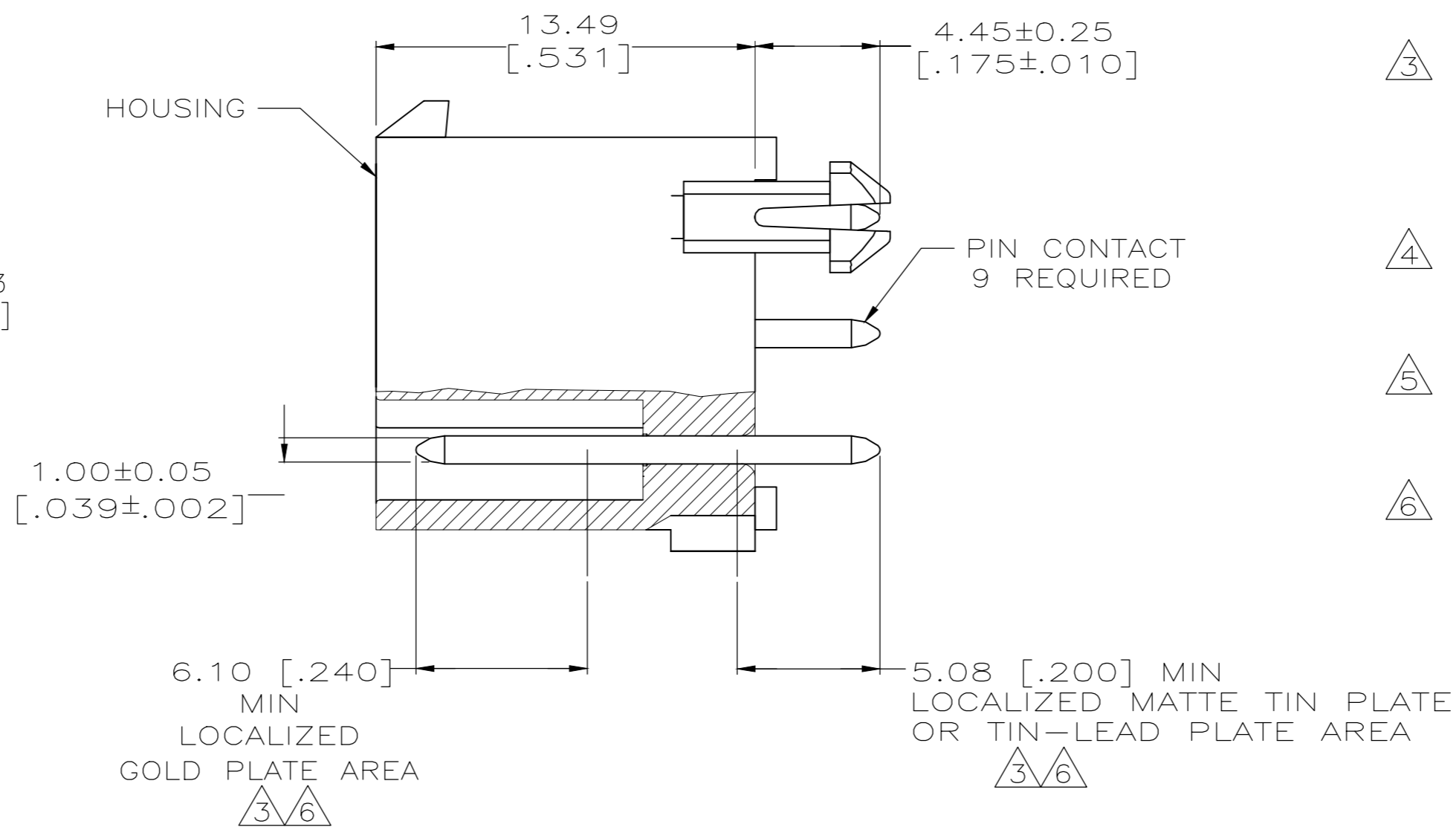
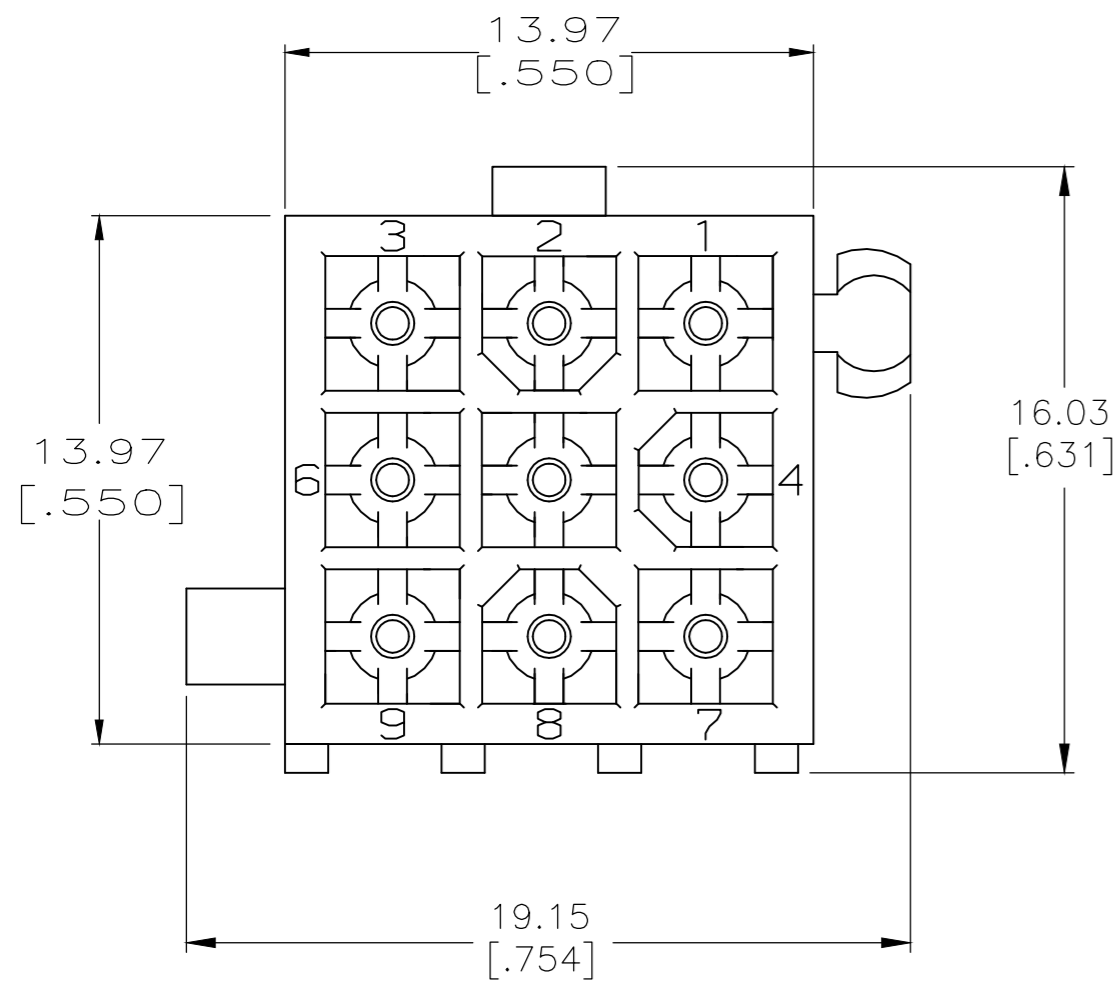


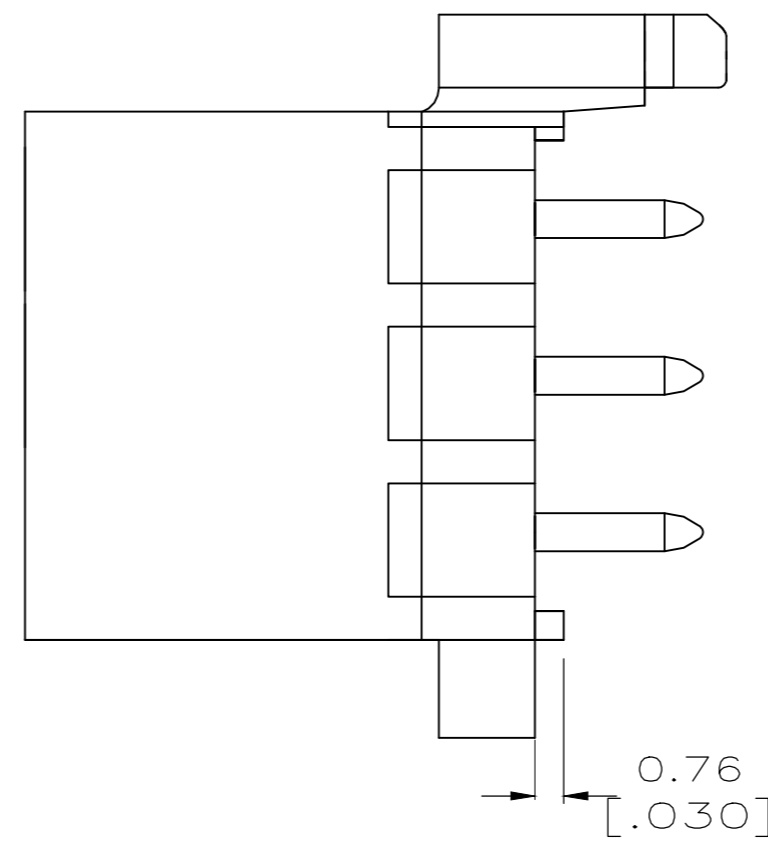
THIS DRAWING IS UNPUBLISHED. RELEASED FOR PUBLICATION
 © COPYRIGHT - TE Connectivity Ltd. ALL RIGHTS RESERVED.

REVISIONS					
P	LTR	DESCRIPTION	DATE	DWN	APVD
G1		REVISED PER ECO-18-019906	20DEC2018	RS	SG



RECOMMENDED LAYOUT FOR 1.57 [.062] THICK BOARD
 TOLERANCES NON-ACCUMULATIVE

- PINS TO COMPLY WITH AMP SOLDERABILITY SPEC. 109-11-3.
- DIMENSIONS SHOWN IN BRACKETS ARE IN INCHES.
- 0.00076 [.000030] MIN GOLD PLATE IN THE LOCALIZED GOLD PLATE AREA, 0.00381 [.000150] MATTE TIN LEAD IN THE LOCALIZED TIN LEAD PLATE AREA, BOTH OVER 0.00127 [.000050] MIN NICKEL.
- 0.00381 [.000150] MATTE TIN LEAD OVER 0.00127 [.000050] MIN NICKEL ENTIRE LENGTH OF PIN.
- 0.00381 [.000150] MATTE TIN OVER 0.00127 [.000050] MIN NICKEL ENTIRE LENGTH OF PIN.
- 0.00076 [.000030] MIN GOLD PLATE IN THE LOCALIZED GOLD PLATE AREA, 0.00381 [.000150] MATTE TIN IN THE LOCALIZED TIN PLATE AREA, BOTH OVER 0.00127 [.000050] MIN NICKEL.



BRASS	6	NYLON, UL94V-0	WHITE	1-770876-1
BRASS	5	NYLON, UL94V-0	WHITE	1-770876-0
BRASS	3	NYLON, UL94V-0	WHITE	770876-2
BRASS	4	NYLON, UL94V-0	WHITE	770876-1
MATERIAL	FINISH	MATERIAL	COLOR	PART NO.
PIN		HOUSING		

THIS DRAWING IS A CONTROLLED DOCUMENT.

DWN S CARPENTER 29JUL2003	09JUN05		
CHK R JONES	29JUL2003		
APVD R JONES	29JUL2003	NAME	
TOLERANCES UNLESS OTHERWISE SPECIFIED:		HEADER ASSEMBLY CLOSED BOTTOM, 9 CKT, MINI UNIVERSAL MATE-N-LOK	
DIMENSIONS: mm		SIZE	CAGE CODE
0 PLC ± - 1 PLC ± - 2 PLC ± 0.13 3 PLC ± - 4 PLC ± - ANGLES ± -		DRAWING NO	RESTRICTED TO
MATERIAL	FINISH	WEIGHT	SCALE
-	-	0.000000	5:1
CUSTOMER DRAWING		SIZE	SHEET
		A2 00779	1 of 1
		SCALE	REV
		5:1	G1