



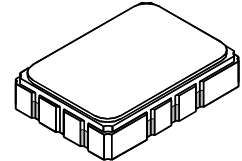
AEC-Q200
 This component was always
 RoHS compliant from the first
 date of manufacture.

- **Low Insertion Loss**
- **5.0 x 7.0 mm Surface-Mount Case**
- **Complies with Directive 2002/95/EC (RoHS)**



SF2059B-1

**137.50 MHz
 SAW Filter**



SMP-03

Absolute Maximum Ratings

Rating	Value	Units
Maximum Incident Power in Passband	+10	dBm
Maximum DC Voltage Between any 2 Terminals	30	VDC
Storage Temperature Range	-40 to +85	°C
Maximum Soldering Temperature	265°C for 10 s	

Electrical Characteristics

Characteristic	Sym	Notes	Min	Typ	Max	Units
Nominal Center Frequency	f_c	1	137.50			MHz
Minimum Insertion Loss	IL			8.3	9.1	dB
1 dB Bandwidth	BW_1	1, 2	0.80	0.86		MHz
3 dB Bandwidth	BW_3	1		1.0		
Amplitude Ripple, 137.1 to 137.9 MHz		1, 2		0.85	1.3	dB _{P-P}
40 dB Bandwidth						7.0
Operating Temperature Range	T_A	1	-40		+85	°C
Input and Output Impedance			L-C Match to 50 ohms			
Case Style		5	SMP-03 7 x 5 mm Nominal Footprint			
Lid Symbolization (YY=year, WW=week, S=shift)			RFM, SF2059B-1, YYWWS			

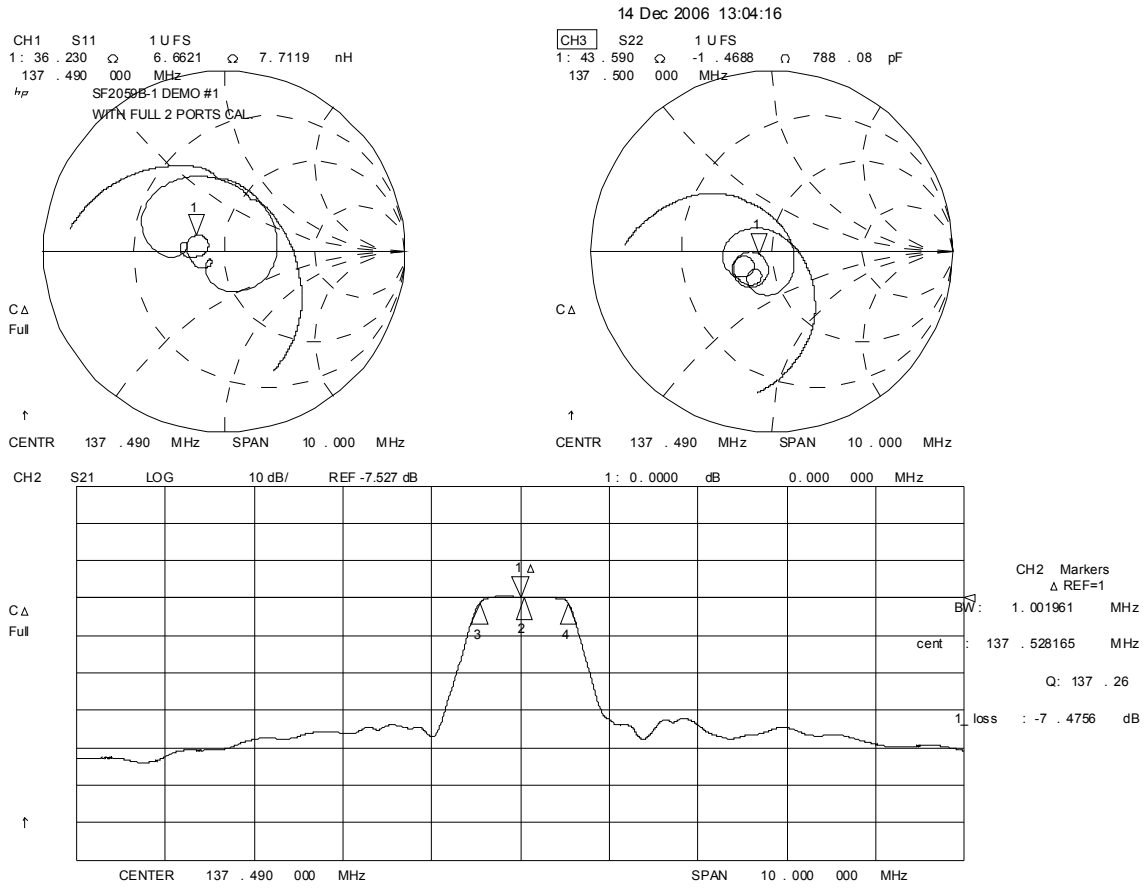


CAUTION: Electrostatic Sensitive Device. Observe precautions for handling.

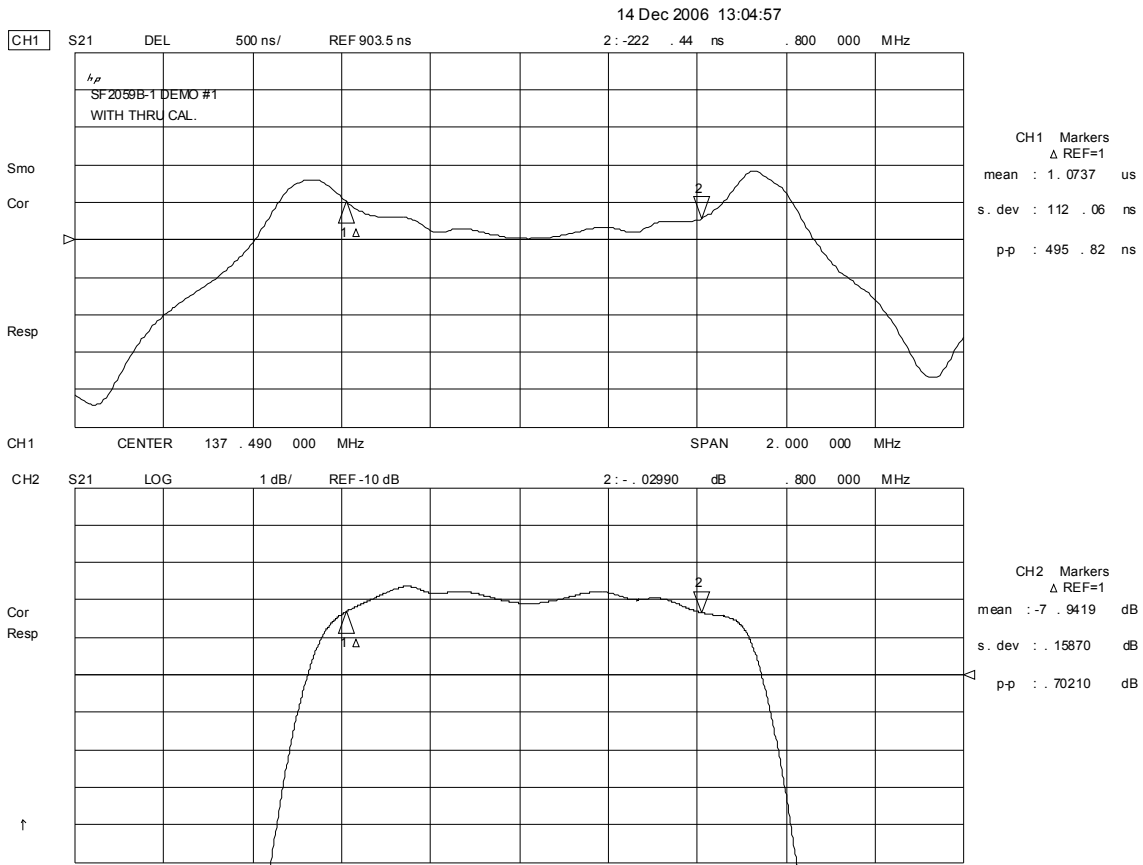
NOTES:

1. The design, manufacturing process, and specifications of this device are subject to change.
2. US or International patents may apply.

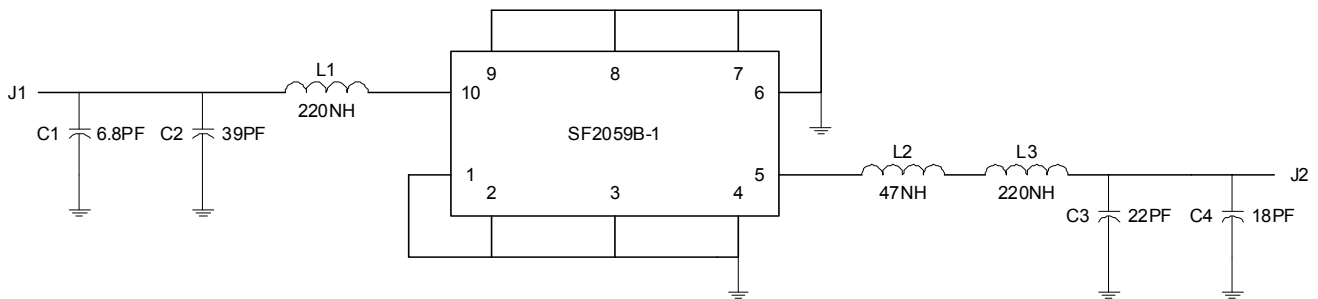
SF2059B-1 Amplitude Response and Input/Output Impedance Plots



SF2059B-1 Passband Amplitude and Group Delay Plots



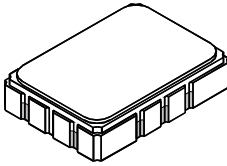
SF2059B-1 Test Circuit



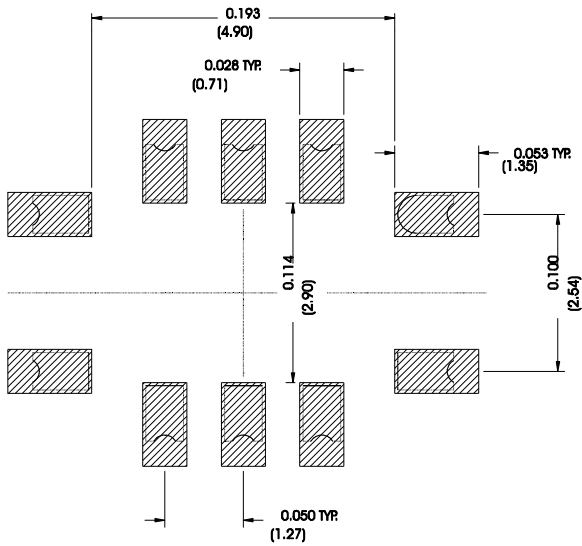
INDUCTOR, 1008CS
CAP, 0805

SMP-03 Case

10-Terminal Ceramic Surface-Mount Case 7 x 5 mm Nominal Footprint



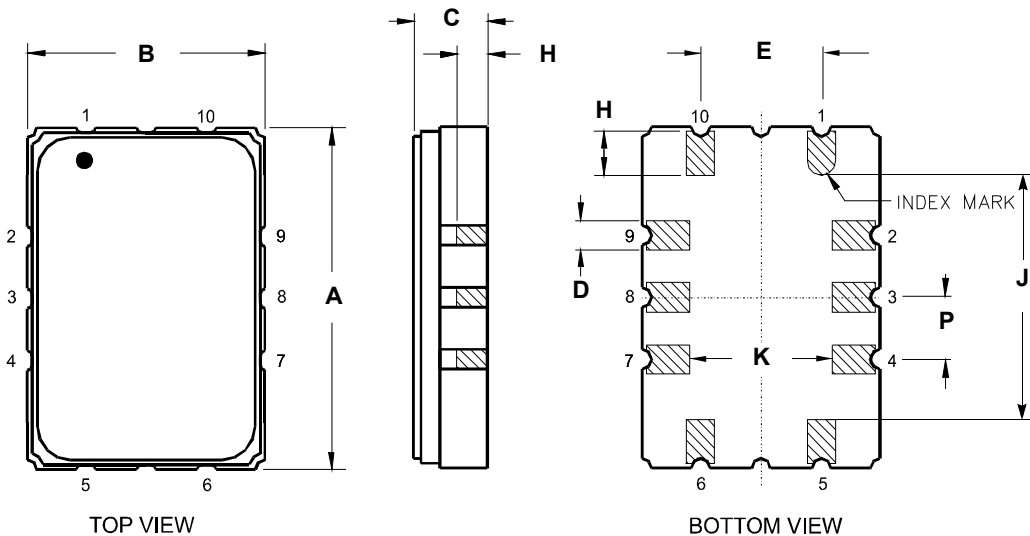
Recommended PCB Footprint



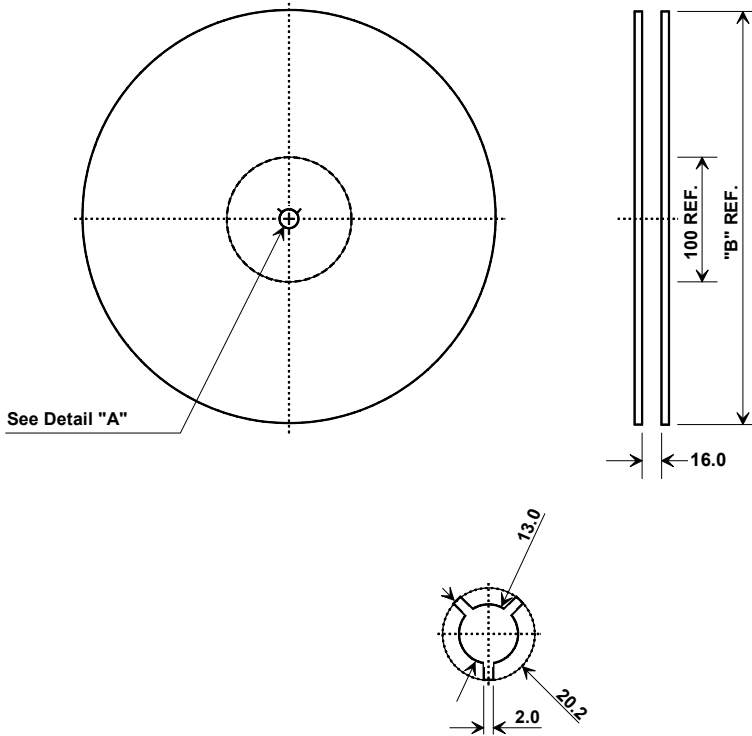
Dimension	mm			Inches		
	Min	Nom	Max	Min	Nom	Max
A	6.80	7.00	7.20	0.268	0.276	0.283
B	4.80	5.00	5.20	0.189	0.197	0.205
C	1.50	1.65	2.00	0.059	0.065	0.079
D	.47	0.60	.73	0.019	0.024	0.029
E	2.41	2.54	2.67	0.095	0.100	0.105
H	0.87	1.0	1.13	0.034	0.039	0.044
J	4.87	5.00	5.13	0.192	0.197	0.202
K	2.87	3.00	3.13	0.113	0.118	0.123
P	1.14	1.27	1.40	0.045	0.050	0.055

Materials	
Solder Pad Termination	Au plating 30 - 60 pinches (76.2-152 μm) over 80-200 pinches (203-508 μm) Ni.
Lid	Fe-Ni-Co Alloy Electroless Nickel Plate (8-11% Phosphorus) 100-200 pinches Thick
Body	Al ₂ O ₃ Ceramic
Pb Free	

Electrical Connections		Terminals
Port 1	Input or Return	10
	Return or Input	1
Port 2	Output or Return	5
	Return or Output	6
Ground		All others
Single Ended Operation		Return is ground
Differential Operation		Return is hot



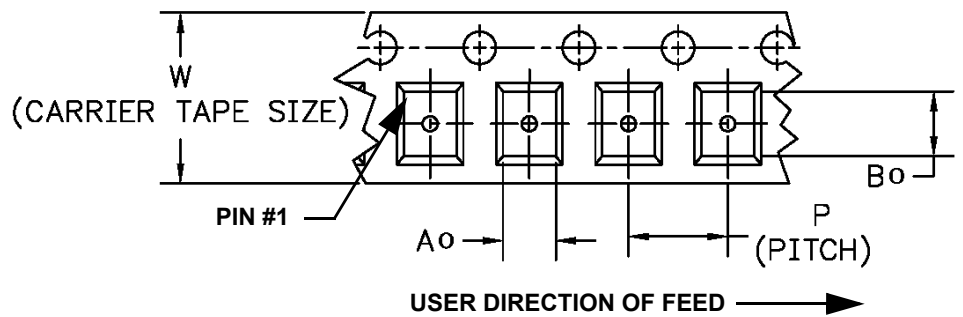
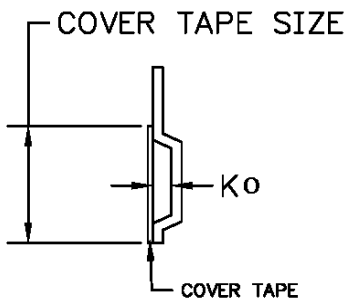
Tape and Reel Specifications



"B"		Quantity Per Reel
Inches	millimeters	
7	178	500
13	330	2000

COMPONENT ORIENTATION and DIMENSIONS

Carrier Tape Dimensions	
Ao	5.5 mm
Bo	7.5 mm
Ko	2.0 mm
Pitch	8.0 mm
W	16.0 mm



Recommended Reflow Profile

1. Preheating shall be fixed at 150~180°C for 60~90 seconds.
2. Ascending time to preheating temperature 150°C shall be 30 seconds min.
3. Heating shall be fixed at 220°C for 50~80 seconds and at 260°C+0/-5°C peak (10 seconds).
4. Time: 5 times maximum.

