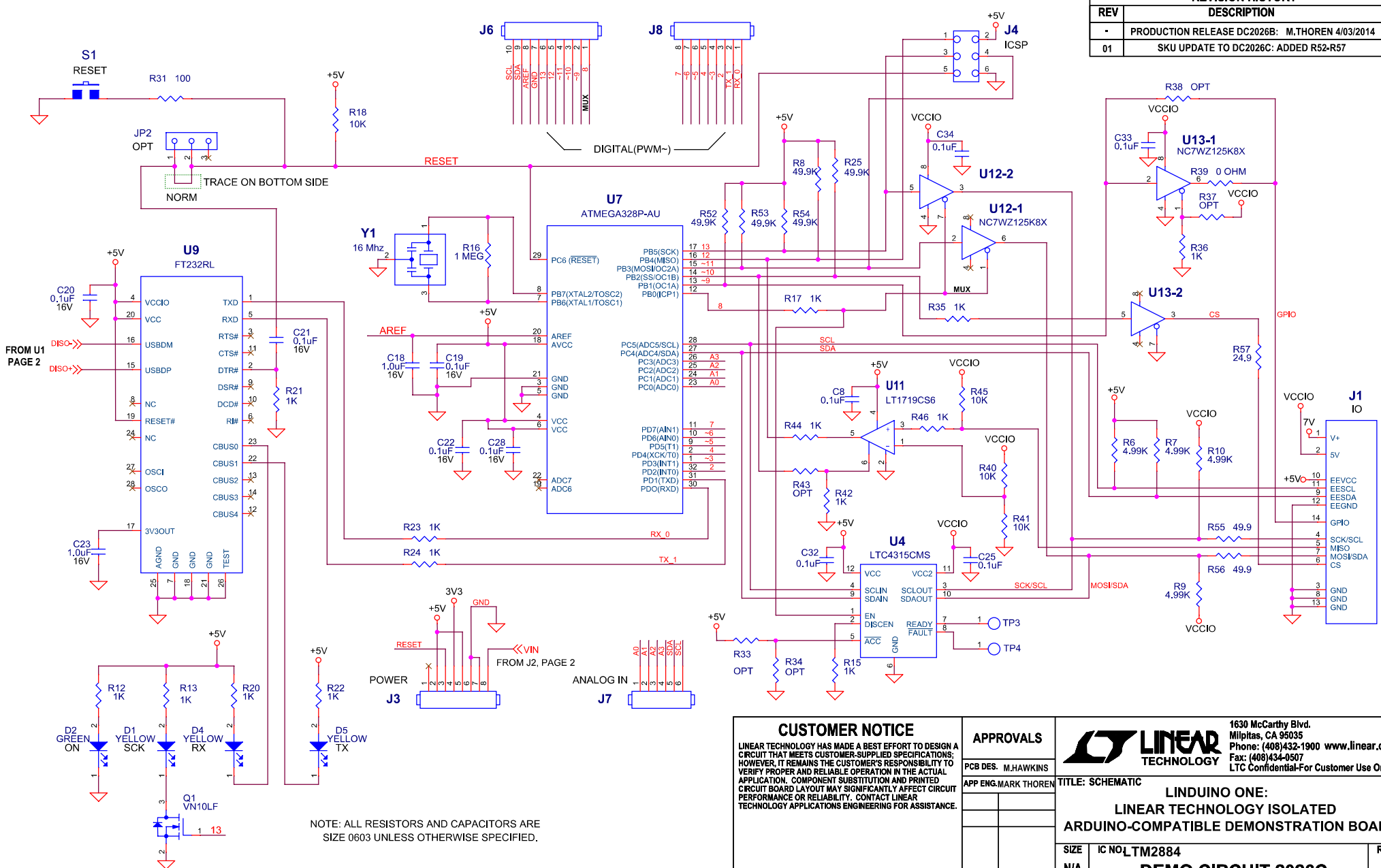


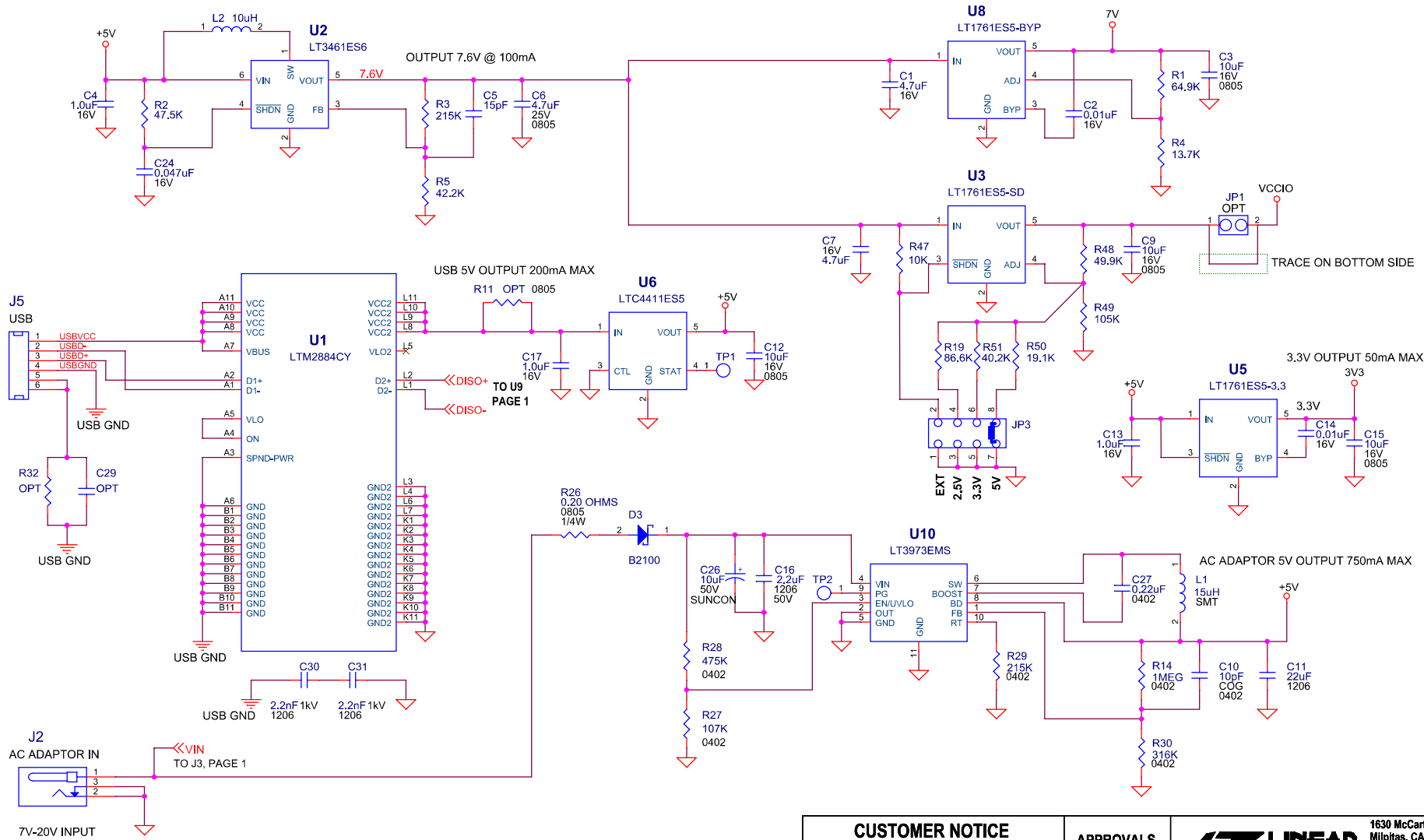
REVISION HISTORY	
REV	DESCRIPTION
-	PRODUCTION RELEASE DC2026B: M.THOREN 4/03/2014
01	SKU UPDATE TO DC2026C: ADDED R52-R57



FROM U1  
PAGE 2

NOTE: ALL RESISTORS AND CAPACITORS ARE SIZE 0603 UNLESS OTHERWISE SPECIFIED.

<p><b>CUSTOMER NOTICE</b></p> <p>LINEAR TECHNOLOGY HAS MADE A BEST EFFORT TO DESIGN A CIRCUIT THAT MEETS CUSTOMER-SUPPLIED SPECIFICATIONS; HOWEVER, IT REMAINS THE CUSTOMER'S RESPONSIBILITY TO VERIFY PROPER AND RELIABLE OPERATION IN THE ACTUAL APPLICATION. COMPONENT SUBSTITUTION AND PRINTED CIRCUIT BOARD LAYOUT MAY SIGNIFICANTLY AFFECT CIRCUIT PERFORMANCE OR RELIABILITY. CONTACT LINEAR TECHNOLOGY APPLICATIONS ENGINEERING FOR ASSISTANCE.</p>	<p><b>APPROVALS</b></p> <p>PCB DES: M.HAWKINS</p> <p>APP ENG: MARK THOREN</p>	<p><b>LINEAR TECHNOLOGY</b></p> <p>1630 McCarthy Blvd. Milpitas, CA 95035 Phone: (408)432-1900 www.linear.com Fax: (408)434-0507 LTC Confidential-For Customer Use Only</p>
	<p><b>TITLE: SCHEMATIC</b></p> <p><b>LINDUINO ONE: LINEAR TECHNOLOGY ISOLATED ARDUINO-COMPATIBLE DEMONSTRATION BOARD</b></p>	
<p>THIS CIRCUIT IS PROPRIETARY TO LINEAR TECHNOLOGY AND SUPPLIED FOR USE WITH LINEAR TECHNOLOGY PARTS.</p>	<p>SCALE = NONE</p>	<p>SIZE: IC NO. LTM2884</p> <p><b>REV. 1</b></p> <p><b>DEMO CIRCUIT 2026C</b></p>
<p>SHEET 1 OF 2</p>		<p>REV. 1</p>



**PCB MECHANICAL PARTS**

MP1	BUMPER, ADHESIVE-BACKED
MP2	BUMPER, ADHESIVE-BACKED
MP3	BUMPER, ADHESIVE-BACKED
MP4	BUMPER, ADHESIVE-BACKED

NOTE: ALL RESISTORS AND CAPACITORS ARE SIZE 0603 UNLESS OTHERWISE SPECIFIED.

**CUSTOMER NOTICE**

LINEAR TECHNOLOGY HAS MADE A BEST EFFORT TO DESIGN A CIRCUIT THAT MEETS CUSTOMER-SUPPLIED SPECIFICATIONS; HOWEVER, IT REMAINS THE CUSTOMER'S RESPONSIBILITY TO VERIFY PROPER AND RELIABLE OPERATION IN THE ACTUAL APPLICATION. COMPONENT SUBSTITUTION AND PRINTED CIRCUIT BOARD LAYOUT MAY SIGNIFICANTLY AFFECT CIRCUIT PERFORMANCE OR RELIABILITY. CONTACT LINEAR TECHNOLOGY APPLICATIONS ENGINEERING FOR ASSISTANCE.

**APPROVALS**

PCB DES: M.HAWKINS

APP ENG: MARK THOREN

SCALE = NONE



1630 McCarthy Blvd.  
Milpitas, CA 95035  
Phone: (408)432-1900 www.linear.com  
Fax: (408)434-0507  
LTC Confidential-For Customer Use Only

TITLE: SCHEMATIC  
**LINDUINO ONE:  
LINEAR TECHNOLOGY ISOLATED  
ARDUINO-COMPATIBLE DEMONSTRATION BOARD**

SIZE: N/A IC NO: LTM2884 REV: 1  
**DEMO CIRCUIT 2026C**

DATE: 05/29/2015

SHEET 2 OF 2

THIS CIRCUIT IS PROPRIETARY TO LINEAR TECHNOLOGY AND SUPPLIED FOR USE WITH LINEAR TECHNOLOGY PARTS.