

PROJECT NO.

USED ON

1393454-6

DWG NO

THIS INFORMATION IS CONFIDENTIAL AND PROPRIETARY TO AMP INCORPORATED AND ITS WORLDWIDE SUBSIDIARIES AND AFFILIATES. IT MAY NOT BE DISCLOSED TO ANY ONE, OTHER THAN AMP PERSONNEL WITHOUT WRITTEN AUTHORIZATION FROM AMP INCORPORATED, HARRISBURG, PENNSYLVANIA USA

# Produkt-Zeichnung für PN 1393454-6

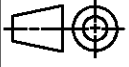
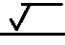
## EC Nr. V23542-C1052-Z100

### siehe 1411343

LOC

AI

DIST

						DWN <b>P. Spohr</b>	<b>26.10.01</b>	CHK <b>B. Leonhardt</b>	<b>26.10.01</b>	APVD <b>S. Glaser</b>	<b>26.10.01</b>		
						DIMENSIONS: mm			MATERIAL		HT TR		
							TOLERANCES UNLESS OTHERWISE SPECIFIED:			<b>tyco Electronics</b> tyco Electronics AMP GmbH D-64625 Bensheim			
A1	EG00-2717-00	26.10.01	PS	BL			<del>0 PLC ± -</del>	<del>1 PLC ± -</del>	<del>2 PLC ± -</del>	<del>3 PLC ± -</del>	<del>4 PLC ± -</del>	NAME <b>52 pol. Abdeckkappe fuer 80 pol. Motorstecker</b>	
P	LTR	REVISION RECORD	DATE	DWN	APVD	SURFACE TEXTURE 							
THIS DRAWING IS A CONTROLLED DOCUMENT FOR AMP INCORPORATED. IT IS SUBJECT TO CHANGE AND THE CONTROLLING ENGINEERING ORGANIZATION SHOULD BE CONTACTED FOR THE LATEST REVISION.						SCALE	SIZE/FMT <b>A4</b>	DRAWING NO <b>1393454-6</b>			SHEET <b>1</b>	OF <b>1</b>	REV <b>A1</b>