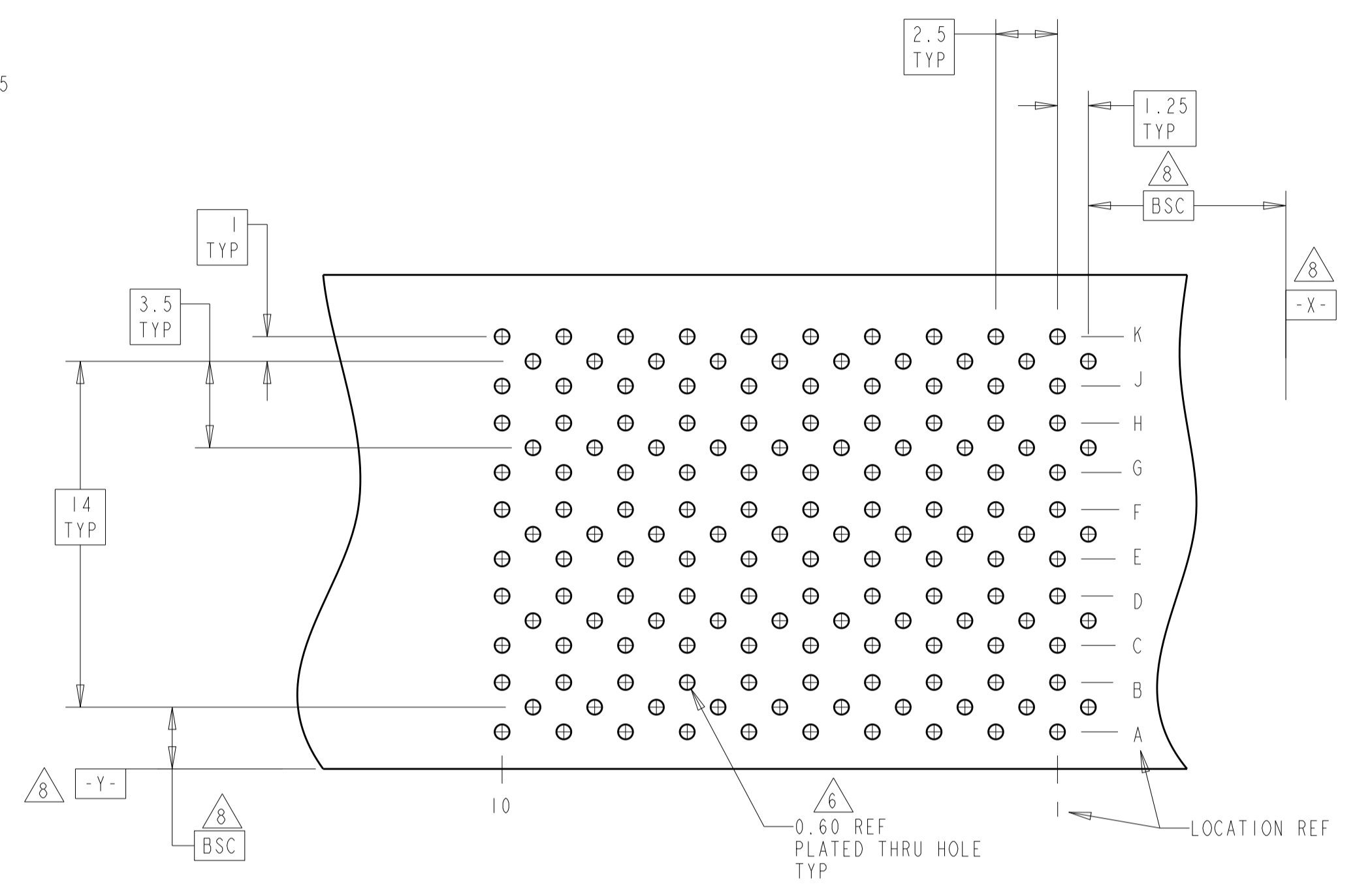
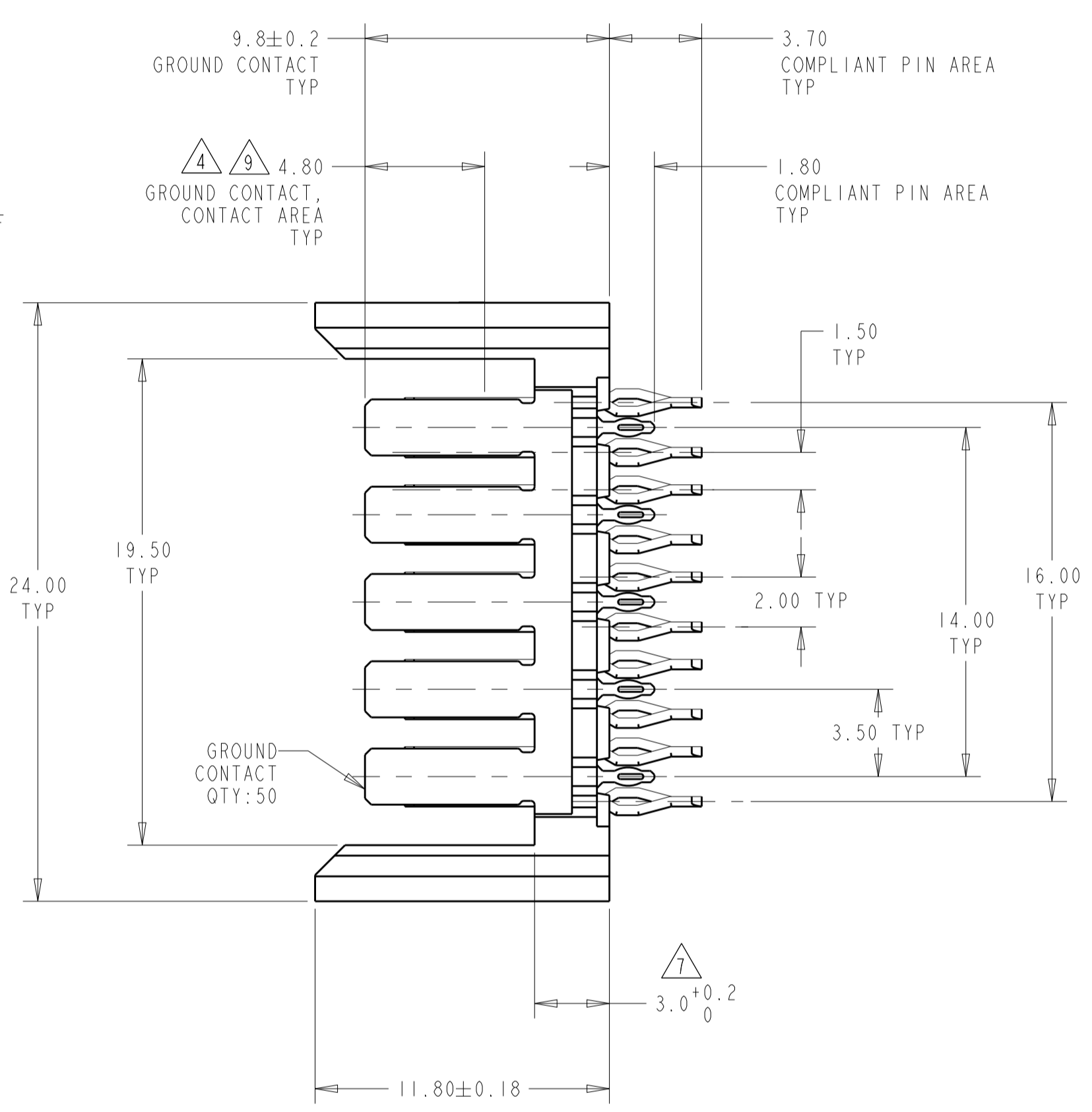
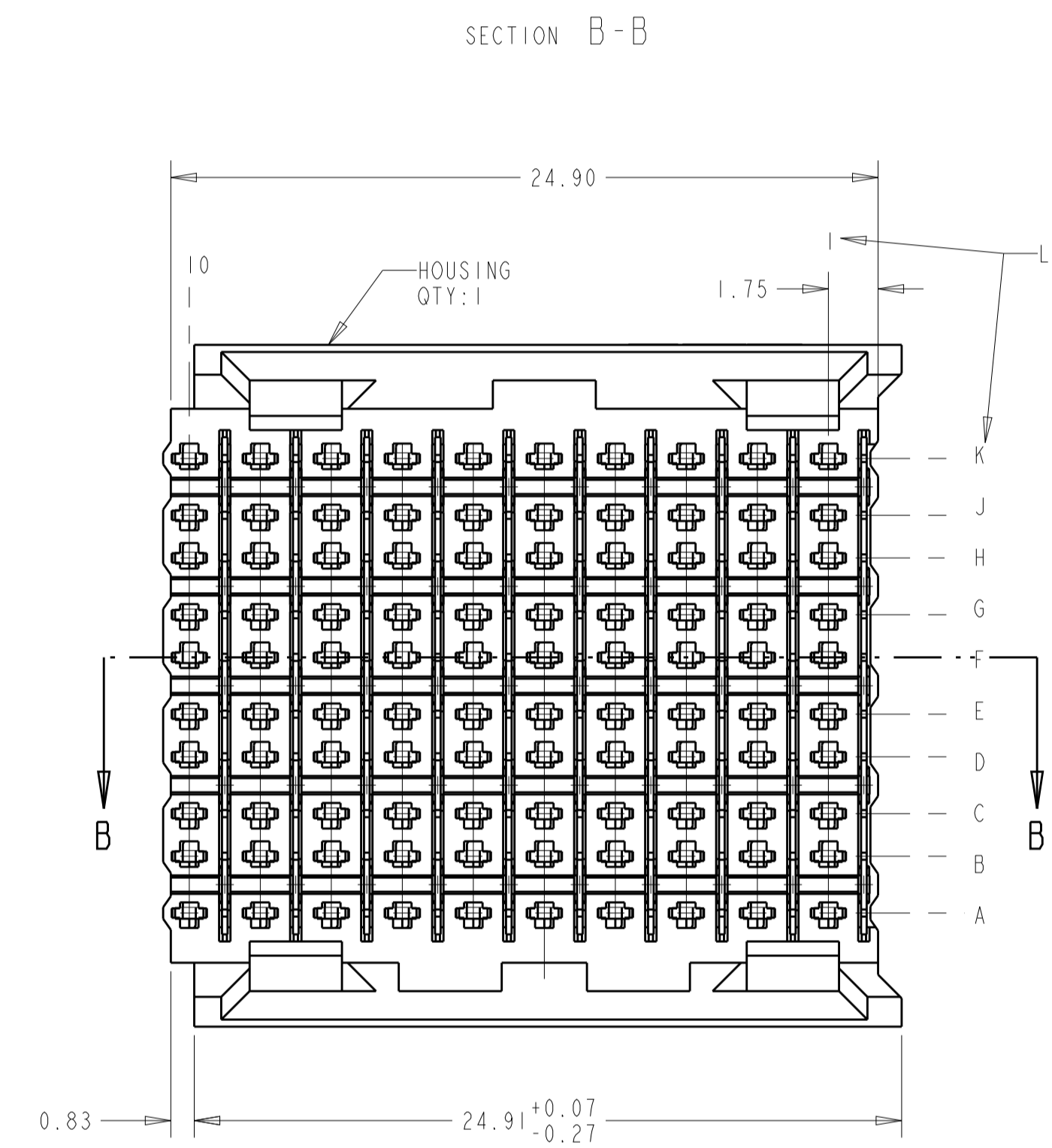
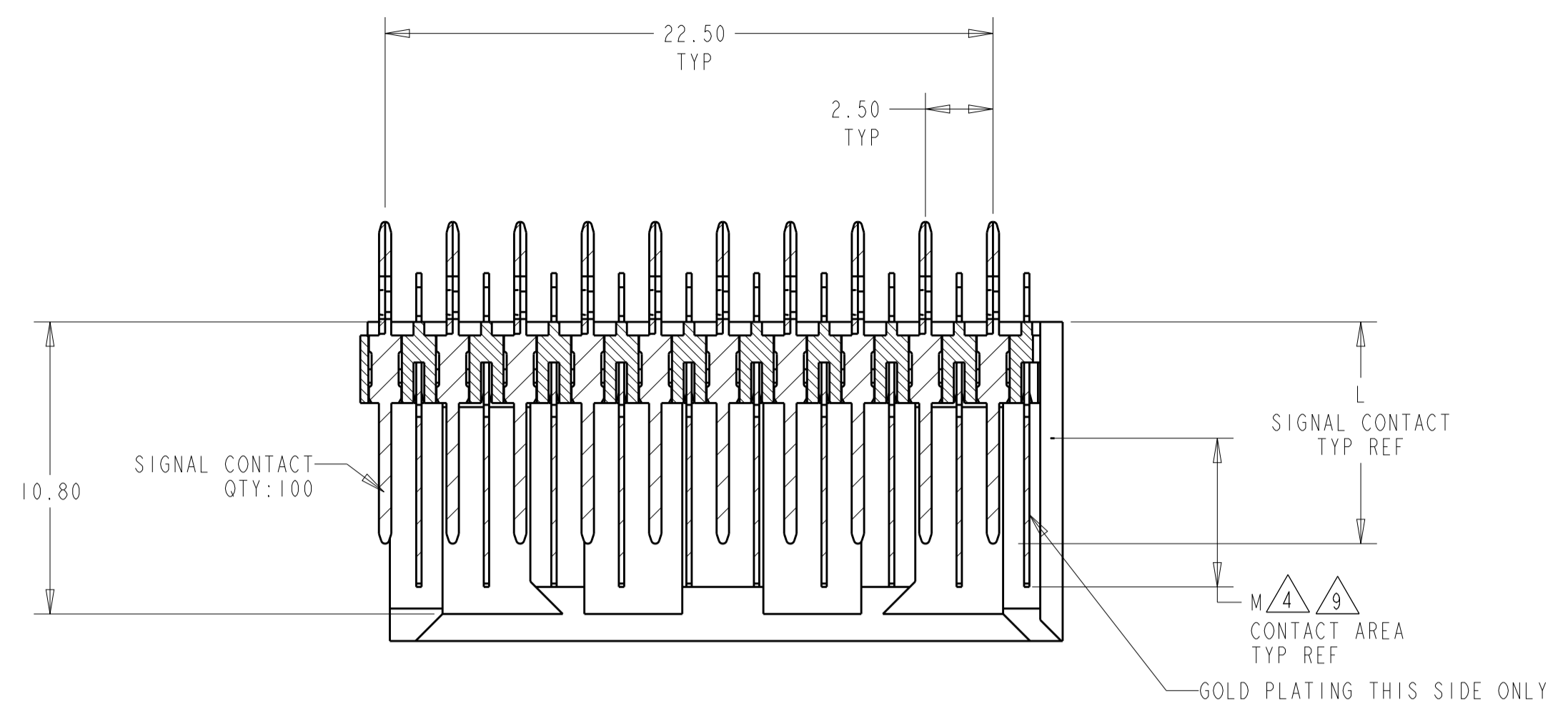
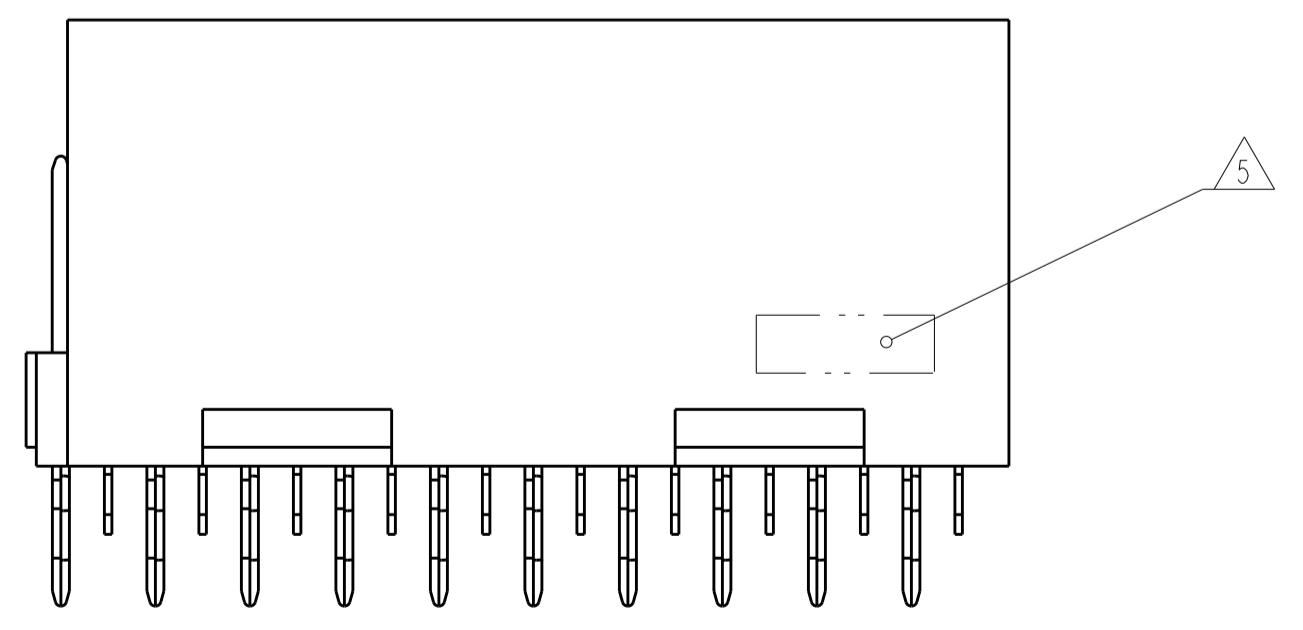


LOC		DIST		REVISIONS			
AD	00	P	LTN	DESCRIPTION	DATE	DWN	APVD
		B1		REVISED PER ECO-12-006972	29AUG2012	KH	JE

- 2 PHOSPHOR BRONZE
- 3 LCP, UL94V-0
- 4 FINISH:
CONTACT MATING AREA MEETS THE PERFORMANCE REQUIREMENTS OF
TE CONNECTIVITY PRODUCT SPECIFICATION 108-1957; BASED ON
TELCORDIA GR-1217-CORE, APPLICATIONS IN UNCONTROLLED ENVIRONMENTS.
COMPLIANT PIN AREA: 0.5µm MIN MATTE TIN OVER BASE PLATING.
- 5 CONNECTOR MARKED WITH PART NUMBER AND DATE CODE
- 6 REFERENCE APPLICATION SPEC 114-13020 FOR RECOMMENDED
PLATED THRU HOLE DIAMETER AND PLATING THICKNESS.
- 7 APPLICATION SEATING HEIGHT TO PRINTED CIRCUIT BOARD
- 8 DATUMS AND BASIC DIMENSIONS ESTABLISHED BY CUSTOMER
- 9 CONTACT AREA LUBRICATED WITH BELLCORE APPROVED LUBRICANT
TECHNICAL REFERENCE: GR-1217-CORE, ISSUE 1, NOVEMBER 1995



RECOMMENDED
PRINTED CIRCUIT BOARD
LAYOUT
COMPONENT SIDE OF PRINTED CIRCUIT BOARD



5.50	9.7	5120658-2
5.50	8.2	5120658-1
M	L	PART NUMBER

THIS DRAWING IS A CONTROLLED DOCUMENT.

DIMENSIONS:	TOLERANCES UNLESS OTHERWISE SPECIFIED:	DWN: B. CARBO 06DEC04	CHK: R. PATTERSON 06DEC04	APVD: R. PATTERSON 06DEC04	NAME: R. PATTERSON 06DEC04
mm	0 PLC ±	PRODUCT SPEC			
	1 PLC ±	APPLICATION SPEC			
	2 PLC ±0.13	SIZE: A1			
	3 PLC ±0.05	CAGE CODE: 00779			
	4 PLC ±	DRAWING NO: 5120658			
	ANGLES ±	RESTRICTED TO: B1			
MATERIAL:	FINISH:	WEIGHT:	CUSTOMER DRAWING		
HOUSING: 3			SCALE: 5:1 SHEET 1 OF 1		
CONTACTS: 2	SIGNAL CONTACT: 4				

STE TE Connectivity

HEADER ASSEMBLY, 100 POSN,
7-PACK HS3
BACKPLANE CONNECTOR